



FANLESS MINI COMPUTER

BCO-1000-ADLN

Basic Fanless Embedded Computer with Intel 12th[®] CPU, 1x DP, 2x COM, 2x LAN, 1x 2.5" Drive Bay

Features

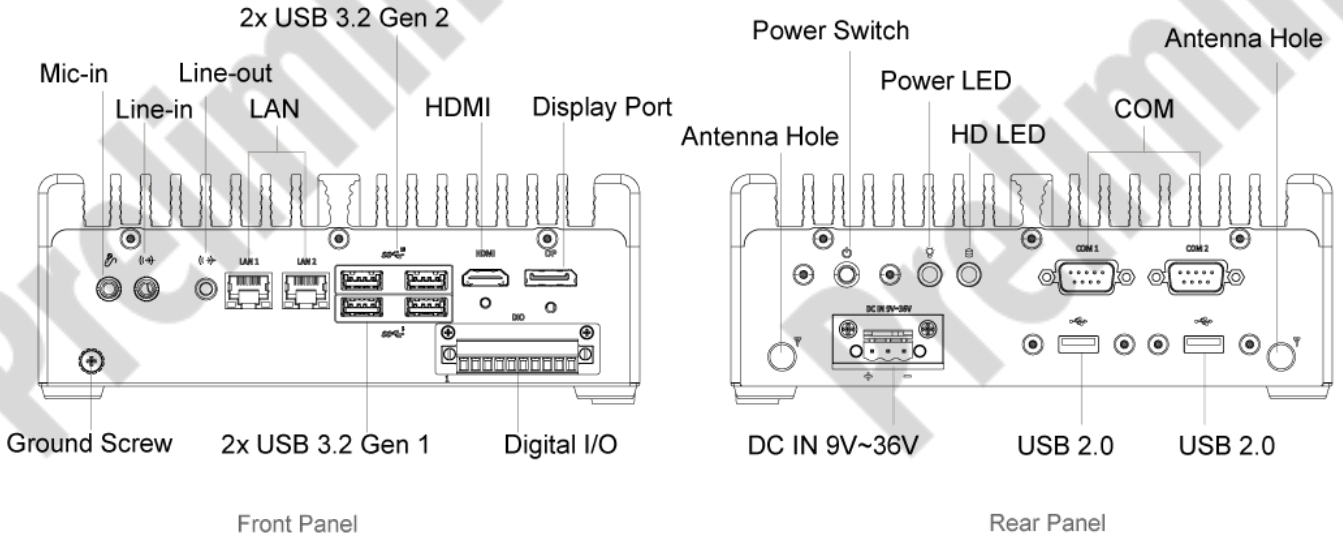
- Support 12th Gen Intel[®] IoTG Alder Lake-N Processor N97, QC, 12W
- DDR5 SODIMM. Max. up to 16GB (Default: 8GB)
- Dual Independent Display by 1x Display Port, 1x HDMI
- 2x Intel[®] I225-V 2.5GbE LAN
- 1x 2.5" Drive Bay
- 1x M.2 (B Key, (2242/ 2280/ 3042) (Default: 128GB M.2 SSD)
- 2x COM, 2x USB 3.2 Gen2, 2x USB 3.2 Gen1, 2x USB 2.0
- 9 to 36VDC Wide Range Power Input Supporting AT/ATX Mode
- Wide Operating Temperature 0°C to 50°C (12W CPU)
- TPM 2.0 Supported
- CE, FCC Class A



Specifications

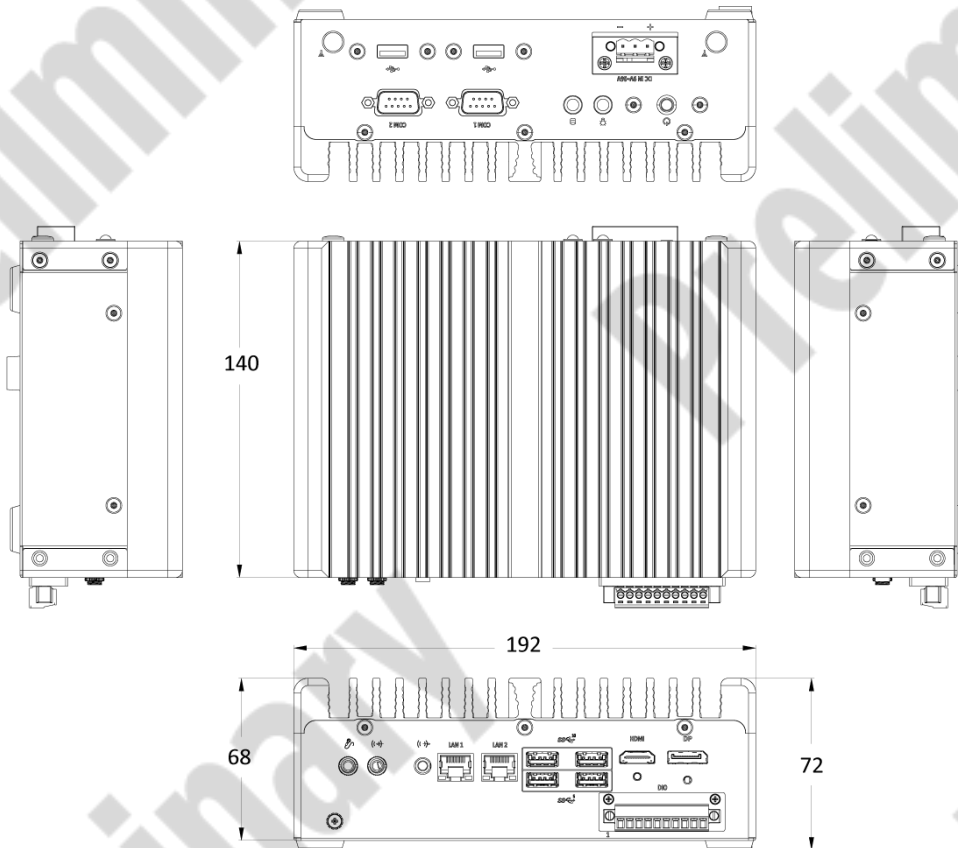
System		Power	
Processor	Support 12th Gen Intel [®] IoTG Alder Lake-N Processor N97, QC, 12W	Power Adapter	Optional AC/DC 24V/9.2A, 60W
System Chipset	SoC integrated	Power Mode	AT, ATX (Default ATX)
LAN Chipset	2x Intel [®] I225-V 2.5GbE LAN	Power Supply Voltage	9~36VDC
Audio Codec	Realtek ALC897	Power Connector	3-pin Terminal Block
System Memory	DDR5 4800MT/s SODIMM. Max. up to 16 GB (Default: 8GB)	Environment	
Graphics	Intel [®] UHD Graphics	Operating Temperature	0°C to 50°C (12W CPU) Tested according to: IEC60068-2-1:2007 (Cold test procedure) IEC60068-2-2:2007 (Dry heat test procedure) IEC60068-2-3:2007 (Damp heat, steady state, test procedure) IEC60068-2-14:2009 (Wide temperature range thermal shock)
BIOS	AMI UEFI BIOS	Storage Temperature	-30°C to 85°C
Watchdog	Software Programmable Supports 1~255 sec. System Reset	Relative Humidity	10% to 95% (non-condensing)
TPM	TPM 2.0	Certification	EMC: • CE • FCC Class A (47 CFR part 15.109 and part 15.107) • ICES-003 • UKCA Green Product: • RoHS 3.0 (Directive 2015/863/EU) • REACH
Display		Vibration	IEC60068-2-64:2008 With SSD: 5 Grms (5 - 500 Hz, 0.5 hr/axis) Designed to comply with MIL-STD-810G Method 514.7 Procedure I
Display Port	1x DisplayPort 1.4a Max Resolution 4096 x 2304 @60Hz	Shock	IEC60068-2-27:2008 With SSD: 50G half-sin 11ms Designed to comply with MIL-STD-810G Method 514.7 Procedure I Package Drop Test: ISTA 2A
HDMI	1x HDMI 1.4b Max Resolution 3840 x 2160 @30Hz	Physical	
Multiple Display	2x Independent Displays	Dimensions (WxDxH)	192 x 140 x 68mm
Storage		Construction	Extruded Aluminum with Heavy Duty Metal
M.2	1x M.2 B Key slot (2242/2280/3042) • Supports PCIe x1 signal • Supports B+M Key SSD • Default: 128GB	Mounting Options	Wall Mounting DIN-Rail Mounting (Optional)
SATA	1 x 2.5" Drive Bay (7mm or 9mm)		
Expansion			
M2	1x M.2 E Key slot (2230) (Support PCIe x1 & USB 2.0; Support CNVi) Devices Supported: Intel [®] AX210 Wi-Fi 6E & BT-5.1 (vPro Supported)		
I/O			
Audio	Line-in/Line-out/Mic-in		
COM	2x DB9 COM1: RS232/422/485 COM2: RS232"		
DIO	1x 8 GPIO		
LAN	2x RJ45 (2.5GbE)		
USB	2x USB 3.2 Gen2 2x USB 3.2 Gen1 2x USB 2.0 Type-A		
Others	2x Antenna Holes 1x Power button 1x HD LED 1x Power LED		
Operating System			
Windows	Windows 10/11		
Linux	Linux Kernel		

External I/O Mechanical Layout



Dimension

Unit: mm



Available Models

Model No.	Description
BCO-1000-ADLN	Basic Fanless Embedded Computer with Intel 12th® CPU, 1x DP, 2x COM, 2x LAN, 1x 2.5" Drive Bay

Optional Accessories

Model No.	Description
1-E09A06008	Adapter AC/DC 12V 5A 60W with 3pin Terminal Block Plug 5.0mm Pitch
SFICBL022	Power Cord, 3-pin US Type, 180cm
1-TPCD00002	Power Cord, European Type, 180cm
1-TPCD00001	Power Cord, 3-pin UK Type, 180cm
3-DINR-0004	Din Rail-2 Mounting Kit

Packing List

1x BCO-1000-ADLN Fanless Mini Computer
1x Wall Mount Kit
1x Accessory Kit