



FANLESS MINI COMPUTER

BCO-1010

Fanless Mini Computer with Intel® Celeron® J1900 Processor, 1x DVI-I, 2x COM, 1x 2.5" SATA HDD Bay



Features

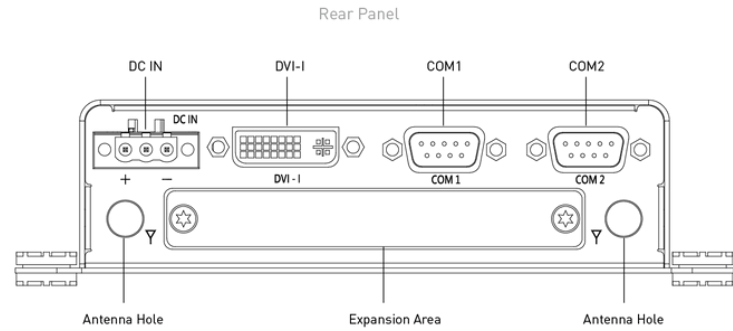
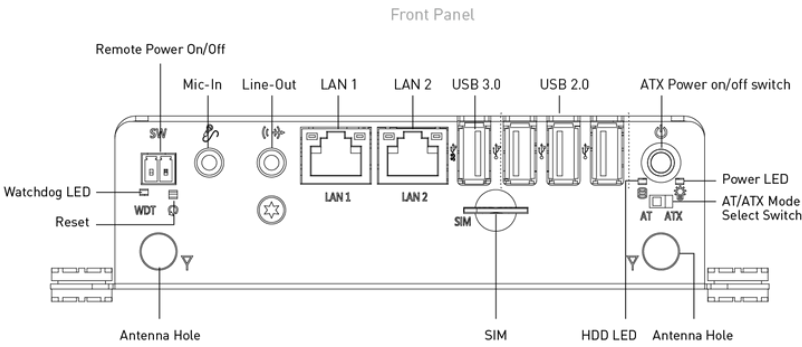
- Intel® Celeron® processor J1900, up to 2.0GHz
- 1x 204-pin DDR3L SODIMM. max up to 8GB
- Dual independent display supported by 1x DVI-I
- 2x Intel® GbE supporting Wake-on-LAN and PXE
- 1x 2.5" SATA HDD bay, 1x mSATA
- 2x full-size mini PCIe for communication or expansion modules, 1x SIM socket
- 2x RS-232/422/485, 1x USB 3.0, 3x USB 2.0
- 9 to 30VDC wide range power input supporting AT/ATX mode
- -20°C to 50°C extended operating temperature

Specifications

| System | |
|-----------------------|--|
| Processor | Intel® Celeron® Processor J1900, Quad Core, 2MB Cache, 2.0 GHz |
| System Chipset | SoC integrated |
| LAN Chipset | GbE1: Intel® I210-AT (Support Wake-on-LAN and PXE) |
| Audio Codec | Realtek ALC888S |
| System Memory | 1x 204-Pin DDR3L 1066/1333MHz SODIMM. Max up to 8GB |
| Graphics | |
| BIOS | AMI 64Mbit SPI BIOS |
| Watchdog | Software Programmable Supports 1~255 Sec. System Reset |
| Display | |
| DVI | 1x DVI-I |
| Multiple Display | Dual Display |
| VGA | Yes (by optional split cable) |
| Storage | |
| mSATA | 1x mSATA (shared by 1x Mini PCIe) |
| SIM Socket | 1x External SIM socket |
| SSD/HDD | 1x Internal 2.5" SATA HDD Bay |
| Expansion | |
| Mini PCIe | 1x Full-size Mini PCIe Socket with USIM Socket (PCIe + USB + SATA) 1x Full-size Mini PCIe Socket (PCIe + USB) |
| I/O | |
| Audio | 1x Mic-in, 1x Line-out |
| COM | 2x RS-232/422/485 |
| LAN | 2x RJ45 |
| USB | 1x USB 3.0, 3x USB 2.0 |
| Others | 4x WiFi Antenna Holes 1x Power Switch, 1x AT/ATX Switch |
| Operating System | |
| Windows | Windows 10, Windows 7, WES7 |
| Linux | Linux kernel 3.X |
| Power | |
| Power Adapter | Optional AC/DC 12V/5A, 60W |
| Power Mode | AT, ATX |
| Power Supply Voltage | 9~30 VDC |
| Power Connector | 3-pin Terminal Block |
| Power Protection | Over Voltage Protection (OVP) |
| Environment | |
| Operating Temperature | -20 °C to 50 °C |
| Storage Temperature | -30 °C to 70 °C |

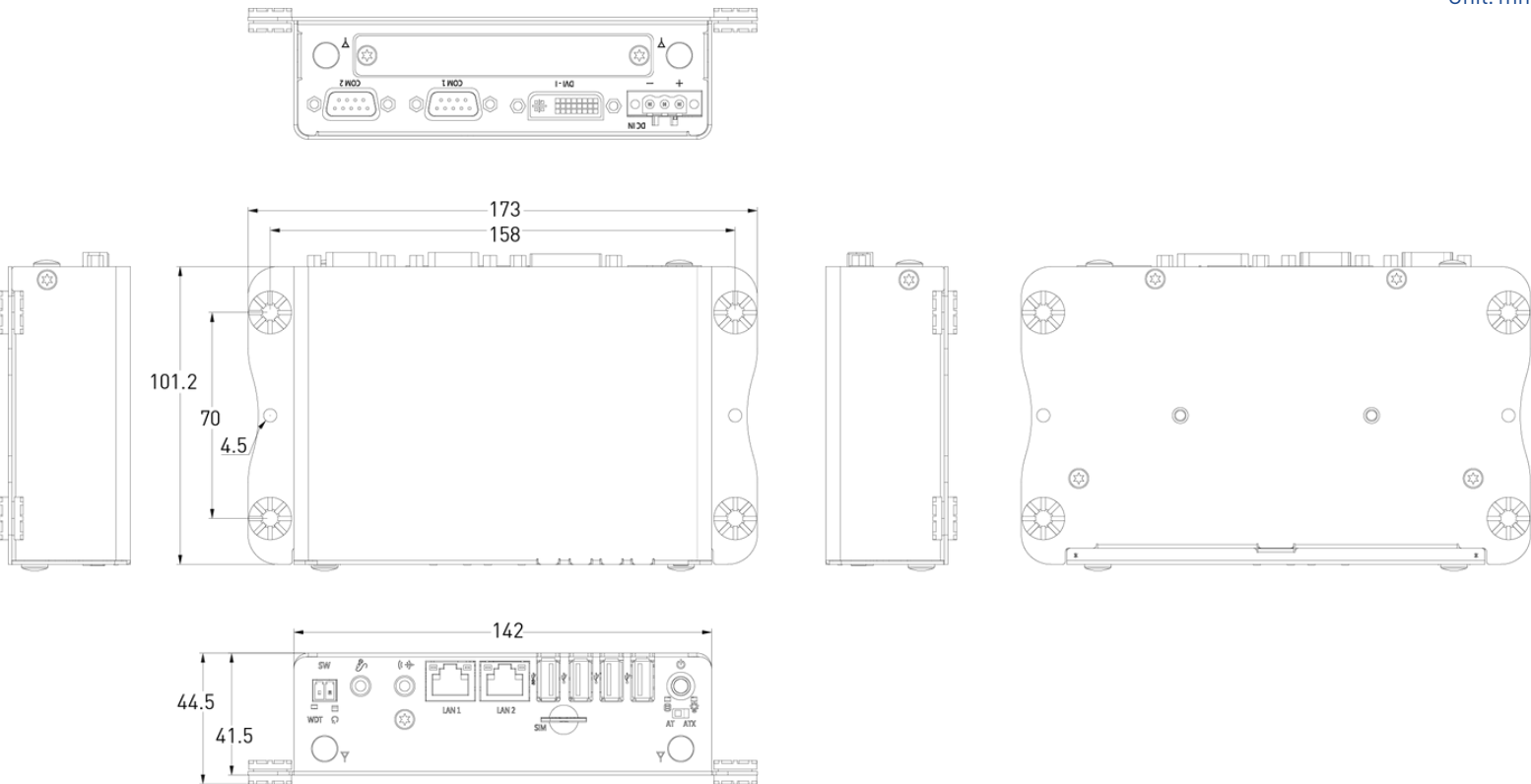
| Relative Humidity | 10% to 95% (non-condensing) |
|-------------------|--|
| Vibration | with SSD: 5 Grms, 5 - 500 Hz, 0.5 hr/axis with HDD: 1 Grms, 5 - 500 Hz, 0.5 hr/axis |
| Shock | with SSD: 50G, half sine, 11ms |
| Physical | |
| Dimensions | 142 (W) x 101 (D) x 41.5 (H) mm |
| Weights | 0.58kg |
| Construction | Fanless Design |
| Mounting Options | Wall Mounting |

External I/O Mechanical Layout



Dimension

Unit: mm



Available Models

| Model No. | Description |
|----------------|--|
| BCO-1010-J1900 | Basic Fanless Embedded System with Intel® Celeron® J1900 Processor, 1x DVI-I, 2x COM, 1x 2.5" SATA HDD Bay |

Optional Accessories

| Model No. | Description |
|-------------|--|
| 1-E09A06008 | Adapter AC/DC 12V 5A 60W with 3pin Terminal Block Plug 5.0mm Pitch |
| SFICBL022 | Power Cord, 3-pin US Type, 180cm |
| 1-TPCD00002 | Power Cord, European Type |
| 1-TPCD00001 | Power Cord, 3-pin UK Type, 180cm |
| 3-DINR-0003 | DIN-Rail Mount Kit |

Packing List

- 1x BCO-1010 Series Embedded System
- 1x Accessory Kit
- 1x DVI to VGA Adapter