

Features

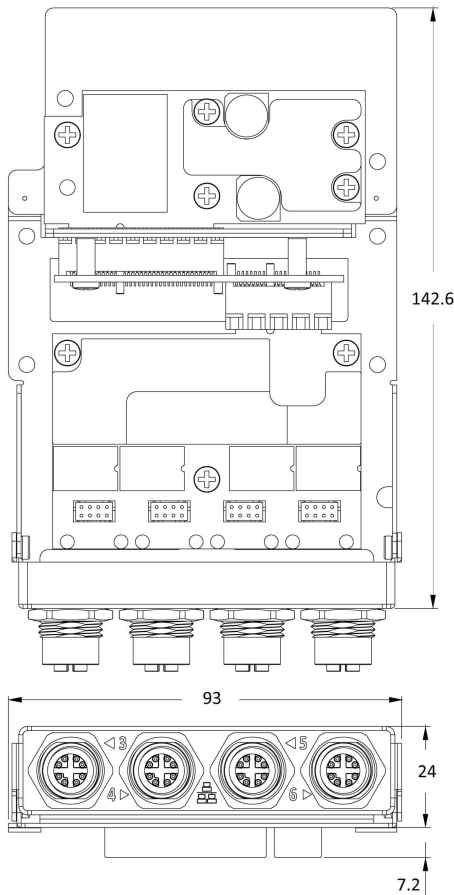
EDGEBoost I/O module supporting 4x locking GbE M12 LAN ports for industrial environments that require ingress protection from dust, debris, shock and vibration. Optional Power over Ethernet support is also available through an additional add-on module

- 4x 1GbE PoE M12 Ports
- Support Power over Ethernet through optional PoE module (up to 25.5 watt per port)
- Intel® Ethernet Controller I350
- PCIe x1 Gold Fingers Interface (PCIe 3.0 x4 Performance)
- Complies with IEEE 802.3at
- Occupies 1x EDGEBoost Bracket

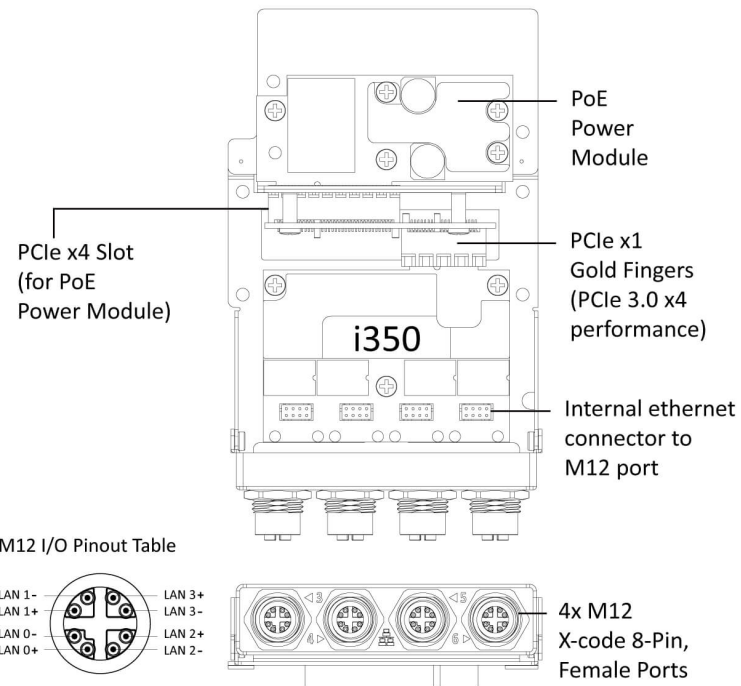
Specifications

LAN Chipset	Intel® Ethernet Controller I350
Interface	PCIe x1 gold finger (PCIe 3.0 x4 performance)
Additional I/O	4x M12 X-code 8-Pin, Female Ports
I/O Bracket	Occupies 1x EDGEBoost Bracket
Power Output	Up to 25.5 Watt per port
Special Features	Power-Over-Ethernet
Standards and	Complies with IEEE 802.3at
Certifications	UL, CE, FCC Class A

Dimension (Unit: mm)



External I/O Mechanical Layout



M12 I/O Pinout Table

LAN 1-	LAN 3+
LAN 1+	LAN 3-
LAN 0-	LAN 2+
LAN 0+	LAN 2-