



Features

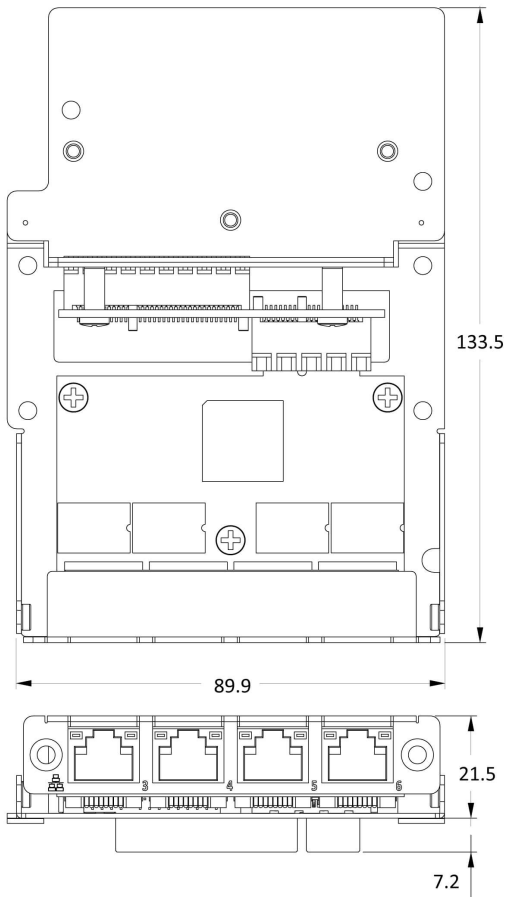
EDGEBoost I/O module supporting 4x GbE LAN ports for wired connectivity. Optional Power over Ethernet support is available through an additional add-on module

- 4x RJ45 1GbE LAN Ports
- Intel® Ethernet Controller I350
- PCIe x1 Gold Fingers Interface (PCIe 3.0 x4 Performance)
- Occupies 1x EDGEBoost Bracket

Specifications

LAN Chipset	Intel® Ethernet Controller I350
Interface	PCIe x1 gold finger (PCIe 3.0 x4 performance)
Additional I/O	4x RJ45 GbE LAN Ports
I/O Bracket	Occupies 1x EDGEBoost Bracket
Standards and Certifications	UL, CE, FCC Class A

Dimension (Unit: mm)



External I/O Mechanical Layout

