



Features

- Intel® Celeron® Processor J6413
- 1x 260-pin DDR4 SODIMM. max up to 32GB
- 1x 2.5" SATA HDD bay
- 1x mSATA, 2x SIM socket
- 1x full-size mini PCIe (USB 2.0, SATA)
- 2x LAN, 1x DisplayPort, 1x Dual Channel 24 bit LVDS
- 6x RS-232/422/485 (2x internal), 2x USB 3.2 Gen 2, 2x USB 2.0
- 8x DI + 8x DO with isolation
- 9 to 36VDC wide range power input
- 0°C to 60°C extended operating temperature

Specifications

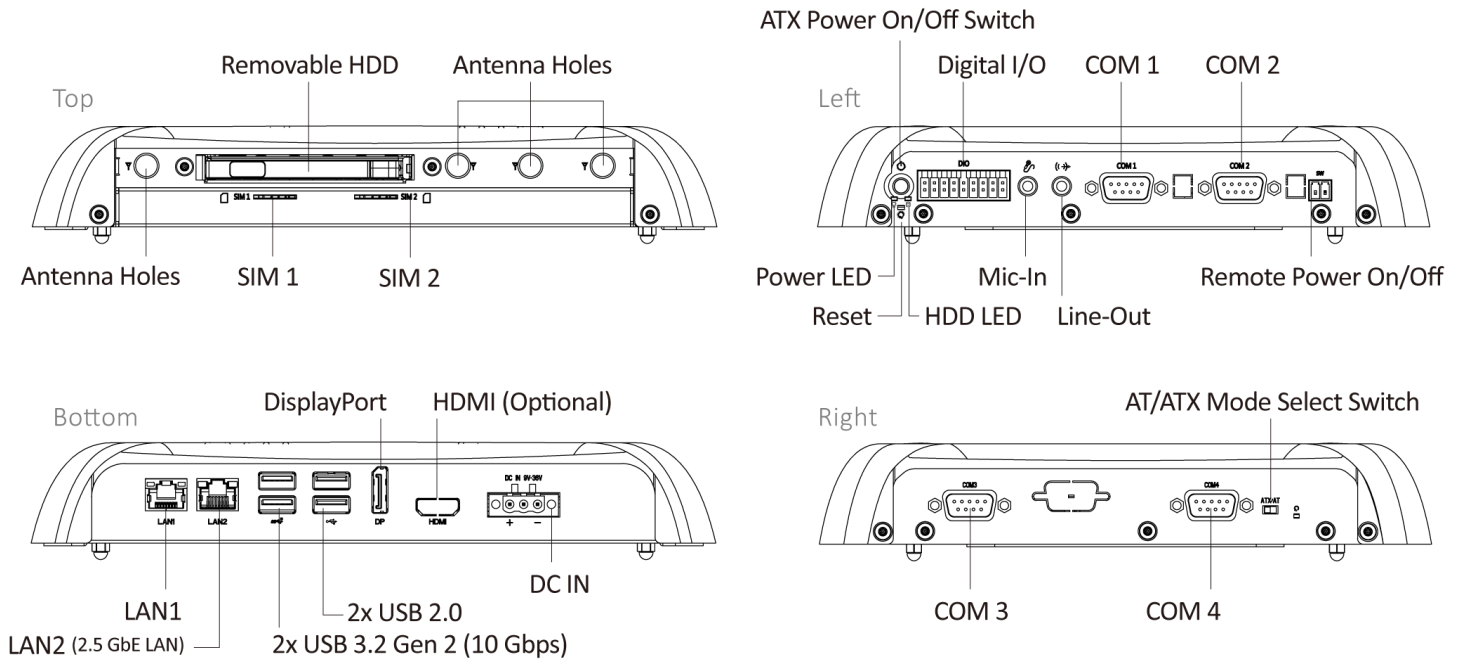
System	
Processor	Intel® Celeron® Processor J6413 4 core (1.5M Cache, 1.8GHz up to 3.00 GHz) FC-BGA16F, Tray 10W
System Chipset	SoC integrated
LAN Chipset	GbE1: Intel® I210 (Support Wake-on-LAN and PXE) 2.5 GbE2: Intel® I225 (Support Wake-on-LAN and PXE)
Audio Codec	Realtek ALC888S
System Memory	1x 260-Pin DDR4 2400/2667/3200MT/s SODIMM. Max. up to 32 GB
BIOS	AMI 128Mbit SPI BIOS
TPM	TPM 2.0
Watchdog	Software Programmable Supports 1~255 sec. System Reset
Display	
DisplayPort	1x DisplayPort 1.2 (4096 x 2160@60Hz)
HDMI	1x HDMI 2.0b (4096 x 2160@60Hz) (Optional)
LVDS	1x Dual Channel 24 bit LVDS
Multiple Display	Triple Display
Storage	
SSD/HDD	1x Removable 2.5" SATA HDD Bay
mSATA	1x mSATA
M.2	1x M.2 (E Key, PCIe x1, USB 2.0, 2230) 1x M.2 (B Key, PCIe x2 + USB 3.2 Gen1, 2242/3042/3052)
SIM Socket	2x External SIM socket
Expansion	
Mini PCI Express	1x Full-size Mini PCIe (USB 2.0, SATA)
I/O	
COM	4x RS-232/422/485 2x RS-232/422/485 (internal)
USB	2x USB 3.2 Gen 2 (10 Gbps) 4x USB 2.0 (2x Internal)
LAN	2x RJ45
Audio	1x Mic-in, 1x Line-out
DIO	8 in / 8 out (Isolated)
CAN	2x CAN 2.0 A/B 2-pin Header (Internal)
Others	4x WiFi Antenna Holes 1x Power Switch, 1x AT/ATX Switch, 1x Remote Power On/Off 1x DB9 Cutting Hole
Operating System	
Windows	Windows 10, Windows 11
Linux	Linux kernel 5.X
Power	
Power Mode	AT, ATX
Power Supply Voltage	9~36VDC
Power Ignition Sensing	Power Ignition Management (by Optional Module)

Power Connector	3-pin Terminal Block
Power Adapter	Optional AC/DC 12V/5A, 60W
Power Protection	OVP (Over Voltage Protection) OCP (Over Current Protection) Reverse Protection

Environment	
Operating Temperature	0°C to 60°C
Storage Temperature	-20°C to 70°C
Relative Humidity	10% to 95% (non-condensing)
Certification	CE, FCC Class A
Vibration	With SSD: 3 Grms, 5 - 500 Hz, 0.5 hr/axis With HDD: 1 Grms, 5 - 500 Hz, 0.5 hr/axis
Shock	With SSD: 20G, half sine, 11ms

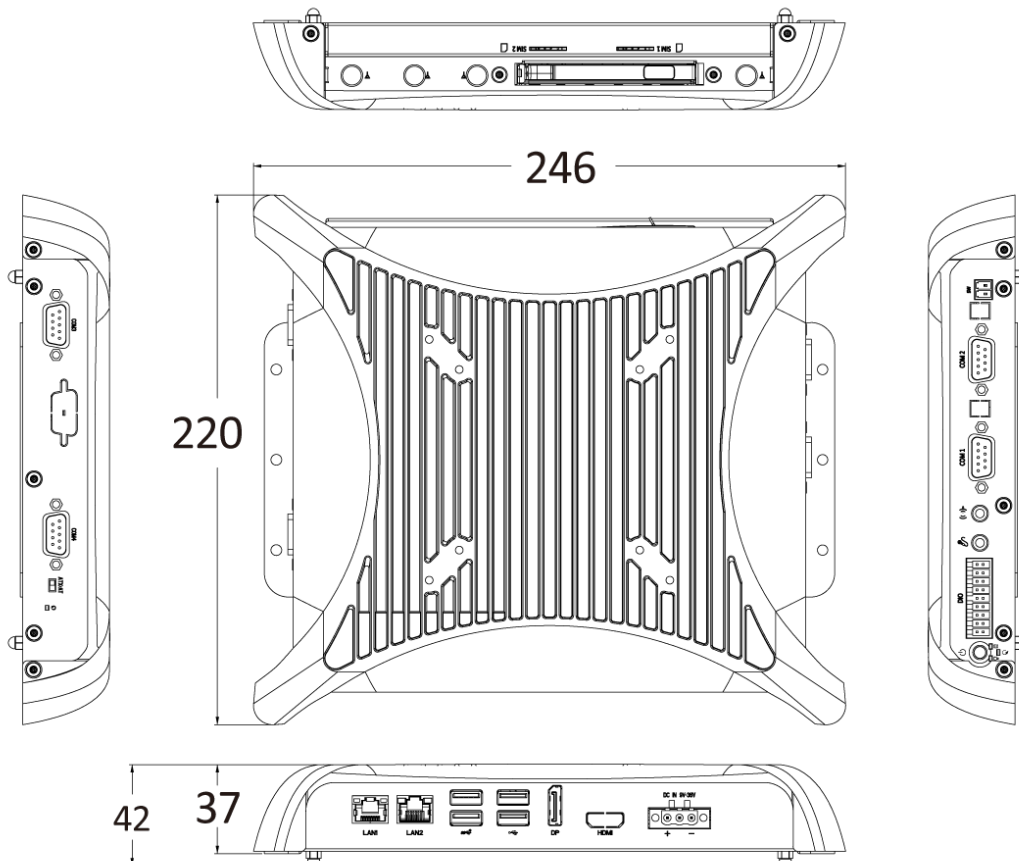
Physical	
Dimensions	246 (W) x 220 (D) x 42 (H) mm
Weights	1.57Kg
Construction	Extruded Aluminum with Heavy Duty Metal
Mounting Options	VESA Mounting Holes 75 x 75mm, 100 x 100mm

External I/O Mechanical Layout



Dimension

Unit: mm



Available Models

Model No.	Description
PC100-EHL-J6413	PC Module for Industrial Display System with Intel® Celeron® J6413 CPU

Optional Accessories

Model No.	Description
1-E09A06008	Adapter AC/DC 12V 5A 60W with 3pin Terminal Block Plug 5.0mm Pitch
SFICBL022	Power Cord, 3-pin US Type, 180cm
1-TPCD00002	Power Cord, European Type
1-TPCD00001	Power Cord, 3-pin UK Type, 180cm

Packing List

- 1x PC100-EHL Series PC Module
- 1x Screw Pack