



SIO-215-J1900

15" Stainless Steel Panel PC with Intel® Celeron® J1900, M12 PWR Cord

Features

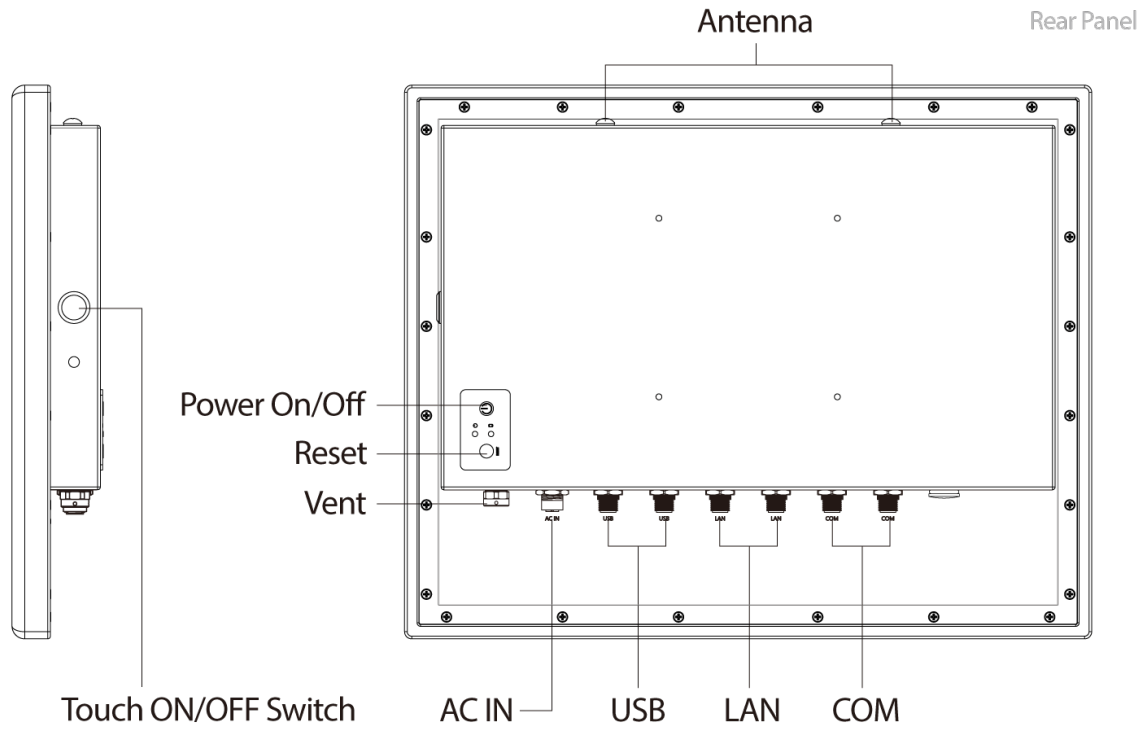
- 15" TFT XGA 4:3 LCD with resistive 5-wire / projected capacitive touch
- Intel® Celeron® processor J1900, 2.0 GHz
- 1x 204-pin DDR3L SODIMM. 8 GB
- 1x mSATA (Default 128 GB)
- M12 2x LAN, 4x USB, 2x COM
- 1x Full-size Mini PCIe for expansion
- Support 110V to 240V AC power input
- Fanless Operation from -20°C to 55°C
- Full system IP66/IP69K with Stainless Steel SUS316 construction
- Touch Function ON/OFF Switch
- Scratch-resistant 7H Tempered Glass
- Optical Bonding for ultimate clarity
- Pressure Valve SUS316 VENT IP68



Specifications

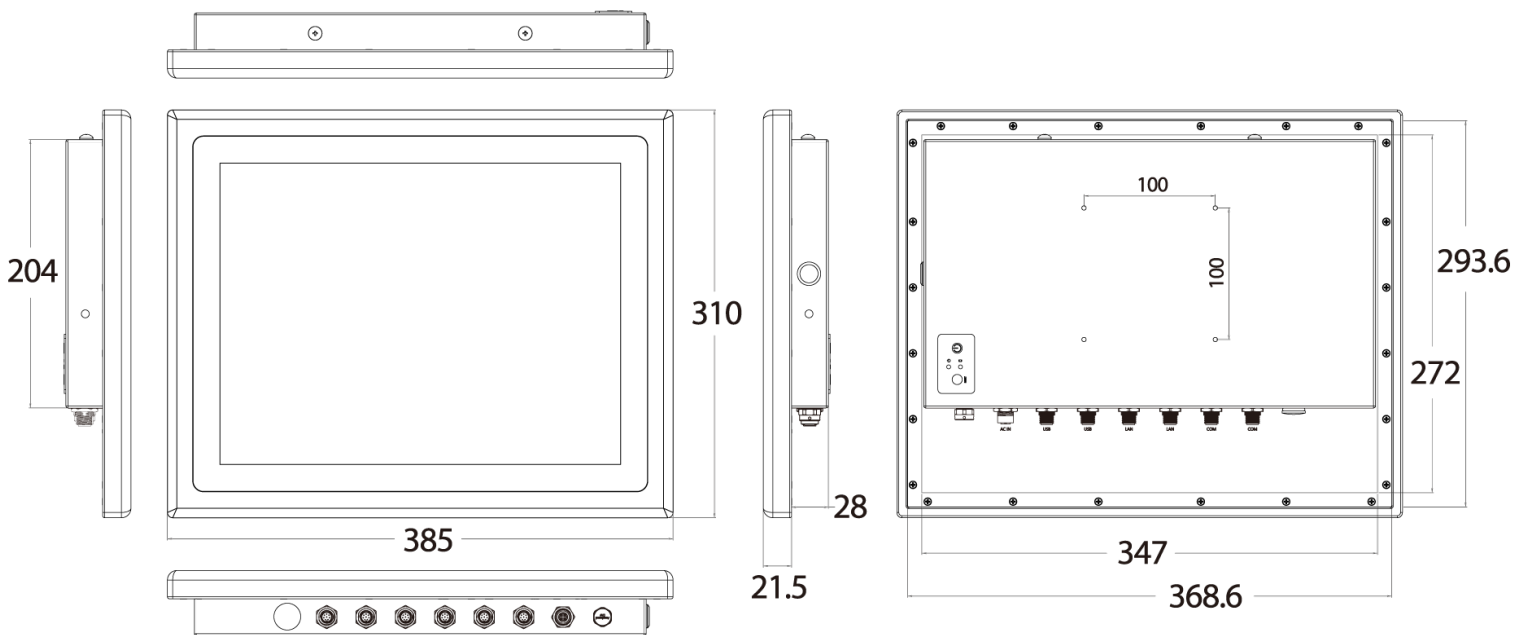
Display		Power	
IP Rating	IP66/IP69K	Power Mode	ATX
LCD Size	15" (4:3)	Power Supply Voltage	110 ~ 240V AC Input
Max. Resolution	1024 x 768	Power Connector	M12 S-code 4-pin
Brightness (cd/m ²)	300	Environment	
Contrast Ratio	2500:1	Operating Temperature	-20°C to 55°C optional wide Temp. -20°C to 60°C
LCD Color	16.7M	Storage Temperature	-20°C to 70°C
Pixel Pitch (mm)	0.297 (H) x 0.297 (V)	Relative Humidity	10% ~ 80% (non-condensing)
Surface hardness	>3H	IP Level	Full System IP66/IP69K
Response time	16ms	Certification	CE, FCC Class A
Viewing Angle	88 / 88 / 88 / 88 (Typ.) (CR>=10)	Vibration	With SSD: 2.4 Grms, 5 - 500 Hz, 0.5 hr/axis With HDD: 1 Grms, 5 - 500 Hz, 0.5 hr/axis
Backlight MTBF	70000 hrs (LED Backlight)	Shock	With SSD: 20G, half sine, 11ms
Operating Temperature	-20°C to 70°C	Physical	
Storage Temp.	-30°C to 70°C	Dimensions	385 (W) x 310 (H) x 49.5 (D) mm
Touch		Weights	5.96 kg
Surface hardness	Resistive 5-wire >3H Projected Capacitive 7H	Construction	Stainless Steel SUS316 with Optical bonding
Touch points	Resistive Single point Projected Capacitive 2 point	Mounting Options	VESA Mounting Holes 100 x 100mm Optional Yoke Mount, Panel Mount
Impact absorption	Projected Capacitive IK07		
System			
Processor	Intel® Celeron® Processor J1900, Quad Core, 2MB Cache, 2.0 GHz		
System Chipset	SoC Integrated		
LAN Chipset	GbE1: Intel® I210-IT (Support Wake-on-LAN and PXE) GbE2: Intel® I210-IT (Support Wake-on-LAN and PXE)		
Audio Codec	Realtek ALC886		
System Memory	1x 204-pin DDR3L SODIMM. max up to 8GB (Default 8 GB)		
TPM	TPM1.2 supported		
Storage			
mSATA	1x mSATA (Default 128 GB)		
SIM Socket	1x Internal SIM socket		
Expansion			
Mini PCIe	1x Full-size Mini PCIe		
I/O			
COM	2x RS-232/422/485 by M12 A-Code 8-pin		
LAN	2x LAN by M12 X-Code 8-pin		
USB	4x USB 2.0 by M12 A-code 8-pin		
Others	2x WiFi Antenna (Optional) Power On/Off, Reset IP68/IP69K SUS 316 Vent		
Operating System			
Windows	Windows 10, Windows 7, WES7		
Linux	Linux kernel 3.X		

External I/O Mechanical Layout



Dimension

Unit: mm



Available Models

Model No.	Description
SIO-215C-J1900	15" XGA Capacitive Touch Stainless Steel Panel PC with Celeron Processor J1900, AC IN, M12 PWR Cord ,Optical bonding
SIO-215R-J1900	15" XGA Resistive Touch Stainless Steel Panel PC with Celeron Processor J1900, AC IN, M12 PWR Cord ,Optical bonding

Optional Accessories

Model No.	Description
1-TPWR00092	Waterproof M12 S-CODE 4P PWR Cable(SUS316L) Type_US L=3M
1-TPWR00106	Waterproof M12 S-CODE 4P PWR Cable(SUS316L) Type_EU L=3M
1-TCOM00032	Waterproof M12 A-CODE 8P COM Cable(SUS316L)_DB9 L=1.5M
1-TLAN00024	Waterproof M12 X-CODE 8P LAN Cable(SUS316L)_CAT 5E_RJ45 L=1.5M
1-TUSB00057	Waterproof M12 A-CODE 8P USB 2.0 Cable(SUS316L)_Type A*2 L=1.6M

Packing List

- 1x SIO-215-J1900
- 7x Waterproof Connector Cover Set
- 1x Waterproof M12 SUS 316 AC Power cable S code