



### Features

- 10.4" TFT SVGA 4:3 LCD with resistive 5-wire / projected capacitive touch
- -10°C to 60°C extended operating temperature
- Designed with aluminum die-casting front frame
- IP65 compliant front panel
- Two 5W internal speakers built-in
- Multi-language OSD built-in

### Specifications

Display	
IP Rating	IP65
LCD Size	10.4" (4:3)
Max. Resolution	800 x 600 (SVGA)
Brightness (cd/m <sup>2</sup> )	400
Contrast Ratio	700:1
LCD Color	16.2M
Pixel Pitch (mm)	0.264(H) x 0.264(V)
Viewing Angle	160/130
Backlight MTBF	70000 hrs (LED Backlight)
Touch	
Projected Capacitive	VIO-110C
Resistive 5-Wire	VIO-110R
Others Features	
Speaker	AMP 5W + 5W
OSD	LCD On/Off, Auto, Menu, Up and Down Multi-language
Operating Temperature	-10 °C ~ 60 °C
Storage Temperature	-20 °C to 70 °C
Relative Humidity	10% ~ 80% (non-condensing)
IP Level	IP 65 Compliant Front Panel
Physical	
Dimensions	300 (W) x 238.5 (D) x 40.7 (H) mm
Weights	2.36 ~ 2.43 kg
Mounting Options	VESA Mounting Holes 75 x 75mm, 100 x 100mm

### Available Models

- VIO-110R  
10.4" 4:3 SVGA Resistive Touch Thin Frame Display Monitor with 2x 5W Speaker
- VIO-110C  
10.4" 4:3 SVGA Capacitive Touch Thin Frame Display Monitor with 2x 5W Speaker

### Optional Accessories

- 1-E09A06008  
Adapter AC/DC 12V 5A 60W with 3pin Terminal Block Plug 5.0mm Pitch
- SFICBL022  
Power Cord, 3-pin US Type, 180cm
- 1-TPCD00002  
Power Cord, European Type
- 1-TPCD00001  
Power Cord, 3-pin UK Type, 180cm

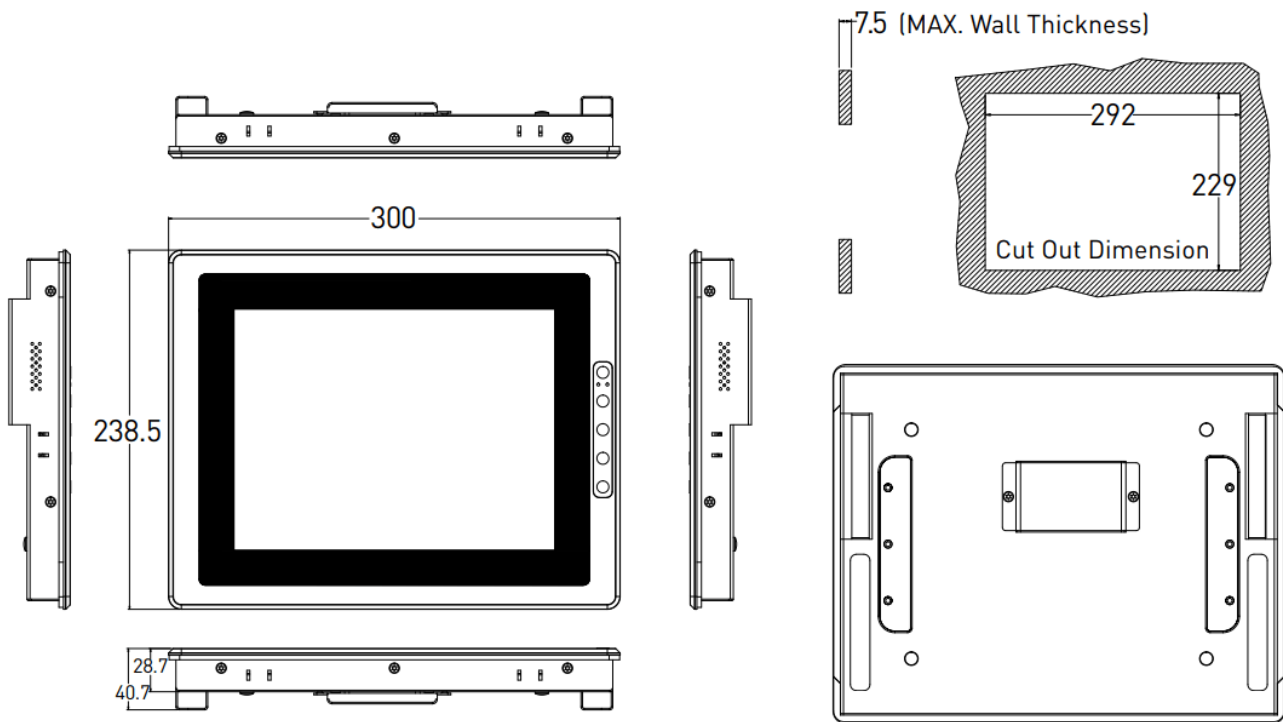
### Packing List

- 1x VIO-110 Display Module
- 6x Panel Mount Kit

\* All specifications and photos are subject to change without notice.

Dimension

Unit: mm



VIO-110