



INDUSTRIAL TOUCH SCREEN COMPUTER

VIO-212-PC400

12.1" XGA 4:3 IP65 Industrial Touchscreen Computer with 7th Gen Intel® Core™



Features

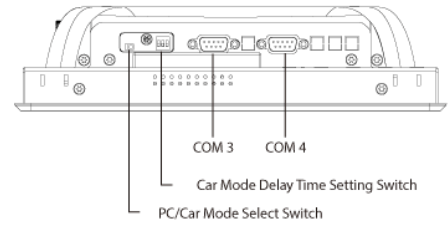
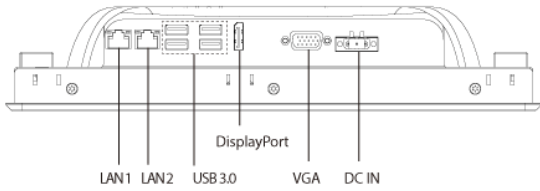
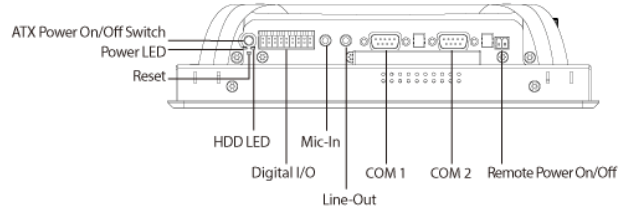
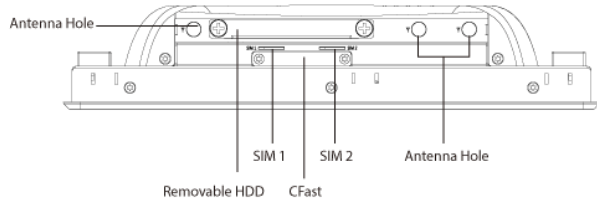
- 12.1" TFT XGA 4:3 LCD with resistive 5-wire / projected capacitive touch
- Intel® 7th Gen (Kaby Lake-U) Processor Core™ i5-7300U, Core™ i3-7100U
- 1x 260-pin DDR4 SODIMM. max up to 16GB
- 1x 2.5" SATA HDD bay support RAID 0, 1
- 1x mSATA (shared by 1x Mini PCIe), 1x CFast (shared by 1x mSATA), 2x SIM socket
- 2x full-size mini PCIe for communication or expansion modules
- 2x LAN, 1x VGA, 1x DisplayPort, 1x Dual Channel 24 bit LVDS
- 4x RS-232/422/485, 4x USB 3.0, Audio
- 8x DI + 8x DO with isolation
- 2x Universal I/O Bracket for Expansion (VIO-212-PC410 Only)
- 9 to 50VDC wide range power input
- -10°C to 60°C extended operating temperature
- Designed with aluminum die-casting front frame
- IP65 compliant front panel
- Two 5W internal speakers built-in
- Multi-language OSD built-in

Specifications

Display	
IP Rating	IP65
LCD Size	12.1" (4:3)
Max. Resolution	1024 x 768 (XGA)
Brightness (cd/m ²)	600 / 1000 (optional)
Contrast Ratio	1000:1
LCD Color	16.2M
Pixel Pitch (mm)	0.24(H) x 0.24(V)
Viewing Angle	178/178
Backlight MTBF	50000 hrs (LED Backlight)
Touch	
Projected Capacitive	VIO-212C-PC400, VIO-212C-PC410
Resistive 5-Wire	VIO-212R-PC400, VIO-212R-PC410
System	
Processor	7th Gen Intel® Core™ i5-7300U Processor, Dual Core, 3MB Cache, up to 3.5 GHz 7th Gen Intel® Core™ i3-7100U Processor, Dual Core, 3MB Cache, 2.4 GHz
System Chipset	SoC Integrated
LAN Chipset	GbE1: Intel® I219LM (Support Wake-on-LAN and PXE) GbE2: Intel® I210-AT (Support Wake-on-LAN and PXE)
Audio Codec	Realtek ALC888S
System Memory	1x 260-Pin DDR4 1866/2133MHz SODIMM. Max. up to 16GB
BIOS	AMI 64Mbit SPI BIOS
Watchdog	Software Programmable 1~255 sec. System Reset
Storage	
CFast	1x CFast (shared by 1x mSATA)
mSATA	1x mSATA (shared by 1x Mini PCIe)
SIM Socket	2x External SIM socket
SSD/HDD	1x Hotswap 2.5" SATA HDD Bay Support RAID 0, 1
Expansion	
Mini PCIe	2x Full-size Mini PCIe
I/O	
Audio	1x Mic-In, 1x line-out
COM	4x RS-232/422/485 2x RS-232/422/485 (internal) (VIO-212-PC410 only)
DIO	8 in / 8 out (Isolated)
LAN	2x RJ45
LVDS	1x Dual Channel 24 bit LVDS
Universal I/O Bracket	2x Universal I/O Bracket for Expansion (VIO-212-PC410 only)
USB	4x USB 3.0
DP	1x DisplayPort
Others	3x Antenna Holes (VIO-212-PC400 only) 4x Antenna Holes (VIO-212-PC410 only) 1x Power Switch, 1x AT/ATX Switch, 1x Remote Power On/Off

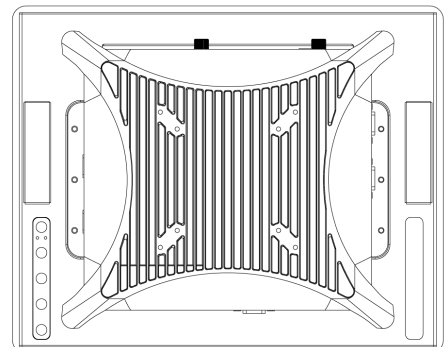
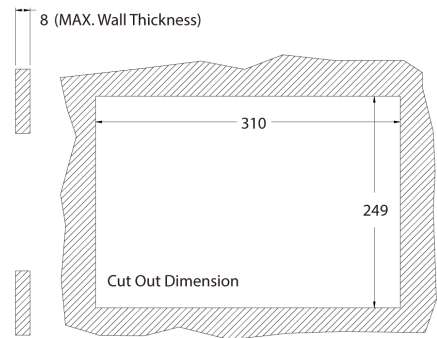
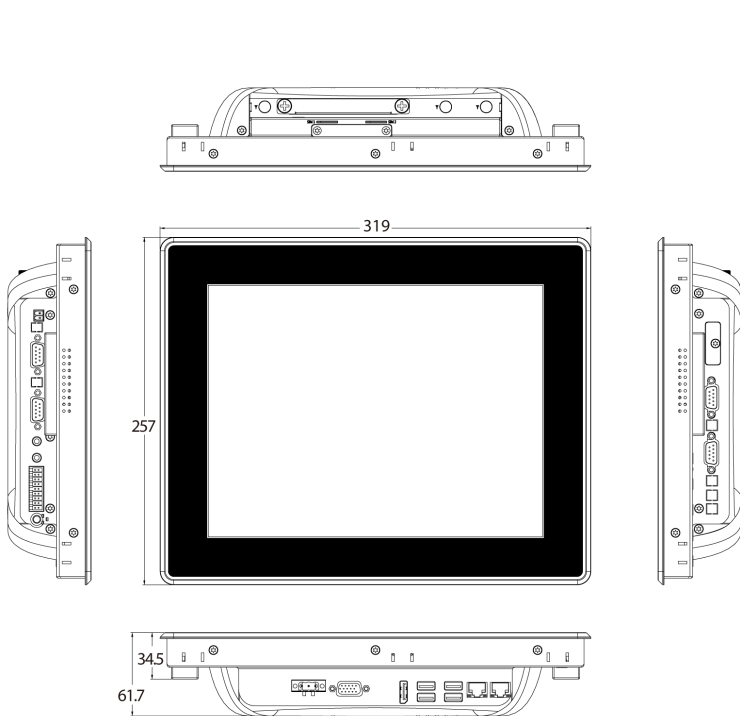
VGA	1x VGA
Others Features	
Speaker	AMP 5W + 5W
OSD	LCD On/Off, Auto, Menu, Up and Down Multi-language
Operating System	
Windows	Windows 10
Linux	Linux kernel 4.X
Power	
Power Adapter	Optional AC/DC 24V/5A, 120W
Power Management	Power Ignition Management
Power Mode	AT, ATX
Power Supply Voltage	9~50 VDC
Power Connector	3-Pin Terminal Blcok
Power Protection	OVP (Over Voltage Protection) OCP (Over Current Protection) Reverse Protection
Operating Temperature	-10 °C ~ 60 °C
Storage Temperature	-20 °C to 70 °C
Relative Humidity	10% ~ 80% (non-condensing)
IP Level	IP 65 Compliant Front Panel
Certification	CE, FCC Class A
Vibration	With SSD: 1.5 Grms, 5 - 500 Hz, 0.5 hr/axis With HDD: 1 Grms, 5 - 500 Hz, 0.5 hr/axis
Shock	20G, half sine, 11ms
Physical	
Dimensions	VIO-212/PC400: 319 (W) x 257 (D) x 61.7 (H) mm VIO-212/PC410: 319 (W) x 257 (D) x 83.7 (H) mm
Weights	VIO-212/PC400: 6.14 ~ 6.17 kg VIO-212/PC410: 6.26 ~ 6.29 kg
Mounting Options	VESA Mounting Holes 75 x 75mm, 100 x 100mm

External I/O Mechanical Layout

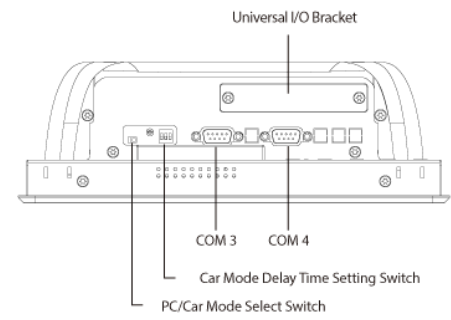
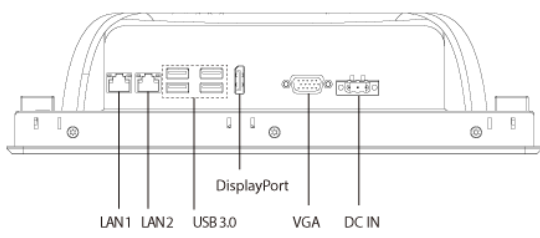
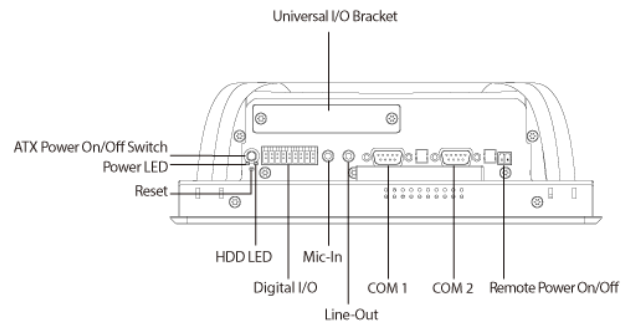
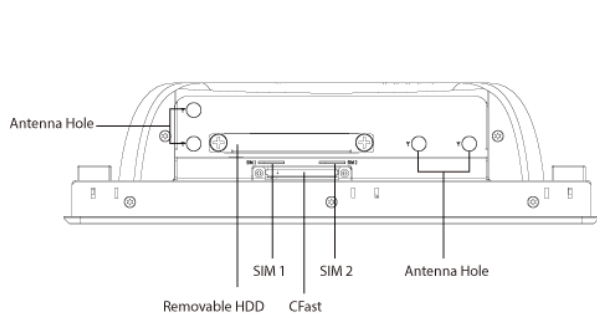


Dimension

Unit: mm

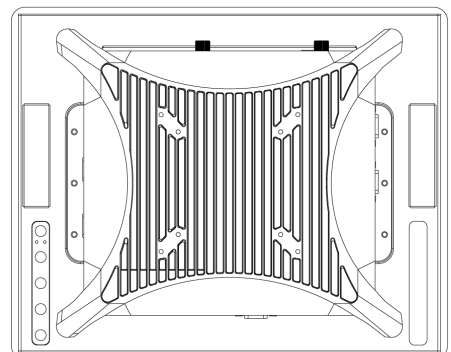
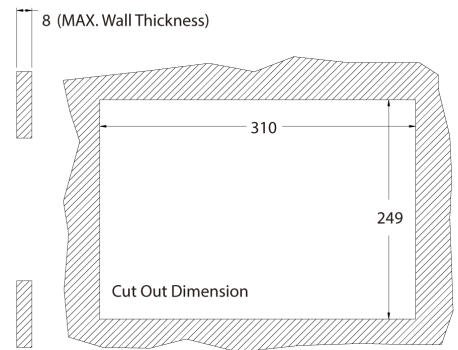
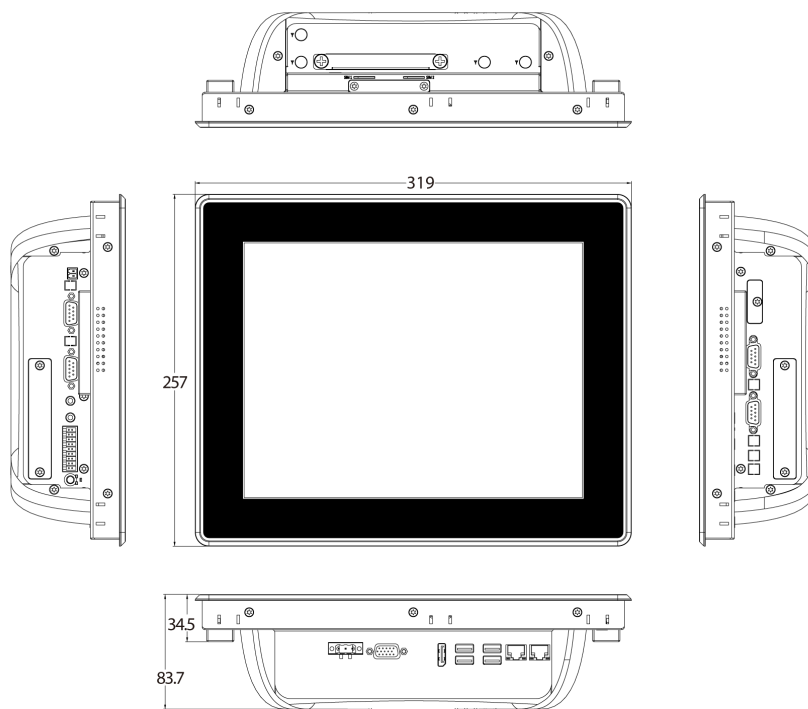


External I/O Mechanical Layout



Dimension

Unit: mm



Available Models

Model No.	Description
VIO-212R-PC400-7300U	12.1" XGA Resistive Touch Thin Frame Panel PC with Intel® Core™ i5-7300U Processor
VIO-212C-PC400-7300U	12.1" XGA Capacitive Touch Thin Frame Panel PC with Intel® Core™ i5-7300U Processor
VIO-212R-PC400-7100U	12.1" XGA Resistive Touch Thin Frame Panel PC with Intel® Core™ i3-7100U Processor
VIO-212C-PC400-7100U	12.1" XGA Capacitive Touch Thin Frame Panel PC with Intel® Core™ i3-7100U Processor
VIO-212R-PC410-7300U	12.1" XGA Resistive Touch Thin Frame Panel PC with Intel® Core™ i5-7300U Processor, 2x Universal I/O Bracket
VIO-212C-PC410-7300U	12.1" XGA Capacitive Touch Thin Frame Panel PC with Intel® Core™ i5-7300U Processor, 2x Universal I/O Bracket
VIO-212R-PC410-7100U	12.1" XGA Resistive Touch Thin Frame Panel PC with Intel® Core™ i3-7100U Processor, 2x Universal I/O Bracket
VIO-212C-PC410-7100U	12.1" XGA Capacitive Touch Thin Frame Panel PC with Intel® Core™ i3-7100U Processor, 2x Universal I/O Bracket

Optional Accessories

Model No.	Description
1-E09A12002	Adapter AC/DC 24V 5A 120W with 3pin Terminal Block Plug 5.0mm Pitch
SFICBL022	Power Cord, 3-pin US Type, 180cm
1-TPCD00002	Power Cord, European Type
1-TPCD00001	Power Cord, 3-pin UK Type, 180cm
3-DINR-0003	DIN-Rail Mount Kit

Packing List

- 1x VIO-212-PC400 Series Panel PC
- 10x Panel Mount Kit
- 1x Screw Pack