

# VIO-215-PC100-EHL

15" XGA Resistive / Capacitive Touch Thin Frame Industrial Touchscreen Computer with Intel® Celeron® J6413

## Features

- 15" TFT XGA 4:3 LCD with resistive 5-wire / projected capacitive touch
- Intel® Celeron® Processor J6413
- 1x 260-pin DDR4 SODIMM. max up to 32GB
- 1x 2.5" SATA HDD bay, 1x mSATA, 2x SIM socket
- 1x Full-size Mini PCIe (USB 2.0, SATA)
- 2x LAN, 1x DP, 1x HDMI, 1x LVDS
- 6x RS-232/422/485 (w/ 2x internal)
- 2x USB 3.2 Gen 2, 2x USB 2.0
- 8x DI + 8x DO with isolation
- 9 to 36VDC wide range power input
- 0°C to 60°C extended operating temperature
- Designed with aluminum die-casting front frame
- IP65 compliant front panel / Fanless Industrial Display Computer
- Two 10W internal speakers built-in
- Multi-language OSD built-in
- 1x Universal I/O Bracket for Expansion (VIO-215/PC100-EHL-1E Only)



## Specifications

| Display                         |                                                                                                           |
|---------------------------------|-----------------------------------------------------------------------------------------------------------|
| IP Rating                       | IP65                                                                                                      |
| LCD Size                        | 15" (4:3)                                                                                                 |
| Max. Resolution                 | 1024 x 768 (XGA)                                                                                          |
| Brightness (cd/m <sup>2</sup> ) | 350 / 1000 (optional)                                                                                     |
| Contrast Ratio                  | 1000:1                                                                                                    |
| LCD Color                       | 16.7M                                                                                                     |
| Pixel Pitch (mm)                | 0.297(H) x 0.297(V)                                                                                       |
| Viewing Angle                   | 170/160                                                                                                   |
| Backlight MTBF                  | 50000 hrs (LED Backlight)                                                                                 |
| Touch                           |                                                                                                           |
| Projected Capacitive            | VIO-215C-PC100-EHL, VIO-215C-PC100-EHL-1E                                                                 |
| Resistive 5-Wire                | VIO-215R-PC100-EHL, VIO-215R-PC100-EHL-1E                                                                 |
| System                          |                                                                                                           |
| Processor                       | Intel® Celeron® J6413 Processor Quad core (1.5M Cache, 1.8GHz up to 3.00 GHz) FC-BGA16F, Tray 10W         |
| System Chipset                  | SoC Integrated                                                                                            |
| LAN Chipset                     | GbE1: Intel® I210 (Support Wake-on-LAN and PXE)<br>2.5 GbE2: Intel® I225 (Support Wake-on-LAN and PXE)    |
| Audio Codec                     | Realtek ALC888S                                                                                           |
| System Memory                   | 1x 260-Pin DDR4 2400/2667/3200MT/s SODIMM.<br>Max. up to 32 GB                                            |
| BIOS                            | AMI 128Mbit SPI BIOS                                                                                      |
| TPM                             | TPM 2.0                                                                                                   |
| Watchdog                        | Software Programmable Supports 1~255 sec. System Reset                                                    |
| Storage                         |                                                                                                           |
| M.2                             | 1x M.2 (E Key, PCIe x1, USB 2.0, 2230)<br>1x M.2 (B Key, PCIe x2 + USB 3.2 Gen1, 2242/3042/3052)          |
| mSATA                           | 1x mSATA                                                                                                  |
| SIM Socket                      | 2x External SIM socket                                                                                    |
| SSD/HDD                         | 1x Removable 2.5" SATA HDD Bay                                                                            |
| Expansion                       |                                                                                                           |
| Mini PCIe                       | 1x Full-size Mini PCIe (USB 2.0, SATA)                                                                    |
| PCIe                            | 1x PCIe x4 (1-lanes), VIO-215-PC100-EHL-1E Only                                                           |
| I/O                             |                                                                                                           |
| Audio                           | 1x Mic-in, 1x Line-out                                                                                    |
| CAN                             | 2x CAN 2.0 A/B 2-pin Header (Internal)                                                                    |
| COM                             | 4x RS-232/422/485<br>2x RS-232/422/485 (internal)                                                         |
| DIO                             | 8 in / 8 out (Isolated)                                                                                   |
| LAN                             | 2x RJ45                                                                                                   |
| Universal I/O Bracket           | VIO-215-PC100-EHL-1E :<br>1x Universal I/O Bracket (By mini PCIe interface)                               |
| USB                             | 2x USB 3.2 Gen 2 (10 Gbps)<br>2x USB 2.0                                                                  |
| DP                              | 1x DisplayPort 1.2 (4096 x 2160@60Hz)                                                                     |
| HDMI                            | 1x HDMI 2.0b (4096 x 2160@60Hz) (Optional)                                                                |
| Others                          | 4x WiFi Antenna Holes<br>1x Power Switch, 1x AT/ATX Switch, 1x Remote Power On/Off<br>1x DB9 Cutting Hole |
| Optical Bonding                 | Optional, contact us for more information                                                                 |
| Others Features                 |                                                                                                           |
| Speaker                         | AMP 10W + 10W                                                                                             |

OSD LCD On/Off, Auto, Menu, Up and Down Multi-language

## Operating System

Windows Windows 10, Windows 11  
Linux Linux kernel 5.X

## Power

Power Adapter Optional AC/DC 12V/5A, 60W  
Power Management Power Ignition Management (by Optional Module)  
Power Mode AT, ATX  
Power Supply Voltage 9~36 VDC  
Power Connector 3-Pin Terminal Block  
Power Protection OVP (Over Voltage Protection)  
OCP (Over Current Protection)  
Reverse Protection

## Environment

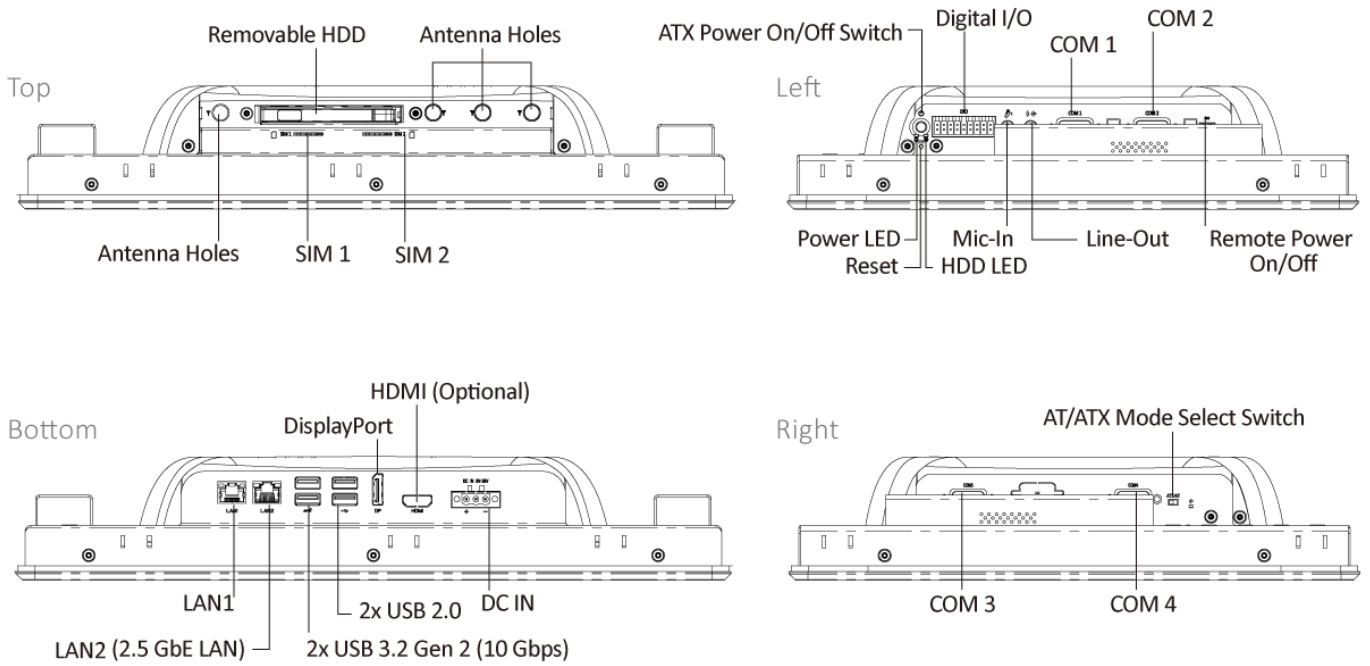
Operating Temperature 0°C to 60°C  
Storage Temperature -20°C to 70°C  
Relative Humidity 10%~80% (non-condensing)  
IP Level IP 65 Compliant Front Panel  
Certification CE, FCC Class A  
Vibration With SSD: 1.5 Grms, 5 - 500 Hz, 0.5 hr/axis  
With HDD: 1 Grms, 5 - 500 Hz, 0.5 hr/axis

Shock With SSD: 20G, half sine, 11ms

## Physical

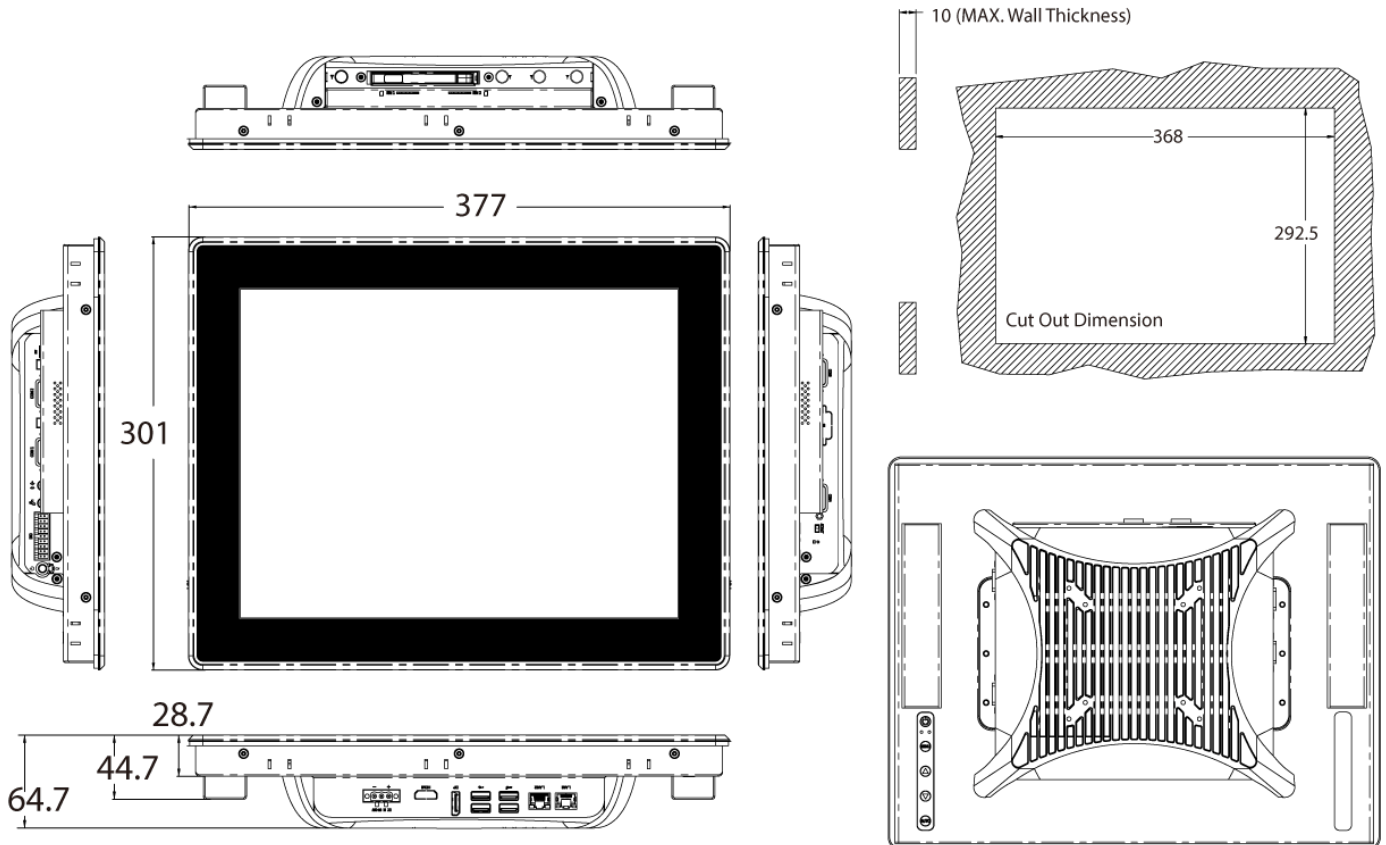
Dimensions VIO-215-PC100-EHL: 377 (W) x 301 (D) x 64.7 (H) mm  
VIO-215-PC100-EHL-1E: 377 (W) x 301 (D) x 87.7 (H) mm  
Weights VIO-215R-PC100-EHL: 5.16 kg  
VIO-215C-PC100-EHL: 5.12 kg  
VIO-215R-PC100-EHL-1E: 5.32 kg  
VIO-215C-PC100-EHL-1E: 5.24 kg  
Mounting Options VESA Mounting Holes 75 x 75mm, 100 x 100mm

## External I/O Mechanical Layout

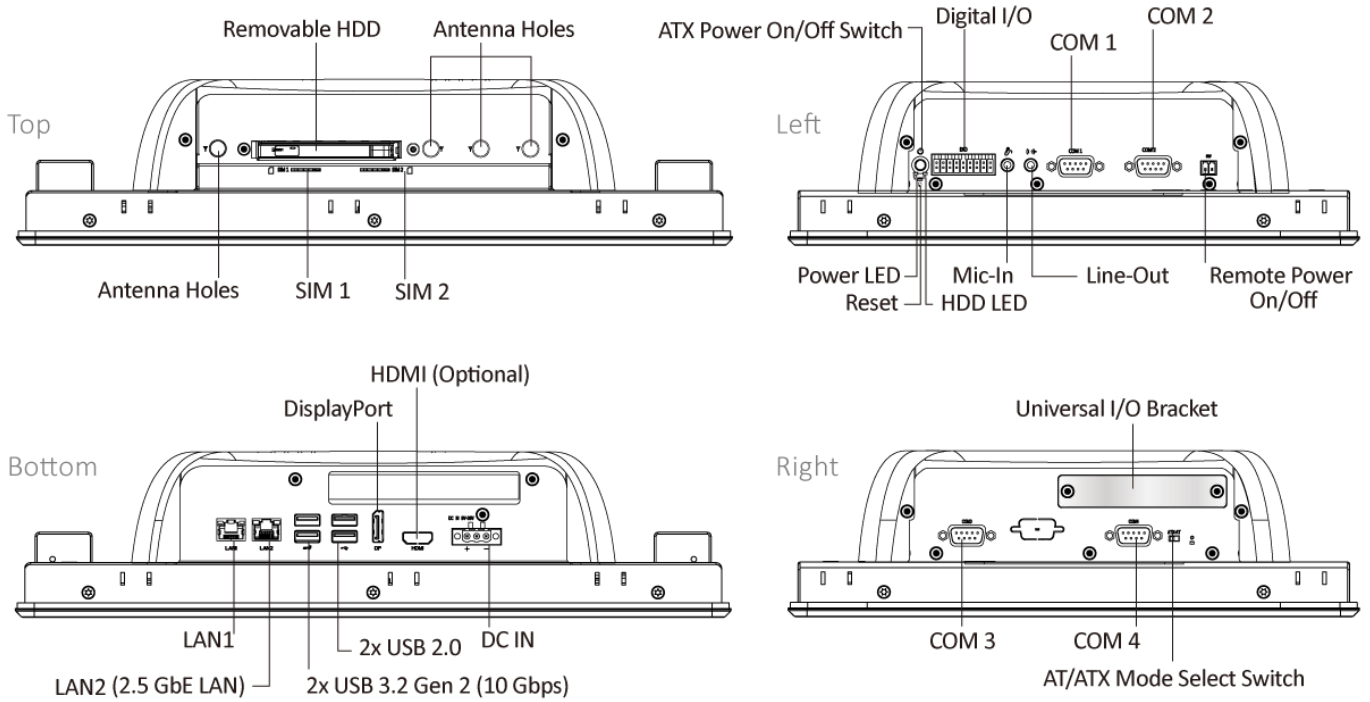


## Dimension

Unit: mm

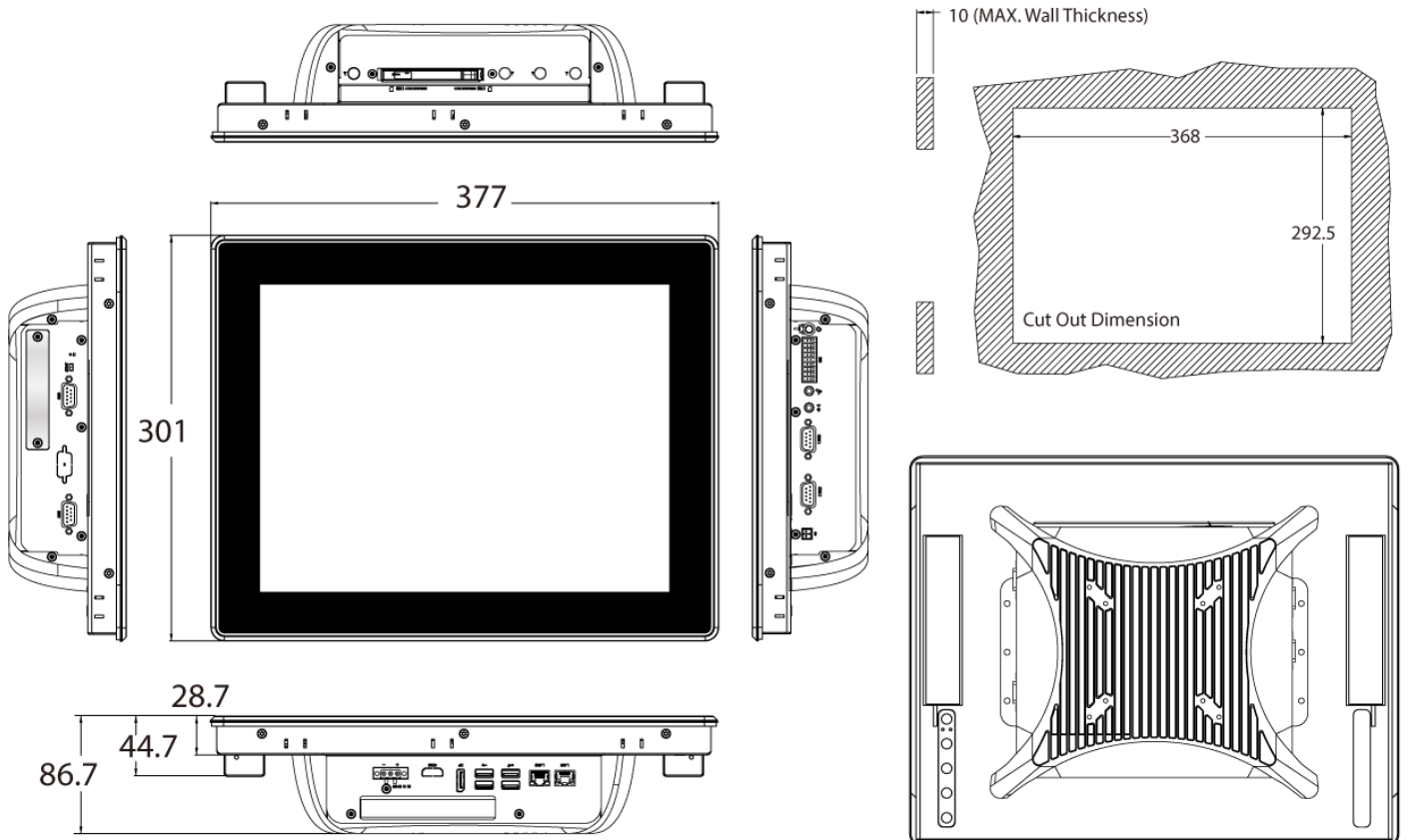


## External I/O Mechanical Layout



## Dimension

Unit: mm



## Available Models

| Model No.             | Description                                                                                                          |
|-----------------------|----------------------------------------------------------------------------------------------------------------------|
| VIO-215R-PC100-EHL    | 15" XGA Resistive Touch Thin Frame Panel PC with Intel® Celeron® Processor J6413                                     |
| VIO-215C-PC100-EHL    | 15" XGA Capacitive Touch Thin Frame Panel PC with Intel® Celeron® Processor J6413                                    |
| VIO-215R-PC100-EHL-1E | 15" XGA Resistive Touch Thin Frame Panel PC with Intel® Celeron® Processor J6413, 1x Universal I/O Bracket, 1x PCIe  |
| VIO-215C-PC100-EHL-1E | 15" XGA Capacitive Touch Thin Frame Panel PC with Intel® Celeron® Processor J6413, 1x Universal I/O Bracket, 1x PCIe |

## Optional Accessories

| Model No.   | Description                                                        |
|-------------|--------------------------------------------------------------------|
| 1-E09A06008 | Adapter AC/DC 12V 5A 60W with 3pin Terminal Block Plug 5.0mm Pitch |
| SFICBL022   | Power Cord, 3-pin US Type, 180cm                                   |
| 1-TPCD00002 | Power Cord, European Type, 180cm                                   |
| 1-TPCD00001 | Power Cord, 3-pin UK Type, 180cm                                   |

## Packing List

- 1x VIO-215-PC100-EHL Series
- 10x Panel Mount Kit
- 1x Screw Pack