



FEATURES

- 19" TFT SXGA 4:3 LCD with resistive 5-wire / projected capacitive touch
- Intel® 7th Gen (Kaby Lake-U) Processor Core™ i5-7300U, Core™ i3-7100U
- 1x 260-pin DDR4 SODIMM. max up to 16GB
- 1x 2.5" SATA HDD bay support RAID 0, 1
- 1x mSATA (shared by 1x Mini PCIe), 1x CFAST (shared by 1x mSATA), 2x SIM socket
- 2x full-size mini PCIe for communication or expansion modules
- 2x LAN, 1x VGA, 1x DisplayPort, 1x Dual Channel 24 bit LVDS
- 4x RS-232/422/485, 4x USB 3.0, Audio
- 8x DI + 8x DO with isolation
- 2x Universal I/O Bracket for Expansion (VIO-219/PC410 Only)
- 9 to 50VDC wide range power input
- -10°C to 50°C extended operating temperature
- Designed with aluminum die-casting front frame
- IP65 compliant front panel / Fanless Industrial Display Computer
- Two 10W internal speakers built-in
- Multi-language OSD built-in

| Display | |
|---------------------------------|--|
| LCD Size | 19" (4:3) |
| Max. Resolution | 1280 x 1024 (SXGA) |
| Brightness (cd/m ²) | 350 / 1000 (Optional) |
| Contrast Ratio | 1000:1 |
| LCD Color | 16.7M |
| Pixel Pitch (mm) | 0.294 (H) x 0.294 (V) |
| Viewing Angle (H-V) | 170 / 160 |
| Backlight MTBF | 50000 hrs (LED Backlight) |
| Touch | |
| Resistive 5-wire | VIO-219R/PC400, VIO-219R/PC410 |
| Projected Capacitive | VIO-219C/PC400, VIO-219C/PC410 |
| System | |
| Processor | 7 th Gen Intel® Core™ i5-7300U Processor, Dual Core, 3MB Cache, up to 3.5 GHz 7 th Gen Intel® Core™ i3-7100U Processor, Dual Core, 3MB Cache, 2.4 GHz |
| System Chipset | SoC integrated |
| LAN Chipset | GbE1: Intel® I219LM (Support Wake-on-LAN and PXE) GbE2: Intel® I210-AT (Support Wake-on-LAN and PXE) |
| Audio Codec | Realtek ALC888S |
| System Memory | 1x 260-Pin DDR4 1866/2133MHz SODIMM. Max. up to 16GB |
| BIOS | AMI 128Mbit SPI BIOS |
| Watchdog | Software Programmable Supports 1~255 sec. System Reset |
| Storage | |
| SSD/HDD | 1x Removable 2.5" SATA HDD Bay Support RAID 0, 1 |
| mSATA | 1x mSATA (shared by 1x Mini PCIe) |
| CFAST | 1x CFAST (shared by 1x mSATA) |
| SIM Socket | 2x External SIM socket |
| Expansion | |
| Mini PCI Express | 2x Full-size Mini PCIe |
| I/O | |
| VGA | 1x VGA |
| DisplayPort | 1x DisplayPort |
| LVDS | 1x Dual Channel 24 bit LVDS |
| COM | 4x RS-232/422/485 2x RS-232/422/485 (internal) (VIO-219/PC410 only) |
| USB | 4x USB 3.0 |

| | |
|-----------------------|---|
| LAN | 2x RJ45 |
| Audio | 1x Mic-in, 1x Line-out |
| DIO | 8 in / 8 out (Isolated) |
| Universal I/O Bracket | 2x Universal I/O Bracket for Expansion (VIO-219/PC410 only) |
| Others | 3x WiFi Antenna Holes (VIO-219-PC400 only) 4x WiFi Antenna Holes (VIO-219-PC410 only) 1x Power Switch, 1x AT/ATX Switch, 1x Remote Power On/Off |

Other Features

| | |
|------------------|---|
| Internal Speaker | AMP 10W + 10W |
| OSD | LCD On/Off, Auto, Menu, Up and Down Multi-language |

Operating System

| | |
|---------|------------------|
| Windows | Windows 10 |
| Linux | Linux kernel 4.X |

Power

| | |
|------------------------|--|
| Power Mode | AT, ATX |
| Power Supply Voltage | 9-50VDC |
| Power Ignition Sensing | Power Ignition Management |
| Power Connector | 3-pin Terminal Block |
| Power Adaptor | Optional AC/DC 12V/5A, 60W |
| Power Protection | OVP (Over Voltage Protection) OCP (Over Current Protection) Reverse Protection |

Environment

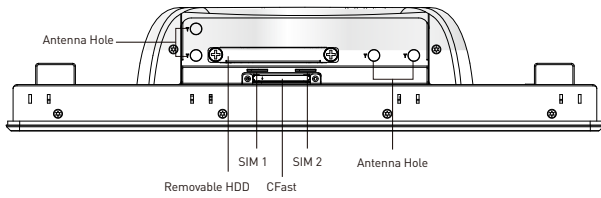
| | |
|---------------------------|--|
| Operating Temp. | -10°C to 50°C |
| Storage Temp. | -20°C to 60°C |
| Relative Humidity | 10%-80% (non-condensing) |
| IP Level | IP 65 Compliant Front Panel |
| Vibration | With SSD: 1.5 Grms, 5 - 500 Hz, 0.5 hr/axis With HDD: 1 Grms, 5 - 500 Hz, 0.5 hr/axis |
| Shock | 20G, half sine, 11ms |
| Standards / Certification | CE, FCC Class A |

Physical

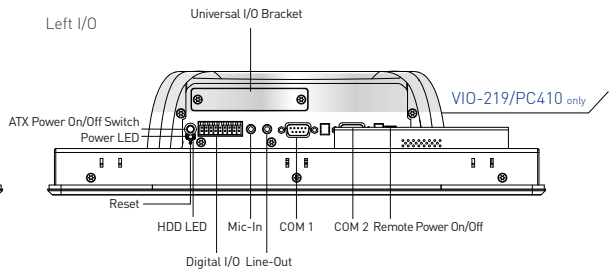
| | |
|--------------------------|--|
| Front Panel Construction | Die-cast Flat Surface |
| Dimension | VIO-219/PC400: 450 (W) x 375 (D) x 71 (H) mm VIO-219/PC410: 450 (W) x 375 (D) x 93 (H) mm |
| Weight | VIO-219/PC400: 7.64 ~ 7.68 kg VIO-219/PC410: 7.72 ~ 7.79 kg |
| Mounting | VESA Mounting Holes 75 x 75mm, 100 x 100mm |

EXTERNAL I/O MECHANICAL LAYOUT

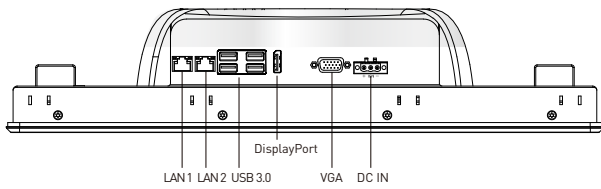
Front I/O



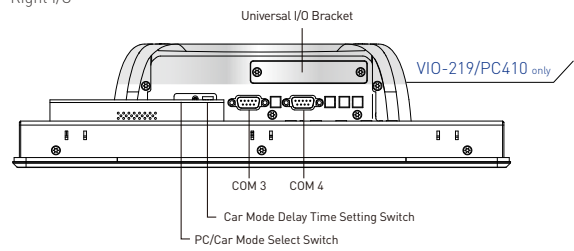
Left I/O



Rear I/O

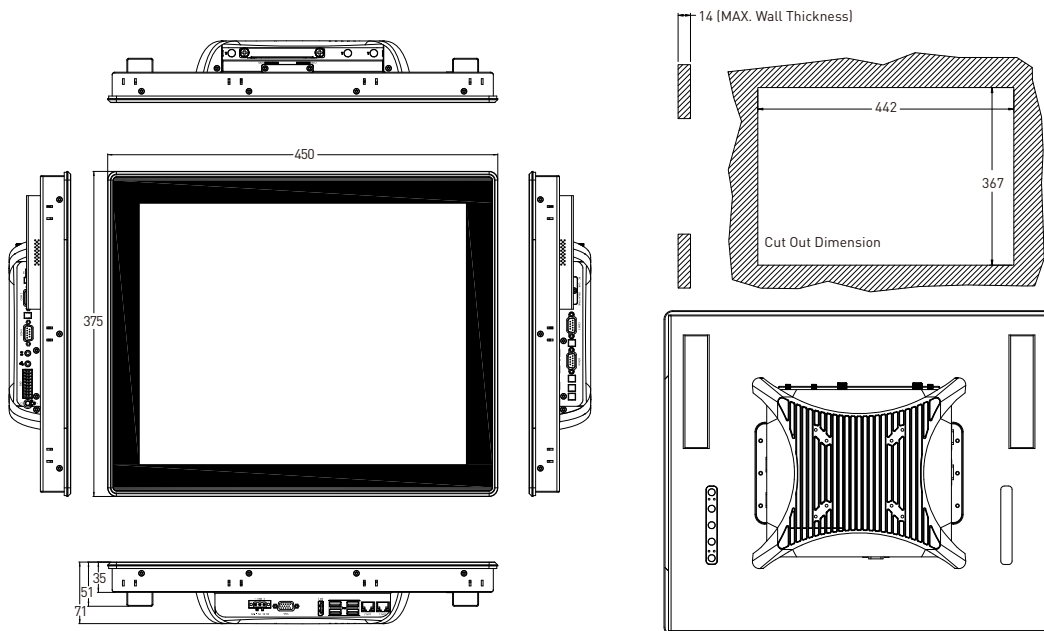


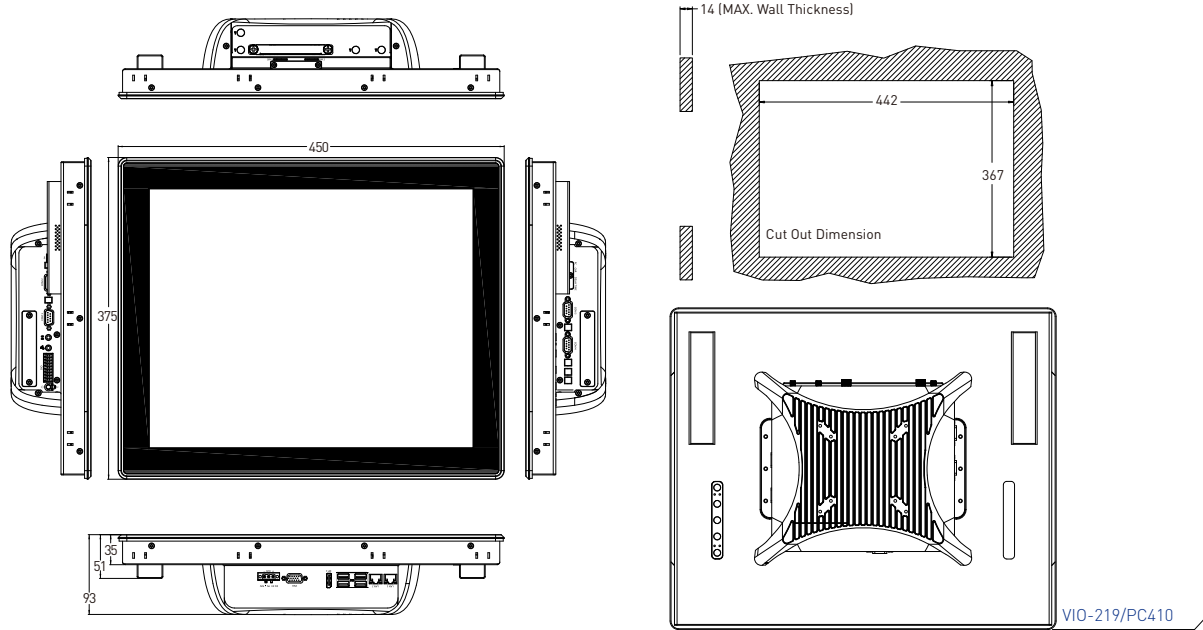
Right I/O



DIMENSION

Unit: mm





VIO-219/PC410

ORDERING INFORMATION

| MODEL NO. | DESCRIPTION |
|-------------|--|
| 1-E09A06008 | Adapter AC/DC 12V 5A 60W with 3pin Terminal Block Plug 5.0mm Pitch |
| SFICBL022 | Power Cord, 3-pin US Type, 180cm |
| 1-TPCD00002 | Power Cord, European Type |
| 1-TPCD00001 | Power Cord, 3-pin UK Type, 180cm |
| 3-DINR-0003 | DIN-Rail Mount Kit |

PACKING LIST

- 1x VIO-219/PC400 Series Panel PC
- 14x Panel Mount Kit
- 1x Utility DVD Driver
- 1x Screw Pack

AVAILABLE MODELS

| MODEL | MODEL NO. | DESCRIPTION |
|---------------|----------------------|--|
| VIO-219/PC400 | VIO-219R/PC400-7300U | 19" SXGA Resistive Touch Thin Frame Panel PC with Intel® Core™ i5-7300U Processor |
| | VIO-219C/PC400-7300U | 19" SXGA Capacitive Touch Thin Frame Panel PC with Intel® Core™ i5-7300U Processor |
| | VIO-219R/PC400-7100U | 19" SXGA Resistive Touch Thin Frame Panel PC with Intel® Core™ i3-7100U Processor |
| | VIO-219C/PC400-7100U | 19" SXGA Capacitive Touch Thin Frame Panel PC with Intel® Core™ i3-7100U Processor |
| | VIO-219R/PC410-7300U | 19" SXGA Resistive Touch Thin Frame Panel PC with Intel® Core™ i5-7300U Processor, 2x Universal I/O Bracket |
| | VIO-219C/PC410-7300U | 19" SXGA Capacitive Touch Thin Frame Panel PC with Intel® Core™ i5-7300U Processor, 2x Universal I/O Bracket |
| | VIO-219R/PC410-7100U | 19" SXGA Resistive Touch Thin Frame Panel PC with Intel® Core™ i3-7100U Processor, 2x Universal I/O Bracket |
| | VIO-219C/PC410-7100U | 19" SXGA Capacitive Touch Thin Frame Panel PC with Intel® Core™ i3-7100U Processor, 2x Universal I/O Bracket |