

USER'S MANUAL

VIO-100/PC100 Series
VIO-200/PC100 Series
Industrial Panel PCs



Table of Contents

Prefaces	05
Revision	05
Disclaimer	05
Copyright Notice	05
Trademarks Acknowledgment	05
Environmental Protection Announcement	05
Safety Precautions	06
Technical Support and Assistance	07
Conventions Used in this Manual	07
Package Contents	08
Ordering Information	09
Optional Accessory	11
Chapter 1 Product Introductions	12
1.1 Overview	13
1.1.1 Key Feature	13
1.2 Hardware Specification	14
1.2.1 VIO-110R(C)/PC100 VIO-110R(C)/PC110	14
1.2.2 VIO-212R(C)/PC100 VIO-212R(C)/PC110	15
1.2.3 VIO-215R(C)/PC100 VIO-215R(C)/PC110	16
1.2.4 VIO-W215R(C)/PC100 VIO-W215R(C)/PC110	17
1.2.5 VIO-217R(C)/PC100 VIO-217R(C)/PC110	18
1.2.6 VIO-219R(C)/PC100 VIO-219R(C)/PC110	19
1.2.7 VIO-W221R(C)/PC100 VIO-W221R(C)/PC110	20
1.2.8 VIO-W224R(C)/PC100 VIO-W224R(C)/PC110	21
1.3 System I/O	22
1.3.1 Front	22
1.3.2 Rear	22
1.3.3 Side (Left)	23
1.3.4 Side (Right)	23
1.3.5 Top	24
1.4 Mechanical Dimension	25
1.4.1 VIO-110R(C)/PC100 VIO-110R(C)/PC110	25
1.4.2 VIO-212R(C)/PC100 VIO-212R(C)/PC110	26
1.4.3 VIO-215R(C)/PC100 VIO-215R(C)/PC110	27
1.4.4 VIO-W215R(C)/PC100 VIO-W215R(C)/PC110	28
1.4.5 VIO-217R(C)/PC100 VIO-217R(C)/PC110	29
1.4.6 VIO-219R(C)/PC100 VIO-219R(C)/PC110	30
1.4.7 VIO-W221R(C)/PC100 VIO-W221R(C)/PC110	31
1.4.8 VIO-W224R(C)/PC100 VIO-W224R(C)/PC110	32
Chapter 2 Jumpers and Connectors	33
2.1 Switch and connector Locations	34
2.1.1 Top View	34
2.1.2 Bottom View	34
2.2 Connector / Switch Definition	35
2.3 Switch Definitions	36
2.4 Connector Definitions	38

Chapter 3	Front Panel Controls	49
3.1	Users Controls	50
3.1.1	Power Button	50
3.1.2	LED	50
3.1.3	MENU / Enter Button	50
3.1.4	Increase Button	50
3.1.5	Decrease Button	50
3.1.6	AUTO / Exit Button	50
3.2	OSD Operation	51
3.2.1	Luminance	51
3.2.2	Picture	52
3.2.3	Color	52
3.2.4	OSD Settings	52
3.2.5	Setup	53
Chapter 4	System Setup	54
4.1	Set torque force to 3.5 kgf-cm to execute all the screwing and unscrewing	55
4.2	Installing SODIMM	55
4.3	Installing mini PCIe card / mSATA	56
4.4	Installing HDD on removable SATA HDD bay	57
4.5	Installing CFast card	59
4.6	Installing SIM card	60
4.7	Removing chassis bottom cover	62
4.8	Installing antenna	63
4.9	Assemble chassis top cover	66
4.10	Connecting PC module with VIO display module	68
Chapter 5	BIOS Setup	70
5.1	BIOS Introduction	71
5.2	Main Setup	72
5.2.1	System Date	72
5.2.2	System Time	72
5.3	Advanced Setup	73
5.3.1	Trusted Computing (Optional)	73
5.3.2	ACPI Settings	74
5.3.3	Super IO Configuration	74
5.3.4	Hardware Monitor	78
5.3.5	Serial Port Console Redirection	79
5.3.6	CPU Configuration	79
5.3.7	SATA Configuration	80
5.3.8	OS Configuration	80
5.3.9	CSM Configuration	81
5.3.10	USB Configuration	82
5.3.11	Intel® I210 Gigabit Network Connection- XX:XX:XX:XX:XX:XX.....	83
5.4	Chipset	84
5.4.1	North Bridge	84
5.4.2	South Bridge	86

5.5	Security	88
5.5.1	Administrators Password	88
5.5.2	Users Password	88
5.6	Boot	89
5.6.1	Setup Prompt Timeout	89
5.6.2	Bootup NumLock State	89
5.6.3	Full Screen Logo Show	89
5.6.4	Boot Option Priorities	89
5.7	Save & Exit	90
5.7.1	Save Changes and Reset	90
5.7.2	Discard Changes and Reset	90
5.7.3	Restore Defaults	90
Appendix	91
	WDT Sample Code	92
	GPIO Sample Code	93
	Mounting Guide	96

Prefaces

Revision

Revision	Description	Date
1.0	Manual Released	2018/12/27

Disclaimer

All specifications and information in this User's Manual are believed to be accurate and up to date. C&T Solution Inc. does not guarantee that the contents herein are complete, true, accurate or non-misleading. The information in this document is subject to change without notice and does not represent a commitment on the part of C&T Solution Inc.

C&T Solution Inc. disclaims all warranties, express or implied, including, without limitation, those of merchantability, fitness for a particular purpose with respect to contents of this User's Manual. Users must take full responsibility for the application of the product.

Copyright Notice

All rights reserved. No part of this manual may be reproduced or transmitted in any form or by any means, electronic or mechanical, including photocopying, recording, or information storage and retrieval systems, without the prior written permission of C&T Solution Inc. Copyright © C&T Solution Inc.

Trademarks Acknowledgment

Intel®, Celeron® and Pentium® are trademarks of Intel Corporation.

Windows® is registered trademark of Microsoft Corporation.

AMI is trademark of American Megatrend Inc.

IBM, XT, AT, PS/2 and Personal System/2 are trademarks of International Business Machines Corporation

All other products and trademarks mentioned in this manual are trademarks of their respective owners.

Environmental Protection Announcement

Do not dispose this electronic device into the trash while discarding. Please recycle to minimize pollution and ensure environment protection.



Safety Precautions

Before installing and using the equipment, please read the following precautions:

- Put this equipment on a reliable surface during installation. Dropping it or letting it fall could cause damage.
- The power outlet shall be installed near the equipment and shall be easily accessible.
- Turn off the system power and disconnect the power cord from its source before making any installation. Be sure both the system and the external devices are turned OFF. Sudden surge
- of power could ruin sensitive components. Make sure the equipment is properly grounded.
- When the power is connected, never open the equipment. The equipment should be opened only by qualified service personnel.
- Make sure the voltage of the power source is correct before connecting the equipment to the power outlet.
- Disconnect this equipment from the power before cleaning. Use a damp cloth. Do not use liquid or spray detergents for cleaning.
- Avoid the dusty, humidity and temperature extremes.
- Do not place heavy objects on the equipment.
- If the equipment is not used for long time, disconnect it from the power to avoid being damaged by transient over-voltage.
- The storage temperature shall be above -20°C and below 70°C .
- The computer is provided with a battery-powered real-time clock circuit. There is a danger of explosion if incorrectly replaced. Replace only with the same or equivalent type recommended by the manufacturer.
- If one of the following situation arises, get the equipment checked be service personnel:
 - The power cord or plug is damaged.
 - Liquid has penetrated into the equipment.
 - The equipment has been exposed to moisture.
 - The equipment does not work well or it cannot work according the user's manual.
 - The equipment has been dropped and damaged.
 - The equipment has obvious signs of breakage.

Technical Support and Assistance

1. Visit the C&T Solution Inc website at <https://www.candtsolution.com> where you can find the latest information about the product.
2. Contact your distributor, our technical support team or sales representative for technical support if you need additional assistance. Please have following information ready before you call:
 - Model name and serial number
 - Description of your peripheral attachments
 - Description of your software (operating system, version, application software, etc.)
 - A complete description of the problem
 - The exact wording of any error messages

Conventions Used in this Manual

**WARNING**

This indication alerts operators to an operation that, if not strictly observed, may result in severe injury.

**CAUTION**

This indication alerts operators to an operation that, if not strictly observed, may result in safety hazards to personnel or damage to equipment.

**NOTE**

This indication provides additional information to complete a task easily.

Package Contents

Before installation, please ensure all the items listed in the following table are included in the package.

VIO-110/PC100 VIO-110/PC110		
Item	Description	Q'ty
1	VIO-110/PC100 Series Panel PC	1
2	Panel Mount Kit	6
3	Utility DVD Driver	1
4	Screw Pack	1

VIO-212/PC100 VIO-212/PC110		
Item	Description	Q'ty
1	VIO-212/PC100 Series Panel PC	1
2	Panel Mount Kit	10
3	Utility DVD Driver	1
4	Screw Pack	1

VIO-215/PC100 VIO-215/PC110		
Item	Description	Q'ty
1	VIO-215/PC100 Series Panel PC	1
2	Panel Mount Kit	10
3	Utility DVD Driver	1
4	Screw Pack	1

VIO-W215/PC100 VIO-W215/PC110		
Item	Description	Q'ty
1	VIO-W215/PC100 Series Panel PC	1
2	Panel Mount Kit	8
3	Utility DVD Driver	1
4	Screw Pack	1

VIO-217/PC100 VIO-217/PC110		
Item	Description	Q'ty
1	VIO-217/PC100 Series Panel PC	1
2	Panel Mount Kit	10
3	Utility DVD Driver	1
4	Screw Pack	1

VIO-219/PC100 VIO-219/PC110		
Item	Description	Q'ty
1	VIO-219/PC100 Series Panel PC	1
2	Panel Mount Kit	14
3	Utility DVD Driver	1
4	Screw Pack	1

VIO-W221/PC100 VIO-W221/PC110		
Item	Description	Q'ty
1	VIO-W221/PC100 Series Panel PC	1
2	Panel Mount Kit	12
3	Utility DVD Driver	1
4	Screw Pack	1

VIO-W224/PC100 VIO-W224/PC110		
Item	Description	Q'ty
1	VIO-W224/PC100 Series Panel PC	1
2	Panel Mount Kit	12
3	Utility DVD Driver	1
4	Screw Pack	1

Ordering Information

Model No.	Product Description
VIO-110R/PC100-J1900	10.4" SVGA Resistive Touch Panel PC with Intel® Celeron® Processor J1900, 4x COM
VIO-110C/PC100-J1900	10.4" SVGA Capacitive Touch Panel PC with Intel® Celeron® Processor J1900, 4x COM
VIO-110R/PC110-J1900	10.4" SVGA Resistive Touch Panel PC with Intel® Celeron® Processor J1900, 4x COM, 2x Universal I/O Bracket
VIO-110C/PC110-J1900	10.4" SVGA Resistive Touch Panel PC with Intel® Celeron® Processor J1900, 4x COM, 2x Universal I/O Bracket
VIO-212R/PC100-J1900	12.1" XGA Resistive Touch Thin Frame Panel PC with Intel® Celeron® Processor J1900, 4x COM
VIO-212C/PC100-J1900	12.1" XGA Capacitive Touch Thin Frame Panel PC with Intel® Celeron® Processor J1900, 4x COM
VIO-212R/PC110-J1900	12.1" XGA Resistive Touch Thin Frame Panel PC with Intel® Celeron® Processor J1900, 4x COM, 2x Universal I/O Bracket
VIO-212C/PC110-J1900	12.1" XGA Capacitive Touch Thin Frame Panel PC with Intel® Celeron® Processor J1900, 4x COM, 2x Universal I/O Bracket
VIO-215R/PC100-J1900	15" XGA Resistive Touch Thin Frame Panel PC with Intel® Celeron® Processor J1900, 4x COM
VIO-215C/PC100-J1900	15" XGA Capacitive Touch Thin Frame Panel PC with Intel® Celeron® Processor J1900, 4x COM
VIO-215R/PC110-J1900	15" XGA Resistive Touch Thin Frame Panel PC with Intel® Celeron® Processor J1900, 4x COM, 2x Universal I/O Bracket
VIO-215C/PC110-J1900	15" XGA Capacitive Touch Thin Frame Panel PC with Intel® Celeron® Processor J1900, 4x COM, 2x Universal I/O Bracket
VIO-W215R/PC100-J1900	15.6" 16:9 Full HD Resistive Touch Thin Frame Panel PC with Intel® Celeron® Processor J1900, 4x COM
VIO-W215C/PC100-J1900	15.6" 16:9 Full HD Capacitive Touch Thin Frame Panel PC with Intel® Celeron® Processor J1900, 4x COM
VIO-W215R/PC110-J1900	15.6" 16:9 Full HD Resistive Touch Thin Frame Panel PC with Intel® Celeron® Processor J1900, 4x COM, 2x Universal I/O Bracket
VIO-W215C/PC110-J1900	15.6" 16:9 Full HD Capacitive Touch Thin Frame Panel PC with Intel® Celeron® Processor J1900, 4x COM, 2x Universal I/O Bracket

Model No.	Product Description
VIO-217R/PC100-J1900	17" SXGA Resistive Touch Thin Frame Panel PC with Intel® Celeron® Processor J1900, 4x COM
VIO-217C/PC100-J1900	17" SXGA Capacitive Touch Thin Frame Panel PC with Intel® Celeron® Processor J1900, 4x COM
VIO-217R/PC110-J1900	17" SXGA Resistive Touch Thin Frame Panel PC with Intel® Celeron® Processor J1900, 4x COM, 2x Universal I/O Bracket
VIO-217C/PC110-J1900	17" SXGA Capacitive Touch Thin Frame Panel PC with Intel® Celeron® Processor J1900, 4x COM, 2x Universal I/O Bracket
VIO-219R/PC100-J1900	19" SXGA Resistive Touch Thin Frame Panel PC with Intel® Celeron® Processor J1900, 4x COM
VIO-219C/PC100-J1900	19" SXGA Capacitive Touch Thin Frame Panel PC with Intel® Celeron® Processor J1900, 4x COM
VIO-219R/PC110-J1900	19" SXGA Resistive Touch Thin Frame Panel PC with Intel® Celeron® Processor J1900, 4x COM, 2x Universal I/O Bracket
VIO-219C/PC110-J1900	19" SXGA Capacitive Touch Thin Frame Panel PC with Intel® Celeron® Processor J1900, 4x COM, 2x Universal I/O Bracket
VIO-W221R/PC100-J1900	21.5" 16:9 Full HD Resistive Touch Thin Frame Panel PC with Intel® Celeron® Processor J1900, 4x COM
VIO-W221C/PC100-J1900	21.5" 16:9 Full HD Capacitive Touch Thin Frame Panel PC with Intel® Celeron® Processor J1900, 4x COM
VIO-W221R/PC110-J1900	21.5" 16:9 Full HD Resistive Touch Thin Frame Panel PC with Intel® Celeron® Processor J1900, 4x COM, 2x Universal I/O Bracket
VIO-W221C/PC110-J1900	21.5" 16:9 Full HD Capacitive Touch Thin Frame Panel PC with Intel® Celeron® Processor J1900, 4x COM, 2x Universal I/O Bracket
VIO-W224R/PC100-J1900	23.8" 16:9 Full HD Resistive Touch Thin Frame Panel PC with Intel® Celeron® Processor J1900, 4x COM
VIO-W224C/PC100-J1900	23.8" 16:9 Full HD Capacitive Touch Thin Frame Panel PC with Intel® Celeron® Processor J1900, 4x COM
VIO-W224R/PC110-J1900	23.8" 16:9 Full HD Resistive Touch Thin Frame Panel PC with Intel® Celeron® Processor J1900, 4x COM, 2x Universal I/O Bracket
VIO-W224C/PC110-J1900	23.8" 16:9 Full HD Capacitive Touch Thin Frame Panel PC with Intel® Celeron® Processor J1900, 4x COM, 2x Universal I/O Bracket

Optional Accessories

Model No.	Product Description
1-E09A06007	Adapter AC/DC 12V 5A 60W with 3pin Terminal Block Plug 5.0mm Pitch
1-TPCD00005	Power Cord, 3-pin US Type, 180cm
1-TPCD00002	Power Cord, European Type, 180cm
1-TPCD00001	Power Cord, 3-pin UK Type, 180cm

Chapter 1

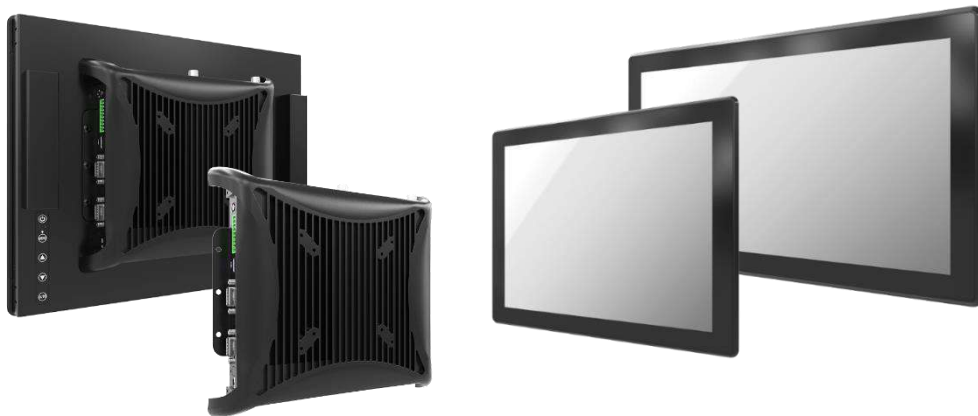
Product Introductions

1.1 Overview

The VIO-100/PC100 and VIO-200/PC100 series Panel PC is based on Intel® Celeron® J1900 Quad Core Processor. Designed with flat surface, IP 65 dust/waterproof front panel, and aluminum die-casting front frame with rugged body structure, it is a versatile I/O connections, and rugged reliability industrial panel PC.

The VIO-100/PC100 and VIO-200/PC100 series Panel PC supports Multi-Mode Display Module (MDM) technology which makes it more flexible in system maintaining and upgrading. It offers modularize expansion I/O, rich connectivity interfaces, wide range (9~50V) DC power input, and high reliability even operating in temperature extremes.

Featuring with completely high functional, VIO-100/PC100 and VIO-200/PC100 series Panel PC are ruggedized display systems that can operate in harsh environments and easy to install and maintain. A build in over voltage protection (OVP), over current protection (OCP), reverse protection, and wide range DC power input makes VIO-100/PC100 and VIO-200/PC100 series Panel PC are safety system for all industrial applications.



1.1.1 Key Features

- 10.4"~ 23.8" Multi-functional All-in-One Panel PCs
- Intel® Celeron® processor J1900, 2.0 GHz
- 1x 204-pin DDR3L SODIMM. Max up to 8GB
- 1x 2.5" SATA HDD bay, 1x mSATA, 1x Cfast, 2x SIM socket
- 2x Full-size mini PCIe for communication or expansion modules
- 2x LAN
- 1x VGA, 1x DisplayPort
- 4x External RS-232/422/485, 2x Internal RS-232/422/485
- 1x USB 3.0, 3x USB 2.0
- 1x Line-out, 1x Mic-in
- 8x Isolated Digital Input, 8x Isolated Digital Output
- 9 to 50VDC wide range power input
- Designed with Aluminum Die-Casting Front Frame
- IP65 Compliant Front Panel
- 2x 5W Internal Speakers Built-in (VIO-110/ VIO-212 Series Only)
- 2x 10W Internal Speakers Built-in
- Multi-language OSD Built-in

1.2 Hardware Specification

1.2.1 VIO-110R(C)/PC100 | VIO-110R(C)/PC110

Hardware Specification

Display

- LCD Size: 10.4" (4:3)
- Max. Resolution: 800 x 600 (SVGA)
- Brightness (cd/m²): 400
- Contrast Ratio: 700 : 1
- LCD Color: 16.2M
- Pixel Pitch (mm): 0.264 (H) x 0.264 (V)
- Viewing Angle (H-V): 160 / 130
- Backlight MTBF: 70000 hrs (LED Backlight)

Touch

- Resistive 5-Wire: VIO-110R/PC100 and VIO-110R/PC110 Only
- Projected Capacitive: VIO-110C/PC100 and VIO-110C/PC110 Only

System

- Processor: Intel® Celeron® Processor J1900, Quad Core, 2MB Cache, 2.0 GHz
- System Chipset: SOC integrated
- LAN Chipset: GbE1 & GbE2: Intel® I210-AT (Support Wake-on-LAN and PXE)
- Audio Codec: Realtek ALC888S
- System Memory: 1x 204-Pin DDR3L 1066/1333MHz SODIMM. Max. up to 8GB
- BIOS: AMI 64Mbit SPI BIOS
- Watchdog: Software Programmable Supports 1~255 sec. System Reset

Storage

- 1x External 2.5" SATA HDD Bay
- 1x mSATA (Shared by 1x Mini PCIe)
- 1x CFast (Shared by 1x mSATA & 1x Mini PCIe)
- 2x External SIM socket

Expansion

- Mini PCI Express: 2x Full-size Mini PCIe
 - 1x Full-size Mini PCIe socket with USIM socket (PCIe+USB+SATA)
 - 1x Full-size Mini PCIe socket with USIM socket (PCIe+USB)
- 2x Universal I/O Bracket (VIO-110/PC110 Series Only)

Other Features

- Internal Speaker: AMP 2W + 2W
- OSD: LCD On/Off, Auto, Menu, Up and Down Multi-language

I/O

- VGA: 1x VGA
- DisplayPort: 1x 1x DisplayPort
- COM
 - 4x RS-232/422/485
 - 2x RS-232/422/485 (internal)
- USB: 1x USB 3.0, 3x USB 2.0
- LAN: 2x RJ45
- Audio: 1x Mic-in, 1x Line-out
- DIO: 8 in / 8 out (Isolated)
- Others:
 - 3x WiFi Antenna Holes
 - 1x Power Switch, 1x AT/ATX Switch, 1x Remote Power On/Off

Operating System

- Windows 10
- Linux kernel 3.X

Power

- Power Mode: AT, ATX
- Power Supply Voltage: 9-50VDC
- Power Ignition Sensing: Power Ignition Management
- Power Connector: 3-pin Terminal Block
- Power Adaptor: Optional AC/DC 12V/5A, 60W
- Power Protection
 - OVP (Over Voltage Protection)
 - OCP (Over Current Protection)
 - Reverse Protection

Environment

- Operating Temp.: -10°C to 60°C
- Storage Temp.: -20°C to 70°C
- Relative Humidity: 10%~80% (non-condensing)
- IP Level: IP 65 Compliant Front Panel
- Standards / Certification: CE, FCC Class A

Physical

- Front Panel Construction: Die-cast Flat Surface
- **VIO-110R(C)/PC100**
 - Dimension: 300 (W) x 238.5 (D) x 64.7 (H)mm
 - Weight: 4.31 ~ 4.36 kg
- **VIO-110R(C)/PC110**
 - Dimension: 300 (W) x 238.5 (D) x 86.7(H)mm
 - Weight: 4.39 ~4.41 kg
- Mounting: VESA Mounting Holes 75 x 75mm, 100 x 100mm

1.2.2 VIO-212R(C)/PC100 | VIO-212R(C)/PC110

Hardware Specification

Display

- LCD Size: 12.1" (4:3)
- Max. Resolution: 1024 x 768 (XGA)
- Brightness (cd/m²): 600 / 1000 (optional)
- Contrast Ratio: 1000 : 1
- LCD Color: 16.2M
- Pixel Pitch (mm): 0.24 (H) x 0.24 (V)
- Viewing Angle (H-V): 178 / 178
- Backlight MTBF: 50000 hrs (LED Backlight)

Touch

- Resistive 5-Wire: VIO-212R/PC100 and VIO-212R/PC110 Only
- Projected Capacitive: VIO-212C/PC100 and VIO-212C/PC110 Only

System

- Processor: Intel® Celeron® Processor J1900, Quad Core, 2MB Cache, 2.0 GHz
- System Chipset: SOC integrated
- LAN Chipset: GbE1 & GbE2: Intel® I210-AT (Support Wake-on-LAN and PXE)
- Audio Codec: Realtek ALC888S
- System Memory: 1x 204-Pin DDR3L 1066/1333MHz SODIMM. Max. up to 8GB
- BIOS: AMI 64Mbit SPI BIOS
- Watchdog: Software Programmable Supports 1~255 sec. System Reset

Storage

- SSD/HDD: 1x External 2.5" SATA HDD Bay
- mSATA: 1x mSATA (Shared by 1x Mini PCIe)
- CFast: 1x CFast (Shared by 1x mSATA & 1x Mini PCIe)
- SIM Socket: 2x External SIM socket

Expansion

- Mini PCI Express: 2x Full-size Mini PCIe
 - 1x Full-size Mini PCIe socket with USIM socket (PCIe+USB+SATA)
 - 1x Full-size Mini PCIe socket with USIM socket (PCIe+USB)
- 2x Universal I/O Bracket (VIO-212/PC110 Series Only)

Other Features

- Internal Speaker: AMP 2W + 2W
- OSD: LCD On/Off, Auto, Menu, Up and Down Multi-language

I/O

- VGA: 1x VGA
- DisplayPort: 1x 1x DisplayPort
- COM
 - 4x RS-232/422/485
 - 2x RS-232/422/485 (internal)
- USB: 1x USB 3.0, 3x USB 2.0
- LAN: 2x RJ45
- Audio: 1x Mic-in, 1x Line-out
- DIO: 8 in / 8 out (Isolated)
- Others:
 - 3x WiFi Antenna Holes
 - 1x Power Switch, 1x AT/ATX Switch, 1x Remote Power On/Off

Operating System

- Windows: Windows 10
- Linux: Linux kernel 3.X

Power

- Power Mode: AT, ATX
- Power Supply Voltage: 9-50VDC
- Power Ignition Sensing: Power Ignition Management
- Power Connector: 3-pin Terminal Block
- Power Adaptor: Optional AC/DC 12V/5A, 60W
- Power Protection
 - OVP (Over Voltage Protection)
 - OCP (Over Current Protection)
 - Reverse Protection

Environment

- Operating Temp.: -10°C to 60°C
- Storage Temp.: -20°C to 70°C
- Relative Humidity: 10%~80% (non-condensing)
- IP Level: IP 65 Compliant Front Panel
- Standards / Certification: CE, FCC Class A

Physical

- Front Panel Construction: Die-cast Flat Surface
- **VIO-212R(C)/PC100**
 - Dimension: 319 (W) x 257 (D) x 61.7 (H)mm
 - Weight: 3.88 ~ 3.92 kg
- **VIO-212R(C)/PC110**
 - Dimension: 319 (W) x 257 (D) x 83.7 (H)mm
 - Weight: 4.28 ~ 4.37 kg
- Mounting: VESA Mounting Holes 75 x 75mm, 100 x 100mm

1.2.3 VIO-215R(C)/PC100 | VIO-215R(C)/PC100

Hardware Specification

Display

- LCD Size: 15" (4:3)
- Max. Resolution: 1024 x 768 (XGA)
- Brightness (cd/m²): 350 / 1000 (optional)
- Contrast Ratio: 1000 : 1
- LCD Color: 16.7M
- Pixel Pitch (mm): 0.297 (H) x 0.297 (V)
- Viewing Angle (H-V): 170 / 160
- Backlight MTBF: 50000 hrs (LED Backlight)

Touch

- Resistive 5-Wire: VIO-215R/PC100 and VIO-215R/PC110 Only
- Projected Capacitive: VIO-215C/PC100 and VIO-215C/PC110 Only

System

- Processor: Intel® Celeron® Processor J1900, Quad Core, 2MB Cache, 2.0 GHz
- System Chipset: SOC integrated
- LAN Chipset: GbE1 & GbE2: Intel® I210-AT (Support Wake-on-LAN and PXE)
- Audio Codec: Realtek ALC888S
- System Memory: 1x 204-Pin DDR3L 1066/1333MHz SODIMM. Max. up to 8GB
- BIOS: AMI 64Mbit SPI BIOS
- Watchdog: Software Programmable Supports 1~255 sec. System Reset

Storage

- SSD/HDD: 1x External 2.5" SATA HDD Bay
- mSATA: 1x mSATA (Shared by 1x Mini PCIe)
- CFast: 1x CFast (Shared by 1x mSATA & 1x Mini PCIe)
- SIM Socket: 2x External SIM socket

Expansion

- Mini PCI Express: 2x Full-size Mini PCIe
 - 1x Full-size Mini PCIe socket with USIM socket (PCIe+USB+SATA)
 - 1x Full-size Mini PCIe socket with USIM socket (PCIe+USB)
- 2x Universal I/O Bracket (VIO-215/PC110 Series Only)

Other Features

- Internal Speaker: AMP 10W + 10W
- OSD: LCD On/Off, Auto, Menu, Up and Down Multi-language

I/O

- VGA: 1x VGA
- DisplayPort: 1x 1x DisplayPort
- COM
 - 4x RS-232/422/485
 - 2x RS-232/422/485 (internal)
- USB: 1x USB 3.0, 3x USB 2.0
- LAN: 2x RJ45
- Audio: 1x Mic-in, 1x Line-out
- DIO: 8 in / 8 out (Isolated)
- Others:
 - 3x WiFi Antenna Holes
 - 1x Power Switch, 1x AT/ATX Switch, 1x Remote Power On/Off

Operating System

- Windows: Windows 10
- Linux: Linux kernel 3.X

Power

- Power Mode: AT, ATX
- Power Supply Voltage: 9-50VDC
- Power Ignition Sensing: Power Ignition Management
- Power Connector: 3-pin Terminal Block
- Power Adaptor: Optional AC/DC 12V/5A, 60W
- Power Protection
 - OVP (Over Voltage Protection)
 - OCP (Over Current Protection)
 - Reverse Protection

Environment

- Operating Temp.: -10°C to 60°C
- Storage Temp.: -20°C to 70°C
- Relative Humidity: 10%~80% (non-condensing)
- IP Level: IP 65 Compliant Front Panel
- Standards / Certification: CE, FCC Class A

Physical

- Front Panel Construction: Die-cast Flat Surface
- **VIO-215R(C)/PC100**
 - Dimension: 377 (W) x 301 (D) x 64.7 (H)mm
 - Weight: 5.12 ~ 5.16 kg
- **VIO-215R(C)/PC110**
 - Dimension: 377 (W) x 301 (D) x 86.7 (H)mm
 - Weight: 5.24 ~ 5.32 kg
- Mounting: VESA Mounting Holes 75 x 75mm, 100 x 100mm

1.2.4 VIO-W215R(C)/PC100 | VIO-W215R(C)/PC100

Hardware Specification

Display

- LCD Size: 15.6" (16:9)
- Max. Resolution: 1920 x 1080 (Full HD)
- Brightness (cd/m²): 500 / 1000 (optional)
- Contrast Ratio: 1000 : 1
- LCD Color: 16.7M
- Pixel Pitch (mm): 0.17925 (H) x 0.17925 (V)
- Viewing Angle (H-V): 178 / 178
- Backlight MTBF: 50000 hrs (LED Backlight)

Touch

- Resistive 5-Wire: VIO-W215R/PC100 and VIO-W215R/PC110 Only
- Projected Capacitive: VIO-W215C/PC100 and VIO-W215C/PC110 Only

System

- Processor: Intel® Celeron® Processor J1900, Quad Core, 2MB Cache, 2.0 GHz
- System Chipset: SOC integrated
- LAN Chipset: GbE1 & GbE2: Intel® I210-AT (Support Wake-on-LAN and PXE)
- Audio Codec: Realtek ALC888S
- System Memory: 1x 204-Pin DDR3L 1066/1333MHz SODIMM. Max. up to 8GB
- BIOS: AMI 64Mbit SPI BIOS
- Watchdog: Software Programmable Supports 1~255 sec. System Reset

Storage

- SSD/HDD: 1x External 2.5" SATA HDD Bay
- mSATA: 1x mSATA (Shared by 1x Mini PCIe)
- CFast: 1x CFast (Shared by 1x mSATA & 1x Mini PCIe)
- SIM Socket: 2x External SIM socket

Expansion

- Mini PCI Express: 2x Full-size Mini PCIe
 - 1x Full-size Mini PCIe socket with USIM socket (PCIe+USB+SATA)
 - 1x Full-size Mini PCIe socket with USIM socket (PCIe+USB)
- 2x Universal I/O Bracket (VIO-W215/PC110 Series Only)

Other Features

- Internal Speaker: AMP 10W + 10W
- OSD: LCD On/Off, Auto, Menu, Up and Down Multi-language

I/O

- VGA: 1x VGA
- DisplayPort: 1x 1x DisplayPort
- COM
 - 4x RS-232/422/485
 - 2x RS-232/422/485 (internal)
- USB: 1x USB 3.0, 3x USB 2.0
- LAN: 2x RJ45
- Audio: 1x Mic-in, 1x Line-out
- DIO: 8 in / 8 out (Isolated)
- Others:
 - 3x WiFi Antenna Holes
 - 1x Power Switch, 1x AT/ATX Switch, 1x Remote Power On/Off

Operating System

- Windows: Windows 10
- Linux: Linux kernel 3.X

Power

- Power Mode: AT, ATX
- Power Supply Voltage: 9-50VDC
- Power Ignition Sensing: Power Ignition Management
- Power Connector: 3-pin Terminal Block
- Power Adaptor: Optional AC/DC 12V/5A, 60W
- Power Protection
 - OVP (Over Voltage Protection)
 - OCP (Over Current Protection)
 - Reverse Protection

Environment

- Operating Temp.: -10°C to 60°C
- Storage Temp.: -20°C to 70°C
- Relative Humidity: 10%~80% (non-condensing)
- IP Level: IP 65 Compliant Front Panel
- Standards / Certification: CE, FCC Class A

Physical

- Front Panel Construction: Die-cast Flat Surface
- **VIO-W215R(C)/PC100**
 - Dimension: 398 (W) x 247 (D) x 70.7 (H)mm
 - Weight: 5.52 ~ 5.58 kg
- **VIO-W215R(C)/PC110**
 - Dimension: 398 (W) x 247 (D) x 92.7 (H)mm
 - Weight: 5.53 ~ 5.62 kg
- Mounting: VESA Mounting Holes 75 x 75mm, 100 x 100mm

1.2.5 VIO-217R(C)/PC100 | VIO-217R(C)/PC110

Hardware Specification

Display

- LCD Size: 17" (4:3)
- Max. Resolution: 1280 x 1024 (SXGA)
- Brightness (cd/m²): 350 / 1000 (optional)
- Contrast Ratio: 800 : 1
- LCD Color: 16.7M
- Pixel Pitch (mm): 0.264 (H) x 0.264 (V)
- Viewing Angle (H-V): 160 / 140
- Backlight MTBF: 50000 hrs (LED Backlight)

Touch

- Resistive 5-Wire: VIO-217R/PC100 and VIO-217R/PC110 Only
- Projected Capacitive: VIO-217C/PC100 and VIO-217C/PC110 Only

System

- Processor: Intel® Celeron® Processor J1900, Quad Core, 2MB Cache, 2.0 GHz
- System Chipset: SOC integrated
- LAN Chipset: GbE1 & GbE2: Intel® I210-AT (Support Wake-on-LAN and PXE)
- Audio Codec: Realtek ALC888S
- System Memory: 1x 204-Pin DDR3L 1066/1333MHz SODIMM. Max. up to 8GB
- BIOS: AMI 64Mbit SPI BIOS
- Watchdog: Software Programmable Supports 1~255 sec. System Reset

Storage

- SSD/HDD: 1x External 2.5" SATA HDD Bay
- mSATA: 1x mSATA (Shared by 1x Mini PCIe)
- CFast: 1x CFast (Shared by 1x mSATA & 1x Mini PCIe)
- SIM Socket: 2x External SIM socket

Expansion

- Mini PCI Express: 2x Full-size Mini PCIe
 - 1x Full-size Mini PCIe socket with USIM socket (PCIe+USB+SATA)
 - 1x Full-size Mini PCIe socket with USIM socket (PCIe+USB)
- 2x Universal I/O Bracket (VIO-217/PC110 Series Only)

Other Features

- Internal Speaker: AMP 10W + 10W
- OSD: LCD On/Off, Auto, Menu, Up and Down Multi-language

I/O

- VGA: 1x VGA
- DisplayPort: 1x 1x DisplayPort
- COM
 - 4x RS-232/422/485
 - 2x RS-232/422/485 (internal)
- USB: 1x USB 3.0, 3x USB 2.0
- LAN: 2x RJ45
- Audio: 1x Mic-in, 1x Line-out
- DIO: 8 in / 8 out (Isolated)
- Others:
 - 3x WiFi Antenna Holes
 - 1x Power Switch, 1x AT/ATX Switch, 1x Remote Power On/Off

Operating System

- Windows: Windows 10
- Linux: Linux kernel 3.X

Power

- Power Mode: AT, ATX
- Power Supply Voltage: 9-50VDC
- Power Ignition Sensing: Power Ignition Management
- Power Connector: 3-pin Terminal Block
- Power Adaptor: Optional AC/DC 12V/5A, 60W
- Power Protection
 - OVP (Over Voltage Protection)
 - OCP (Over Current Protection)
 - Reverse Protection

Environment

- Operating Temp.: -10°C to 60°C
- Storage Temp.: -20°C to 70°C
- Relative Humidity: 10%~80% (non-condensing)
- IP Level: IP 65 Compliant Front Panel
- Standards / Certification: CE, FCC Class A

Physical

- Front Panel Construction: Die-cast Flat Surface
- **VIO-217R(C)/PC100**
 - Dimension: 407.5 (W) x 339 (D) x 70.5 (H)mm
 - Weight: 6.08 ~ 6.11 kg
- **VIO-217R(C)/PC110**
 - Dimension: 407.5 (W) x 339 (D) x 92.5 (H)mm
 - Weight: 6.13 ~ 6.17 kg
- Mounting: VESA Mounting Holes 75 x 75mm, 100 x 100mm

1.2.6 VIO-219R(C)/PC100 | VIO-219R(C)/PC110

Hardware Specification

Display

- LCD Size: 19" (4:3)
- Max. Resolution: 1280 x 1024 (SXGA)
- Brightness (cd/m²): 350 / 1000 (optional)
- Contrast Ratio: 1000 : 1
- LCD Color: 16.7M
- Pixel Pitch (mm): 0.294 (H) x 0.294 (V)
- Viewing Angle (H-V): 170 / 160
- Backlight MTBF: 50000 hrs (LED Backlight)

Touch

- Resistive 5-Wire: VIO-219R/PC100 and VIO-219R/PC110 Only
- Projected Capacitive: VIO-219C/PC100 and VIO-219C/PC110 Only

System

- Processor: Intel® Celeron® Processor J1900, Quad Core, 2MB Cache, 2.0 GHz
- System Chipset: SOC integrated
- LAN Chipset: GbE1 & GbE2: Intel® I210-AT (Support Wake-on-LAN and PXE)
- Audio Codec: Realtek ALC888S
- System Memory: 1x 204-Pin DDR3L 1066/1333MHz SODIMM. Max. up to 8GB
- BIOS: AMI 64Mbit SPI BIOS
- Watchdog: Software Programmable Supports 1~255 sec. System Reset

Storage

- SSD/HDD: 1x External 2.5" SATA HDD Bay
- mSATA: 1x mSATA (Shared by 1x Mini PCIe)
- CFast: 1x CFast (Shared by 1x mSATA & 1x Mini PCIe)
- SIM Socket: 2x External SIM socket

Expansion

- Mini PCI Express: 2x Full-size Mini PCIe
 - 1x Full-size Mini PCIe socket with USIM socket (PCIe+USB+SATA)
 - 1x Full-size Mini PCIe socket with USIM socket (PCIe+USB)
- 2x Universal I/O Bracket (VIO-219/PC110 Series Only)

Other Features

- Internal Speaker: AMP 10W + 10W
- OSD: LCD On/Off, Auto, Menu, Up and Down Multi-language

I/O

- VGA: 1x VGA
- DisplayPort: 1x 1x DisplayPort
- COM
 - 4x RS-232/422/485
 - 2x RS-232/422/485 (internal)
- USB: 1x USB 3.0, 3x USB 2.0
- LAN: 2x RJ45
- Audio: 1x Mic-in, 1x Line-out
- DIO: 8 in / 8 out (Isolated)
- Others:
 - 3x WiFi Antenna Holes
 - 1x Power Switch, 1x AT/ATX Switch, 1x Remote Power On/Off

Operating System

- Windows: Windows 10
- Linux: Linux kernel 3.X

Power

- Power Mode: AT, ATX
- Power Supply Voltage: 9-50VDC
- Power Ignition Sensing: Power Ignition Management
- Power Connector: 3-pin Terminal Block
- Power Adaptor: Optional AC/DC 12V/5A, 60W
- Power Protection
 - OVP (Over Voltage Protection)
 - OCP (Over Current Protection)
 - Reverse Protection

Environment

- Operating Temp.: -10°C to 50°C
- Storage Temp.: -20°C to 60°C
- Relative Humidity: 10%~80% (non-condensing)
- IP Level: IP 65 Compliant Front Panel
- Standards / Certification: CE, FCC Class A

Physical

- Front Panel Construction: Die-cast Flat Surface
- **VIO-219R(C)/PC100**
 - Dimension: 450 (W) x 375 (D) x 71 (H)mm
 - Weight: 7.19 ~ 7.23 kg
- **VIO-219R(C)/PC110**
 - Dimension: 450 (W) x 375 (D) x 93 (H)mm
 - Weight: 7.18 ~ 7.26 kg
- Mounting: VESA Mounting Holes 75 x 75mm, 100 x 100mm

1.2.7 VIO-W221R(C)/PC100 | VIO-W221R(C)/PC110

Hardware Specification

Display

- LCD Size: 21.5" (16:9)
- Max. Resolution: 1920 x 1080 (Full HD)
- Brightness (cd/m²): 500 / 1000 (optional)
- Contrast Ratio: 1000 : 1
- LCD Color: 16.7M
- Pixel Pitch (mm): 0.248 (H) x 0.248 (V)
- Viewing Angle (H-V): 178 / 178
- Backlight MTBF: 30000 hrs (LED Backlight)

Touch

- Resistive 5-Wire: VIO-W221R/PC100 and VIO-W121R/PC110 Only
- Projected Capacitive: VIO-W221C/PC100 and VIO-W121C/PC110 Only

System

- Processor: Intel® Celeron® Processor J1900, Quad Core, 2MB Cache, 2.0 GHz
- System Chipset: SOC integrated
- LAN Chipset: GbE1 & GbE2: Intel® I210-AT (Support Wake-on-LAN and PXE)
- Audio Codec: Realtek ALC888S
- System Memory: 1x 204-Pin DDR3L 1066/1333MHz SODIMM. Max. up to 8GB
- BIOS: AMI 64Mbit SPI BIOS
- Watchdog: Software Programmable Supports 1~255 sec. System Reset

Storage

- SSD/HDD: 1x External 2.5" SATA HDD Bay
- mSATA: 1x mSATA (Shared by 1x Mini PCIe)
- CFast: 1x CFast (Shared by 1x mSATA & 1x Mini PCIe)
- SIM Socket: 2x External SIM socket

Expansion

- Mini PCI Express: 2x Full-size Mini PCIe
 - 1x Full-size Mini PCIe socket with USIM socket (PCIe+USB+SATA)
 - 1x Full-size Mini PCIe socket with USIM socket (PCIe+USB)
- 2x Universal I/O Bracket (VIO-W221/PC110 Series Only)

Other Features

- Internal Speaker: AMP 10W + 10W
- OSD: LCD On/Off, Auto, Menu, Up and Down Multi-language

I/O

- VGA: 1x VGA
- DisplayPort: 1x 1x DisplayPort
- COM
 - 4x RS-232/422/485
 - 2x RS-232/422/485 (internal)
- USB: 1x USB 3.0, 3x USB 2.0
- LAN: 2x RJ45
- Audio: 1x Mic-in, 1x Line-out
- DIO: 8 in / 8 out (Isolated)
- Others:
 - 3x WiFi Antenna Holes
 - 1x Power Switch, 1x AT/ATX Switch, 1x Remote Power On/Off

Operating System

- Windows: Windows 10
- Linux: Linux kernel 3.X

Power

- Power Mode: AT, ATX
- Power Supply Voltage: 9-50VDC
- Power Ignition Sensing: Power Ignition Management
- Power Connector: 3-pin Terminal Block
- Power Adaptor: Optional AC/DC 12V/5A, 60W
- Power Protection
 - OVP (Over Voltage Protection)
 - OCP (Over Current Protection)
 - Reverse Protection

Environment

- Operating Temp.: -10°C to 50°C
- Storage Temp.: -20°C to 60°C
- Relative Humidity: 10%~80% (non-condensing)
- IP Level: IP 65 Compliant Front Panel
- Standards / Certification: CE, FCC Class A

Physical

- Front Panel Construction: Die-cast Flat Surface
- **VIO-W221R(C)/PC100**
 - Dimension: 528.5 (W) x 324 (D) x 71 (H)mm
 - Weight: 7.58 ~ 7.63 kg
- **VIO-W221R(C)/PC110**
 - Dimension: 528.5 (W) x 324 (D) x 93 (H)mm
 - Weight: 7.63 ~ 7.68 kg
- Mounting: VESA Mounting Holes 75 x 75mm, 100 x 100mm

1.2.8 VIO-W224R(C)/PC100 | VIO-W224R(C)/PC110

Hardware Specification

Display

- LCD Size: 23.8" (16:9)
- Max. Resolution: 1920 x 1080 (Full HD)
- Brightness (cd/m²): 450
- Contrast Ratio: 1000 : 1
- LCD Color: 16.7M
- Pixel Pitch (mm): 0.2745 (H) x 0.2745 (V)
- Viewing Angle (H-V): 178 / 178
- Backlight MTBF: 30000 hrs (LED Backlight)

Touch

- Resistive 5-Wire: VIO-W224R/PC100 and VIO-W224R/PC110 Only
- Projected Capacitive: VIO-W224C/PC100 and VIO-W224C/PC110 Only

System

- Processor: Intel® Celeron® Processor J1900, Quad Core, 2MB Cache, 2.0 GHz
- System Chipset: SOC integrated
- LAN Chipset: GbE1 & GbE2: Intel® I210-AT (Support Wake-on-LAN and PXE)
- Audio Codec: Realtek ALC888S
- System Memory: 1x 204-Pin DDR3L 1066/1333MHz SODIMM. Max. up to 8GB
- BIOS: AMI 64Mbit SPI BIOS
- Watchdog: Software Programmable Supports 1~255 sec. System Reset

Storage

- SSD/HDD: 1x External 2.5" SATA HDD Bay
- mSATA: 1x mSATA (Shared by 1x Mini PCIe)
- CFast: 1x CFast (Shared by 1x mSATA & 1x Mini PCIe)
- SIM Socket: 2x External SIM socket

Expansion

- Mini PCI Express: 2x Full-size Mini PCIe
 - 1x Full-size Mini PCIe socket with USIM socket (PCIe+USB+SATA)
 - 1x Full-size Mini PCIe socket with USIM socket (PCIe+USB)
- 2x Universal I/O Bracket (VIO-W224/PC110 Series Only)

Other Features

- Internal Speaker: AMP 10W + 10W
- OSD: LCD On/Off, Auto, Menu, Up and Down Multi-language

I/O

- VGA: 1x VGA
- DisplayPort: 1x 1x DisplayPort
- COM
 - 4x RS-232/422/485
 - 2x RS-232/422/485 (internal)
- USB: 1x USB 3.0, 3x USB 2.0
- LAN: 2x RJ45
- Audio: 1x Mic-in, 1x Line-out
- DIO: 8 in / 8 out (Isolated)
- Others:
 - 3x WiFi Antenna Holes
 - 1x Power Switch, 1x AT/ATX Switch, 1x Remote Power On/Off

Operating System

- Windows: Windows 10
- Linux: Linux kernel 3.X

Power

- Power Mode: AT, ATX
- Power Supply Voltage: 9-50VDC
- Power Ignition Sensing: Power Ignition Management
- Power Connector: 3-pin Terminal Block
- Power Adaptor: Optional AC/DC 12V/5A, 60W
- Power Protection
 - OVP (Over Voltage Protection)
 - OCP (Over Current Protection)
 - Reverse Protection

Environment

- Operating Temp.: -10°C to 50°C
- Storage Temp.: -20°C to 60°C
- Relative Humidity: 10%~80% (non-condensing)
- IP Level: IP 65 Compliant Front Panel
- Standards / Certification: CE, FCC Class A

Physical

- Front Panel Construction: Die-cast Flat Surface
- **VIO-W221R(C)/PC100**
 - Dimension: 588 (W) x 360 (D) x 71.8 (H)mm
 - Weight: 9.91 ~ 10.16 kg
- **VIO-W221R(C)/PC110**
 - Dimension: 588 (W) x 360 (D) x 93.8 (H)mm
 - Weight: 10.20 ~ 10.45 kg
- Mounting: VESA Mounting Holes 75 x 75mm, 100 x 100mm

1.3 System I/O

1.3.1 Front

Antenna hole

Used to connect an antenna for optional Mini-PCIe WiFi module

CFast Socket

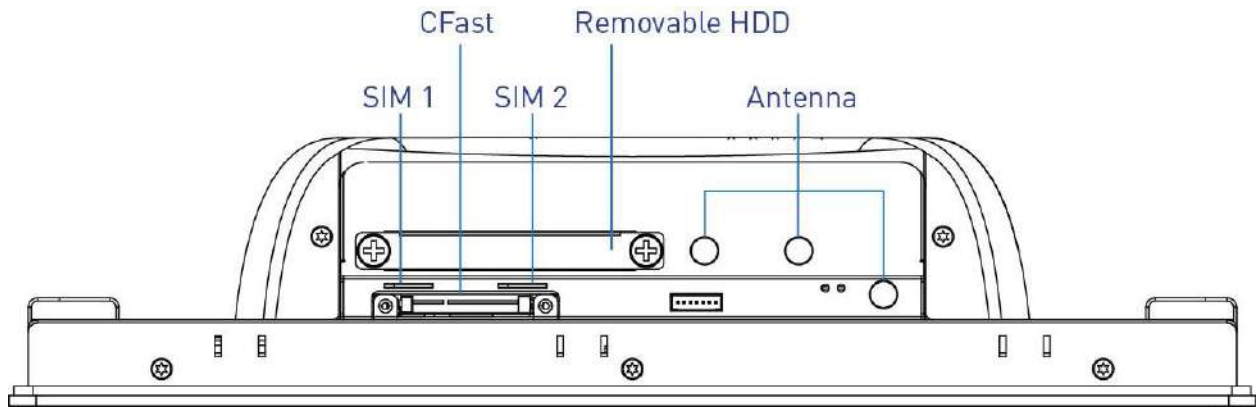
Used to insert CFast card

SIM card

Used to insert SIM card

Removable HDD Bay

Used to insert a 2.5" HDD or SSD



1.3.2 Rear

DC IN

Used to plug a DC power input with terminal block

VGA

Used to connect an analog VGA monitor

DisplayPort

Used to connect a DisplayPort monitor

USB 3.0 port

Used to connect USB 3.0/2.0/1.1 device

USB 2.0 port

Used to connect USB 2.0/1.1 device

LAN port

Used to connect the system to a local area network

Line-out

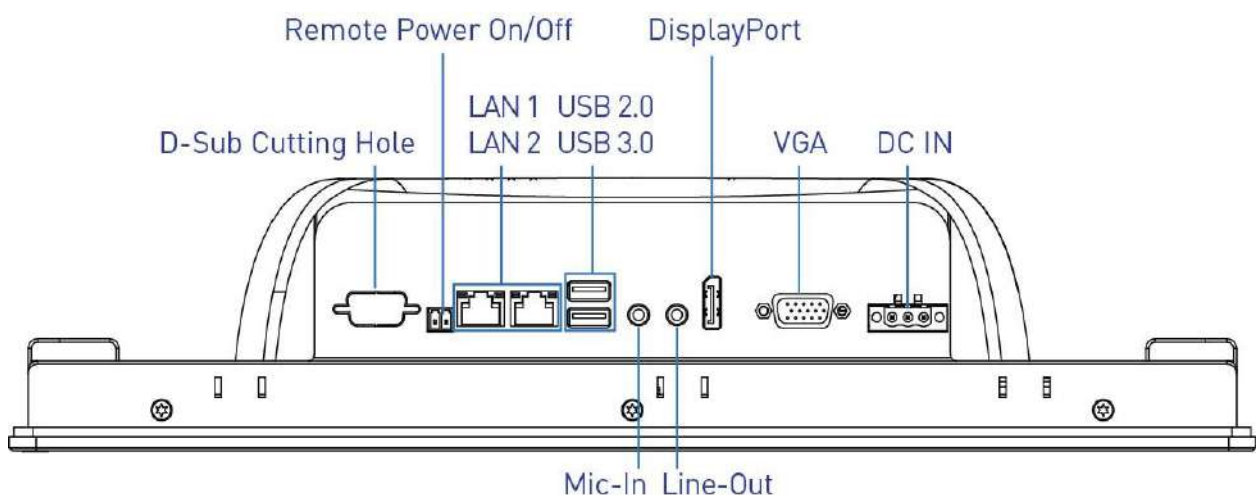
Used to connect a speaker

Mic-in

Used to connect a microphone

Remote Power on/off Terminal Block

Used to plug a remote power on/off terminal block



1.3.3 Side (Left)

Universal I/O Bracket

Used to customized I/O output
(VIO-100/PC110 and VIO-200/PC110 series only)

COM port

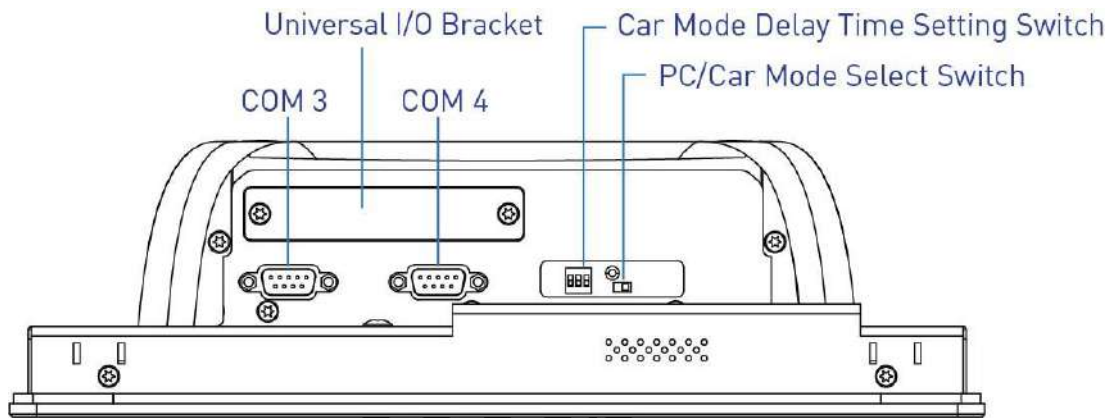
COM 3/4 support RS232/422/485 serial device

12V/24V mode select switch

Used to select Car power input voltage

DELAY TIME switch

Used to select Car power turn off delay-time



1.3.4 Side (Right)

COM port

COM 1/2 support RS232/422/485 serial device

USB 2.0 port

Used to connect USB 2.0/1.1 device

Digital I/O Terminal Block

The Digital I/O terminal block supports 8 digital input and 8 digital output

Reset switch

Press to reset the system

Universal I/O Bracket

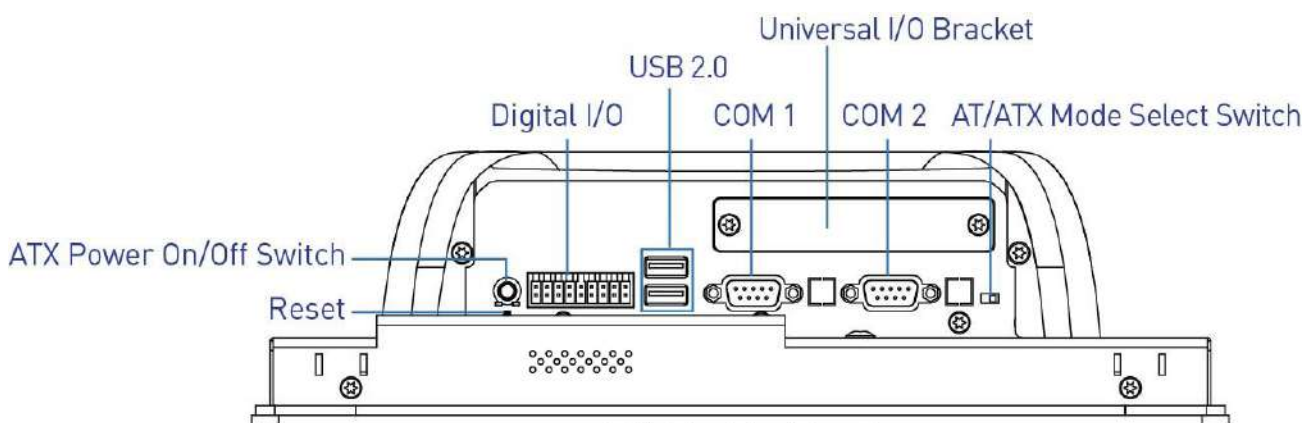
Used to customized I/O output
(VIO-100/PC110 and VIO-200/PC110 series only)

ATX power on/off switch

Press to power-on or power-off the system

Reset switch

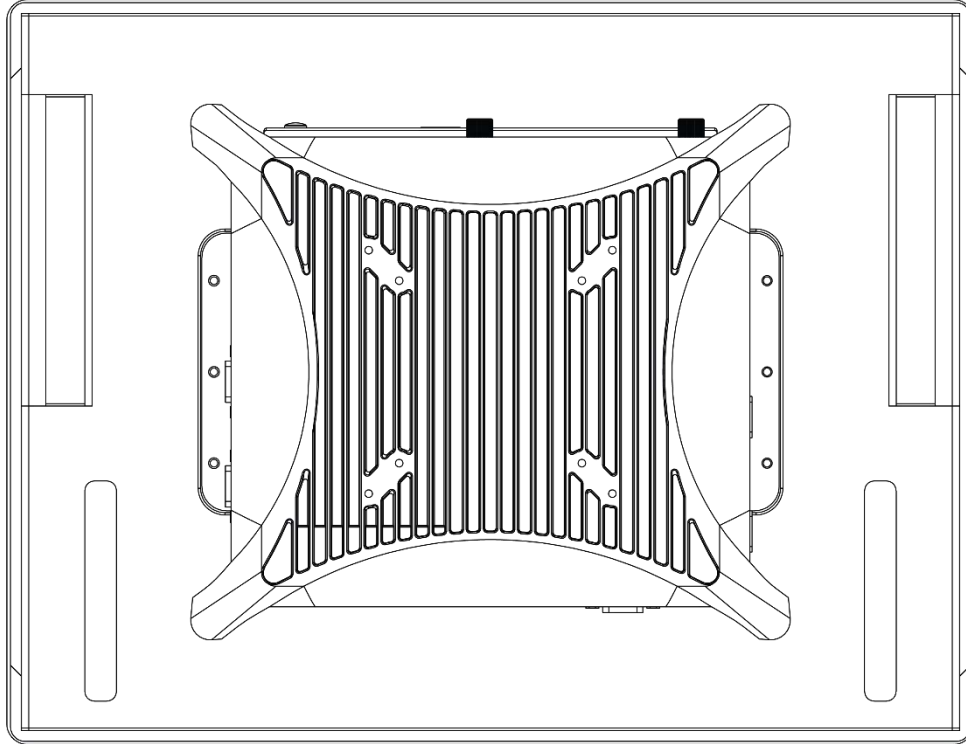
Press to reset the system



1.3.5 TOP

VESA Mounting Hole

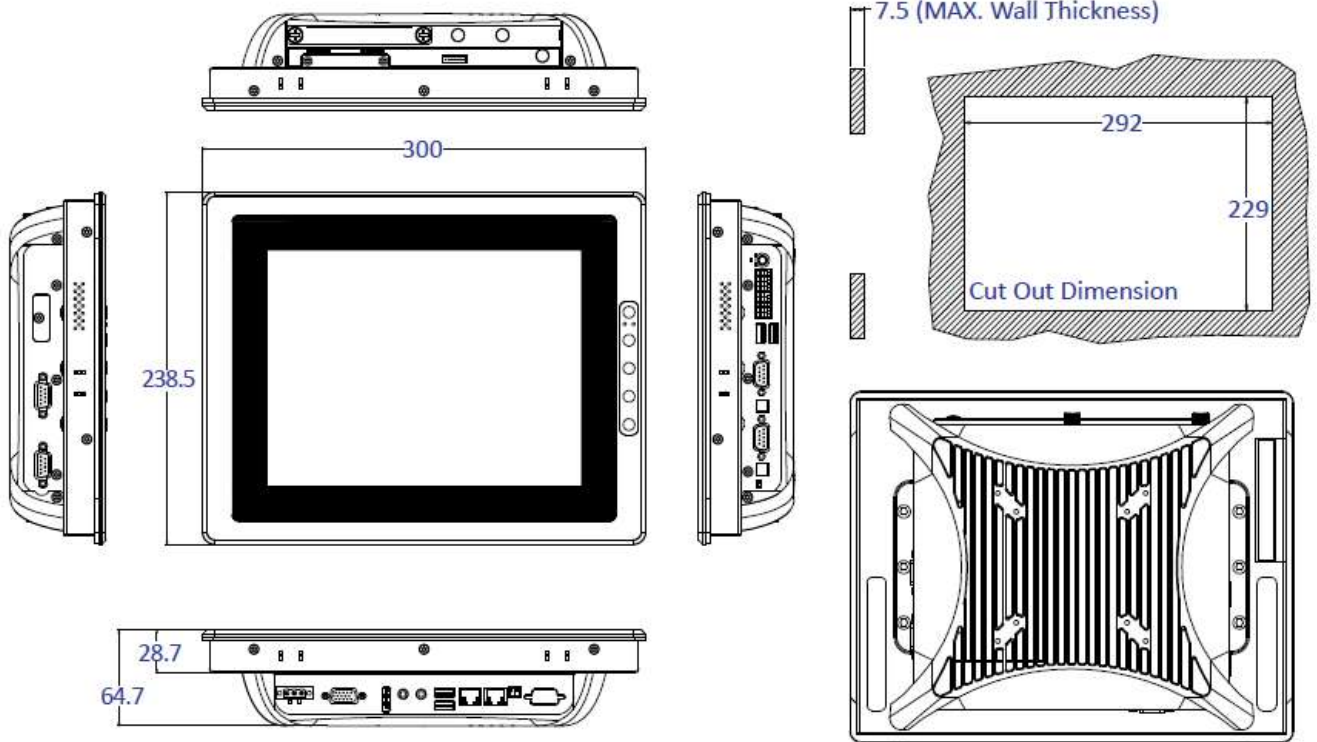
These are mounting holes for VESA mount (75x75mm and 100x100mm)



1.4 Mechanical Dimensions

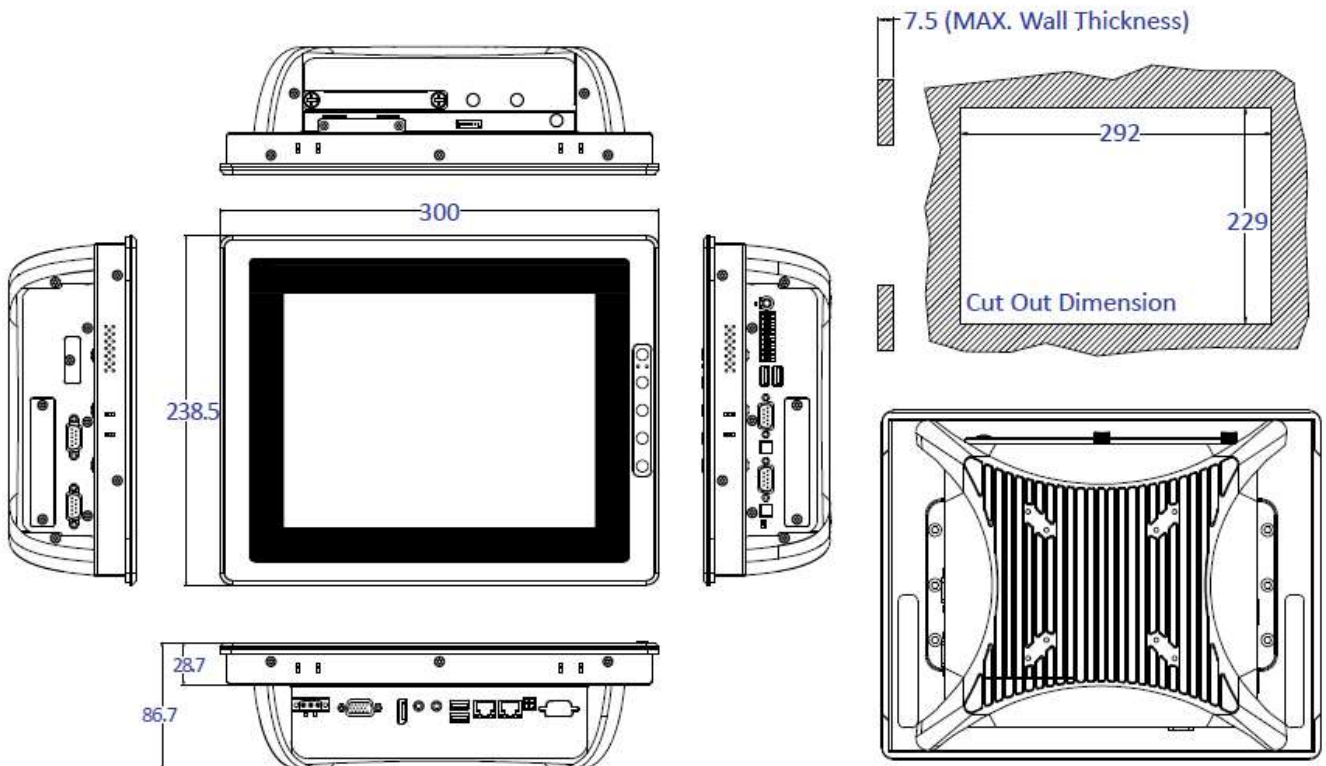
1.4.1 VIO-110R(C)/PC100

Unit: mm

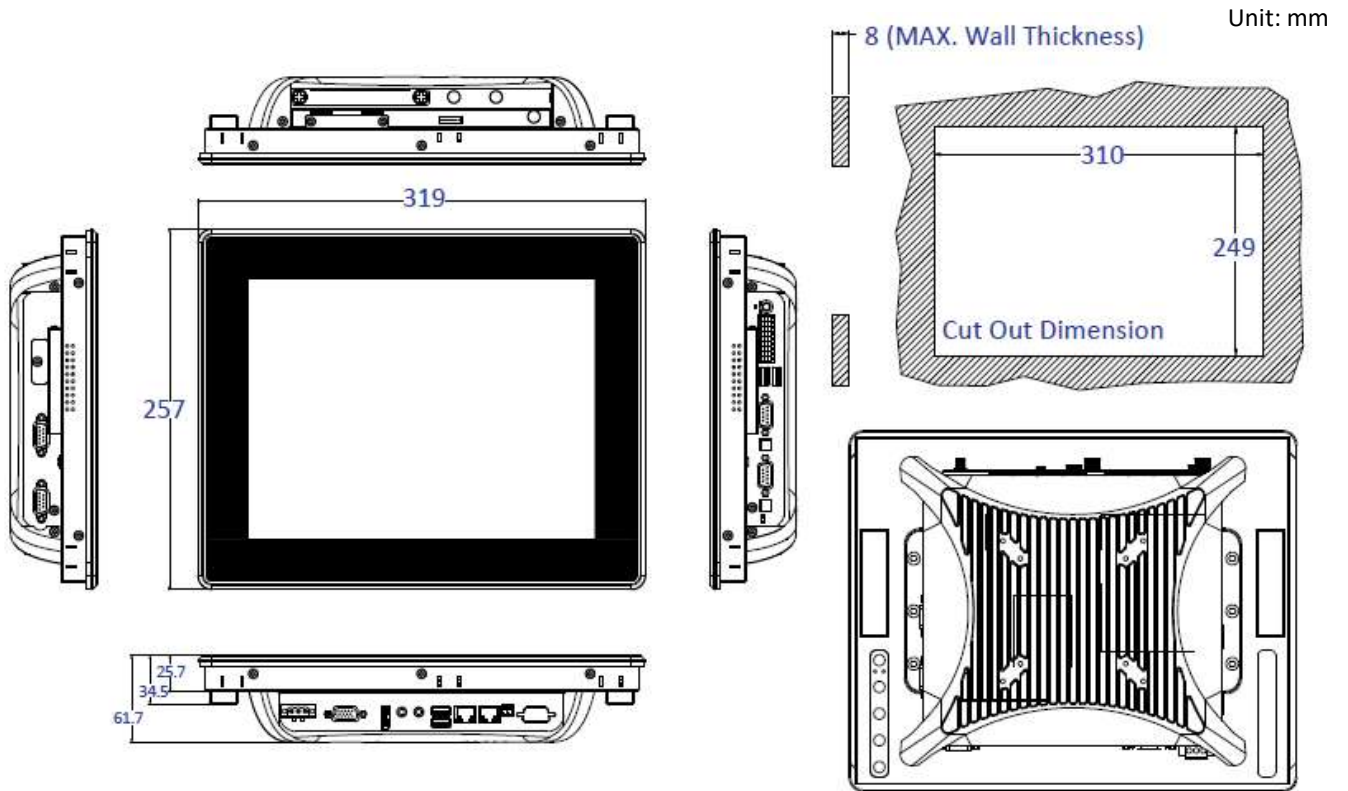


VIO-110R(C)/PC110

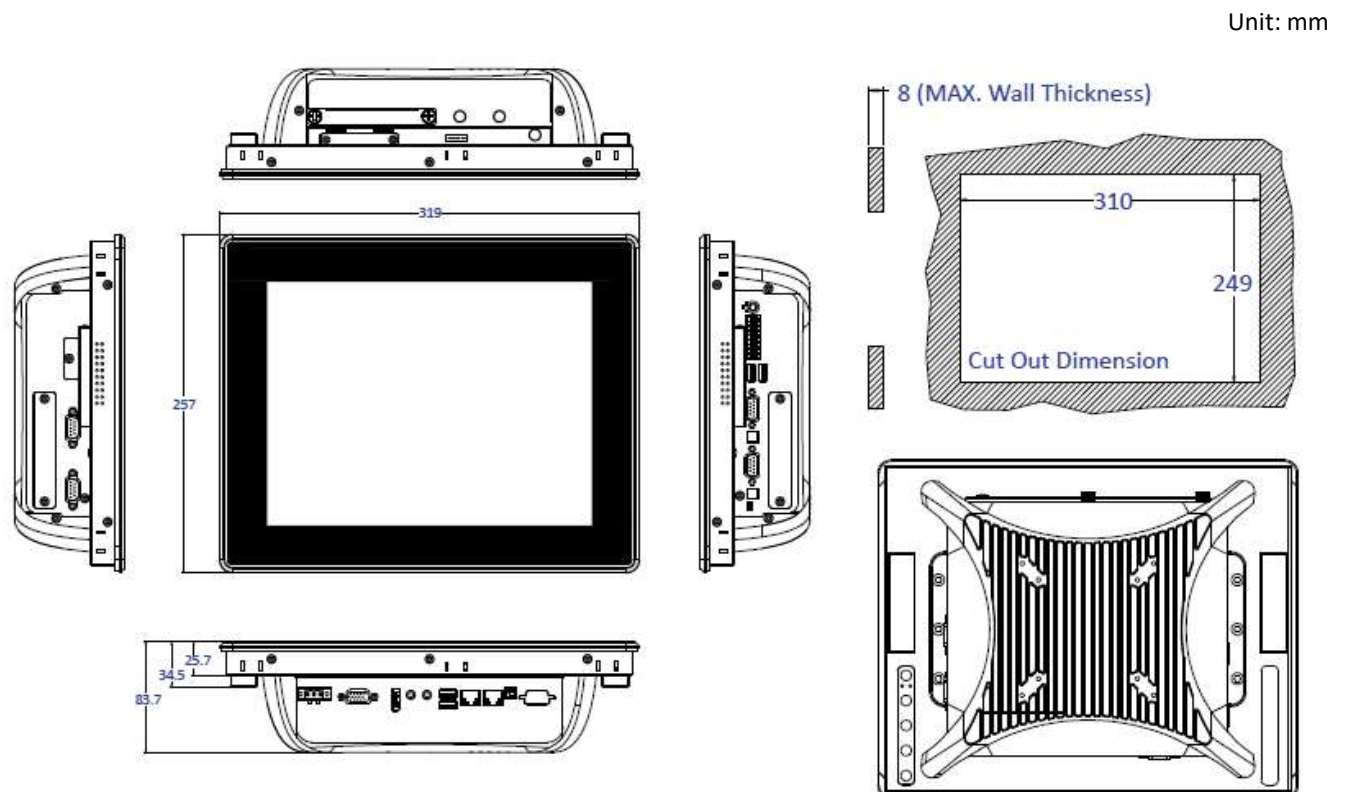
Unit: mm



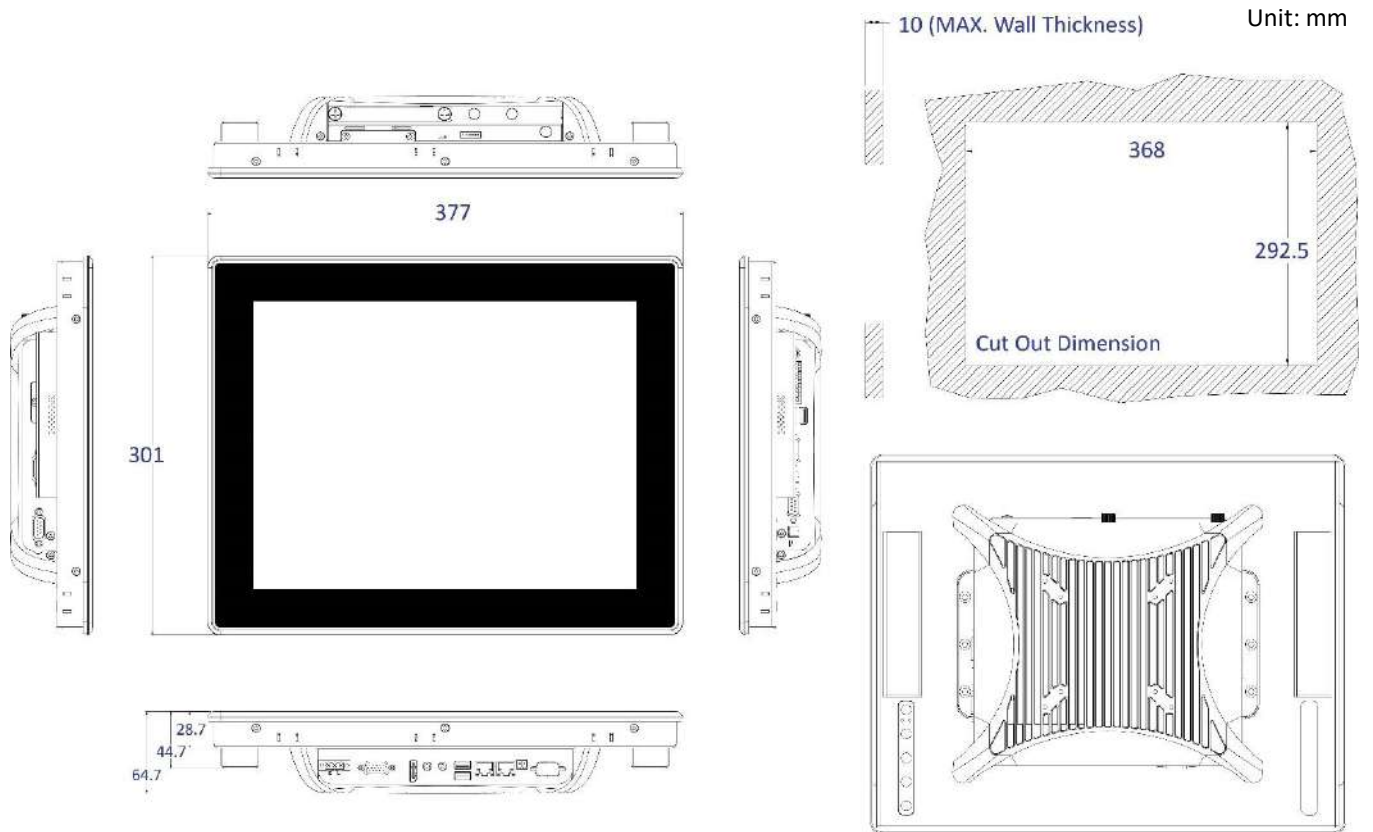
1.4.2 VIO-212R(C)/PC100



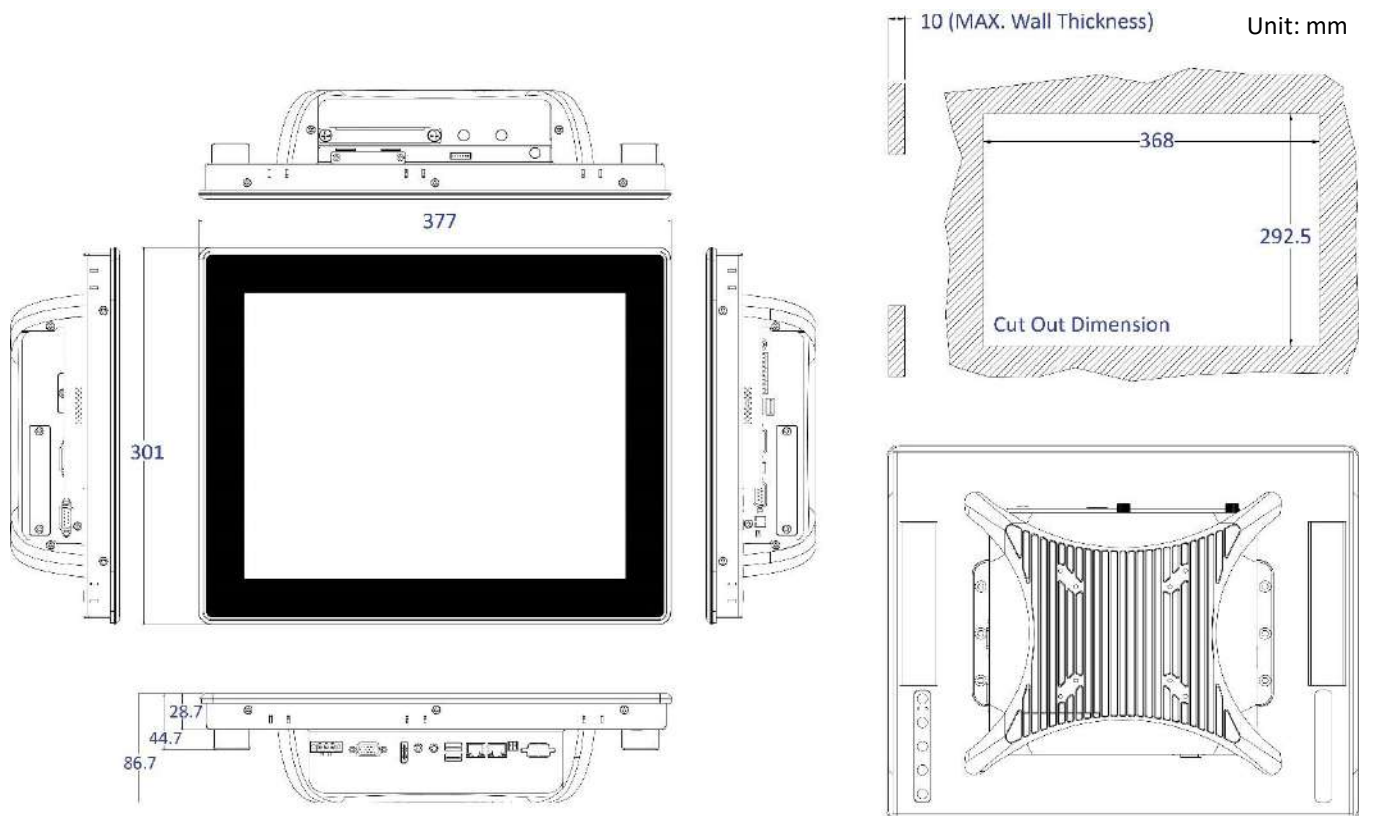
VIO-212R(C)/PC110



1.4.3 VIO-215R(C)/PC100

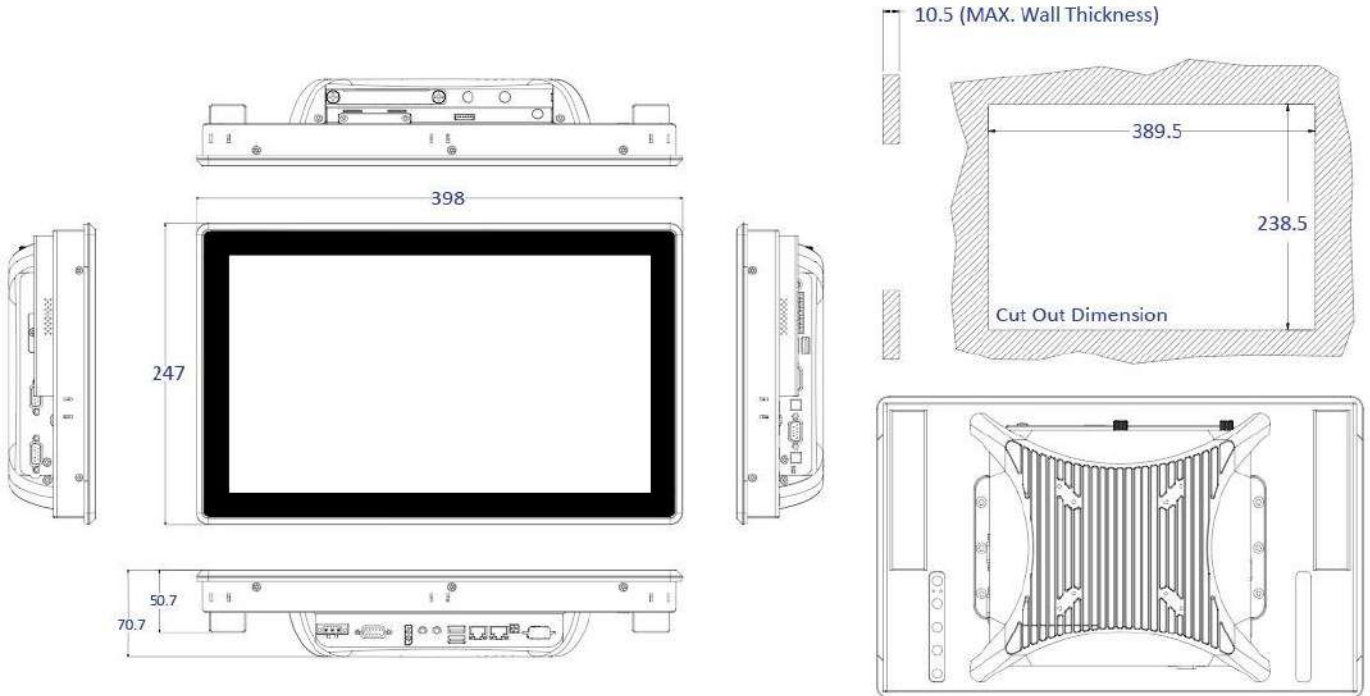


VIO-215R(C)/PC110



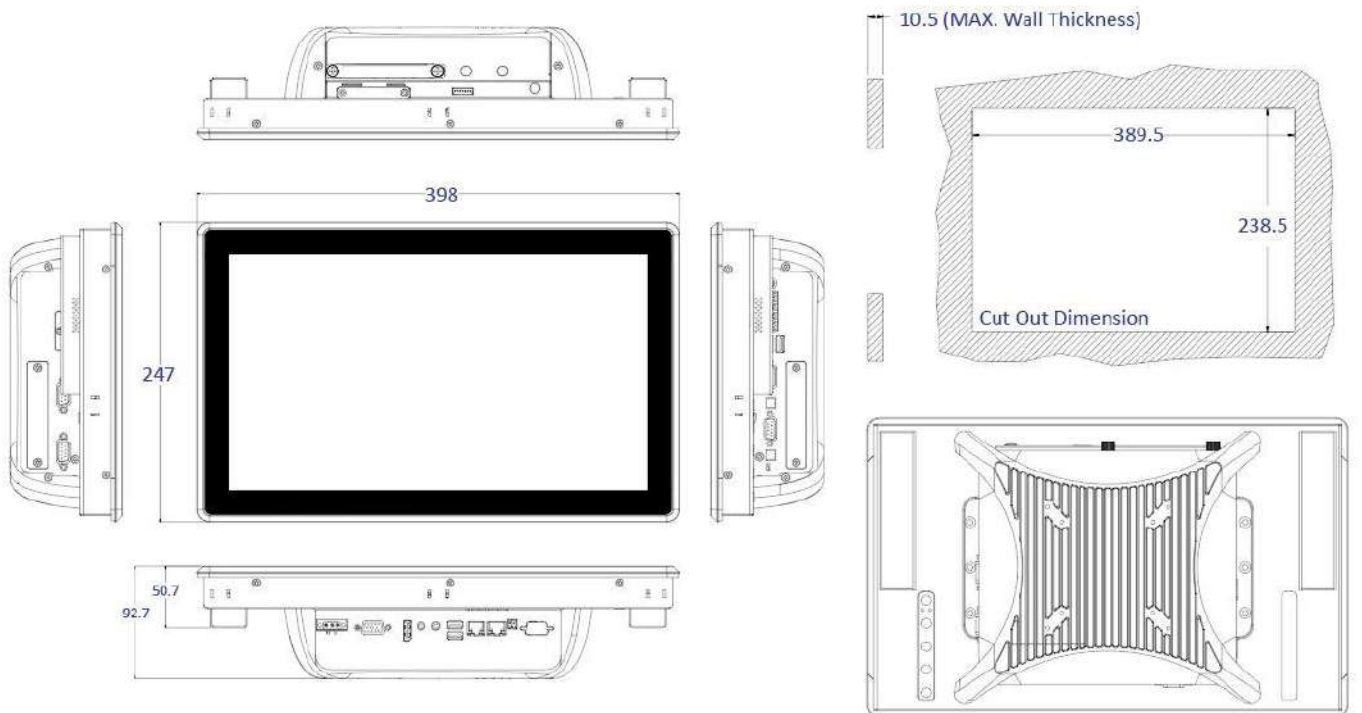
1.4.4 VIO-W215R(C)/PC100

Unit: mm

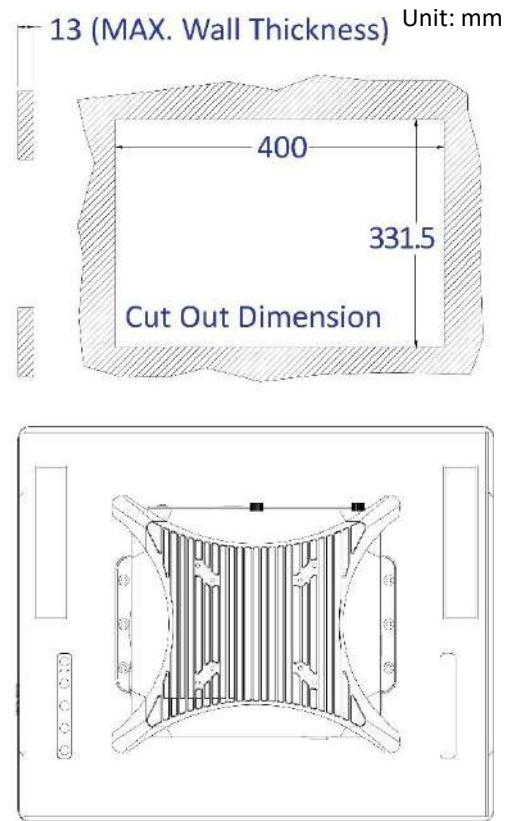
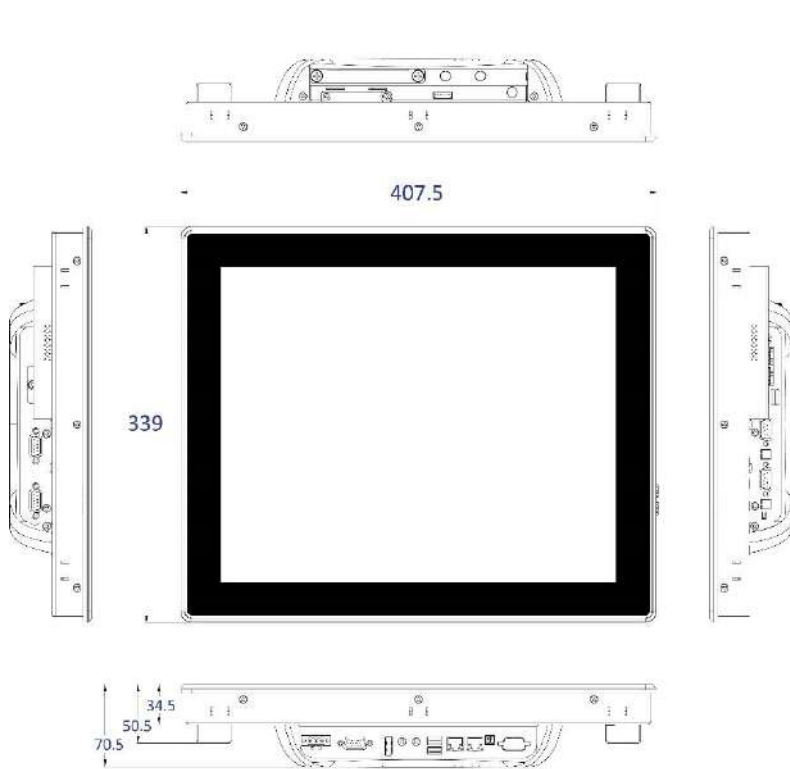


VIO-W215R(C)/PC110

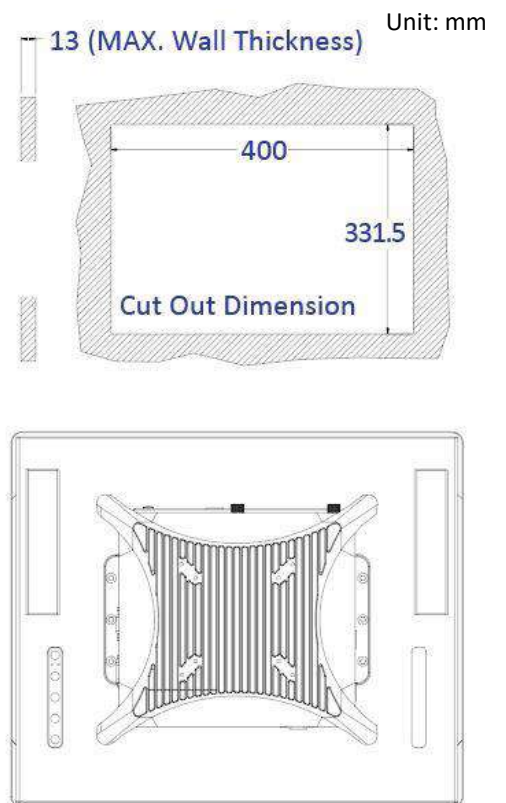
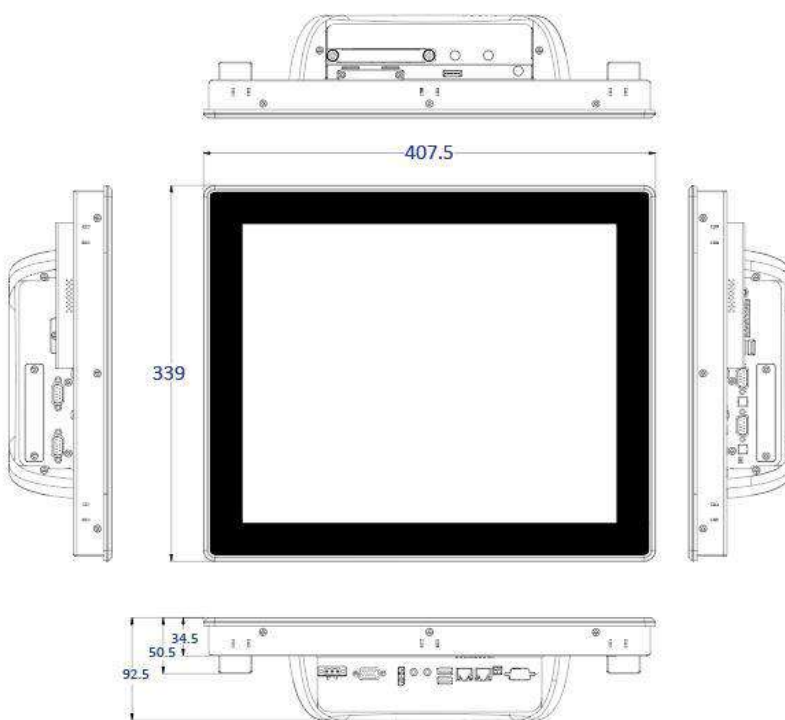
Unit: mm



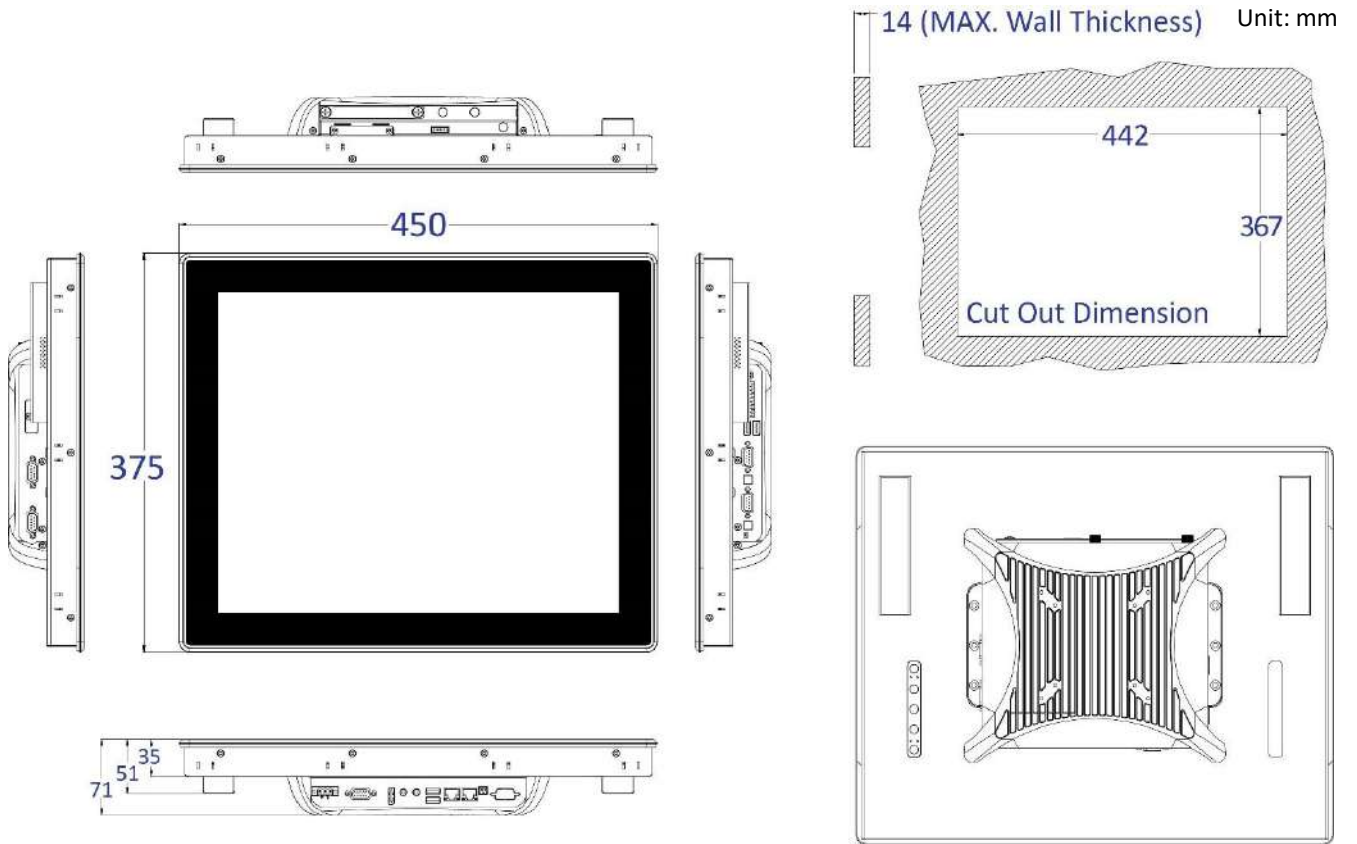
1.4.5 VIO-217R(C)/PC100



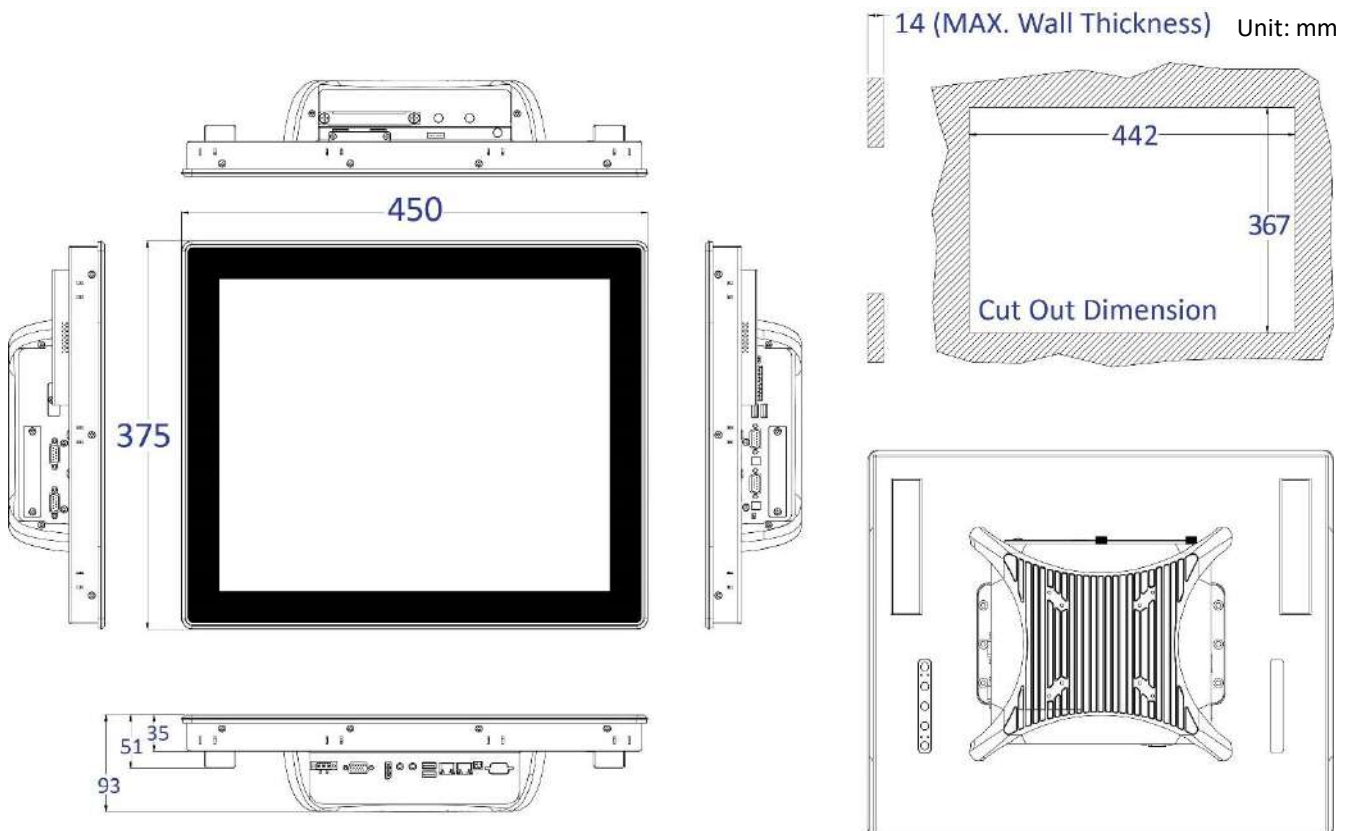
VIO-217R(C)/PC110



1.4.6 VIO-219R(C)/PC100

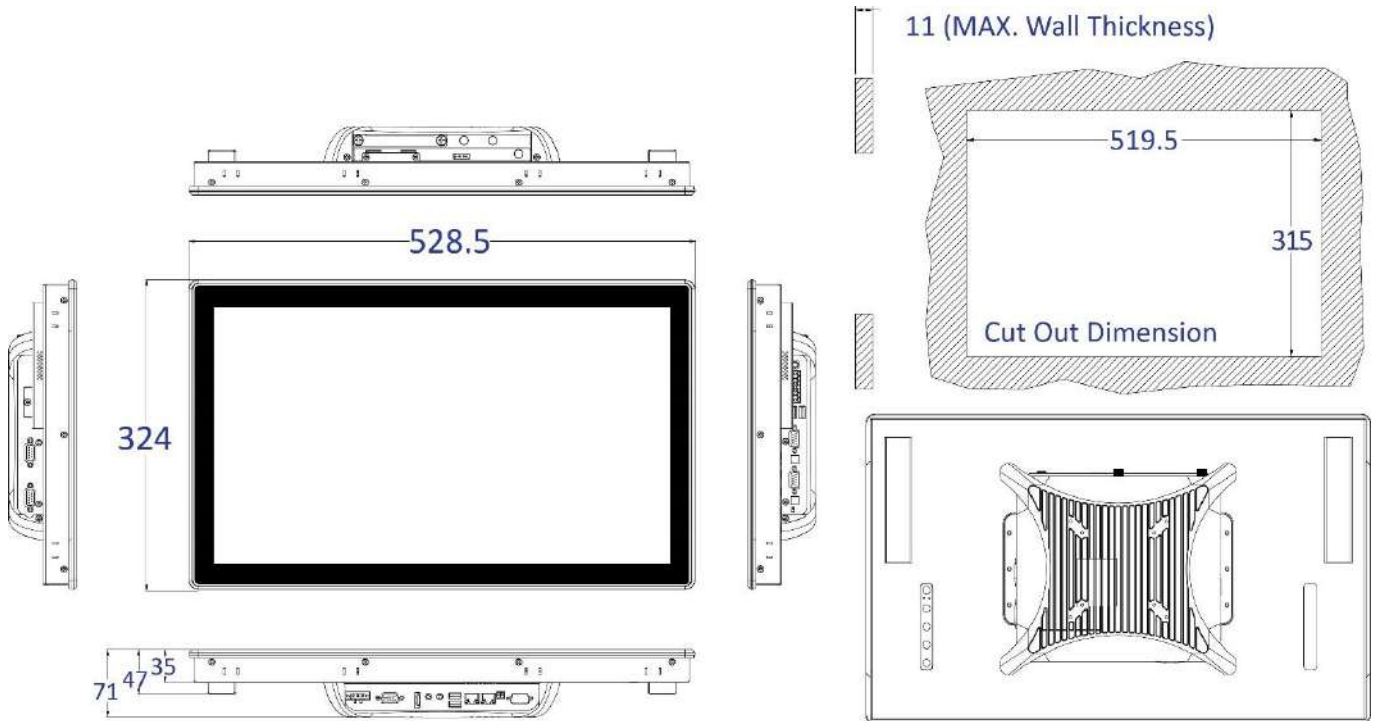


VIO-219R(C)/PC110



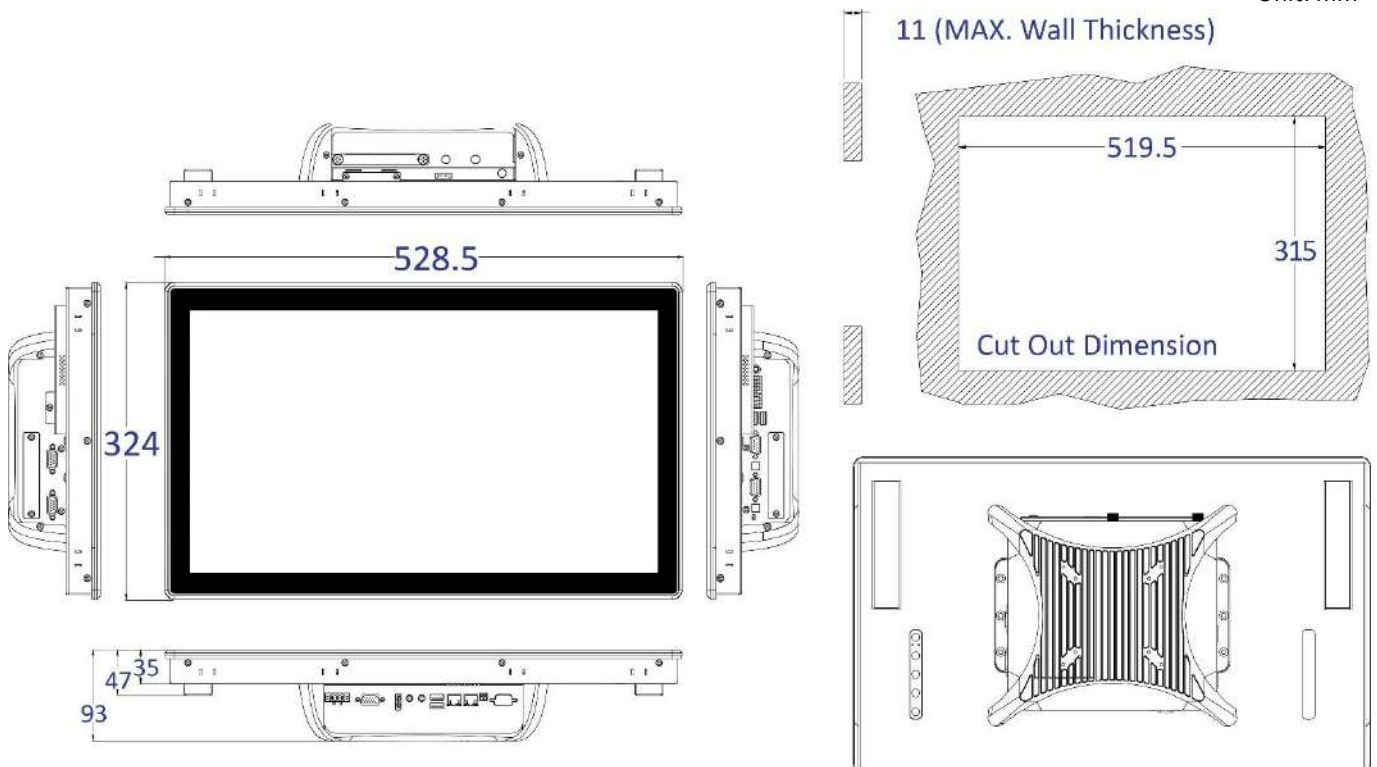
1.4.7 VIO-W221R(C)/PC100

Unit: mm



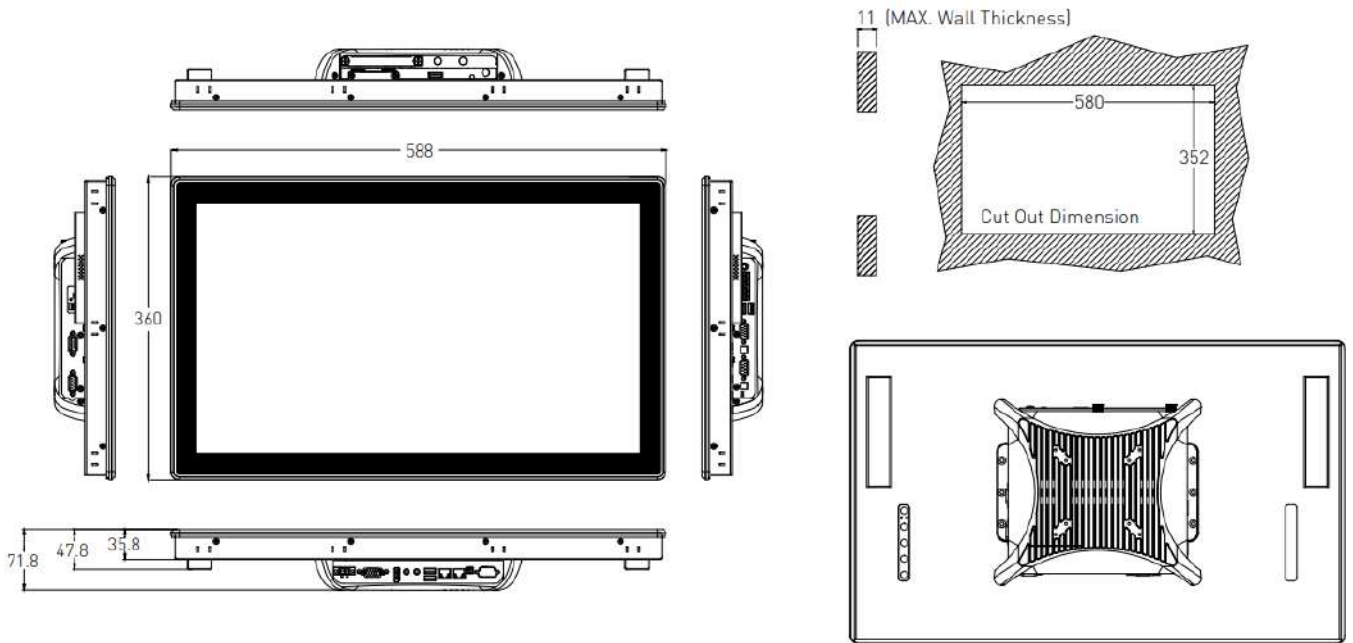
VIO-W221R(C)/PC110

Unit: mm



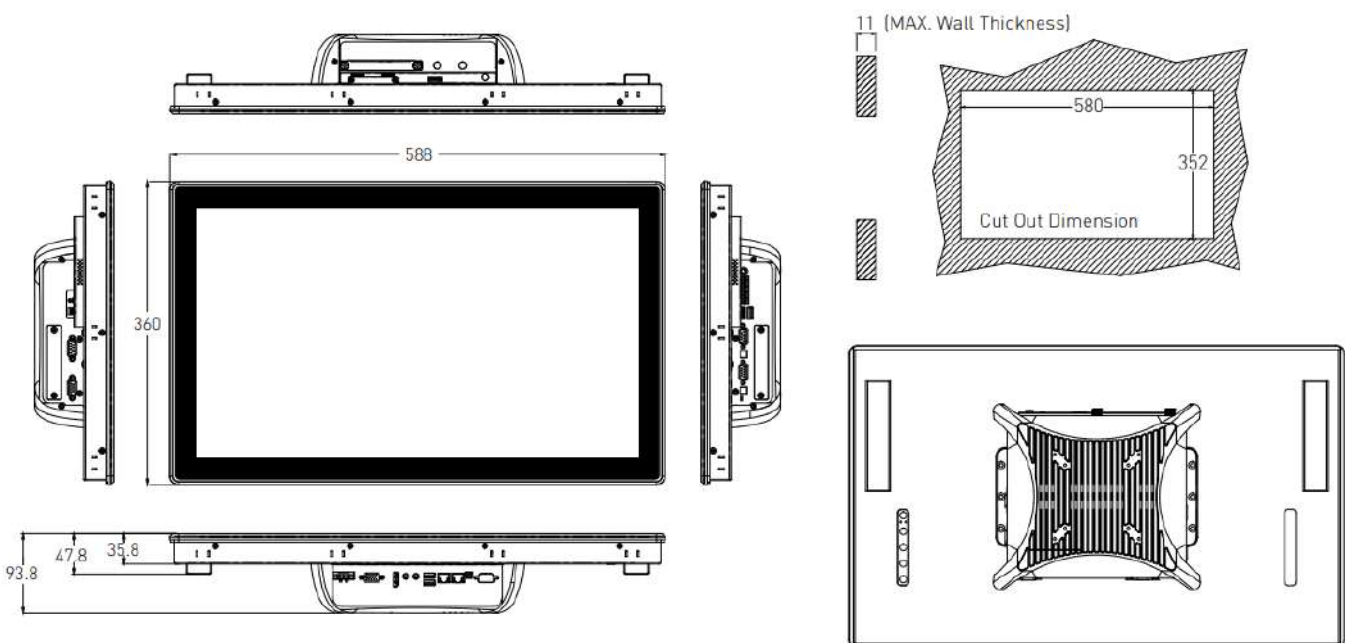
1.4.8 VIO-W224R(C)/PC100

Unit: mm



VIO-W224R(C)/PC110

Unit: mm

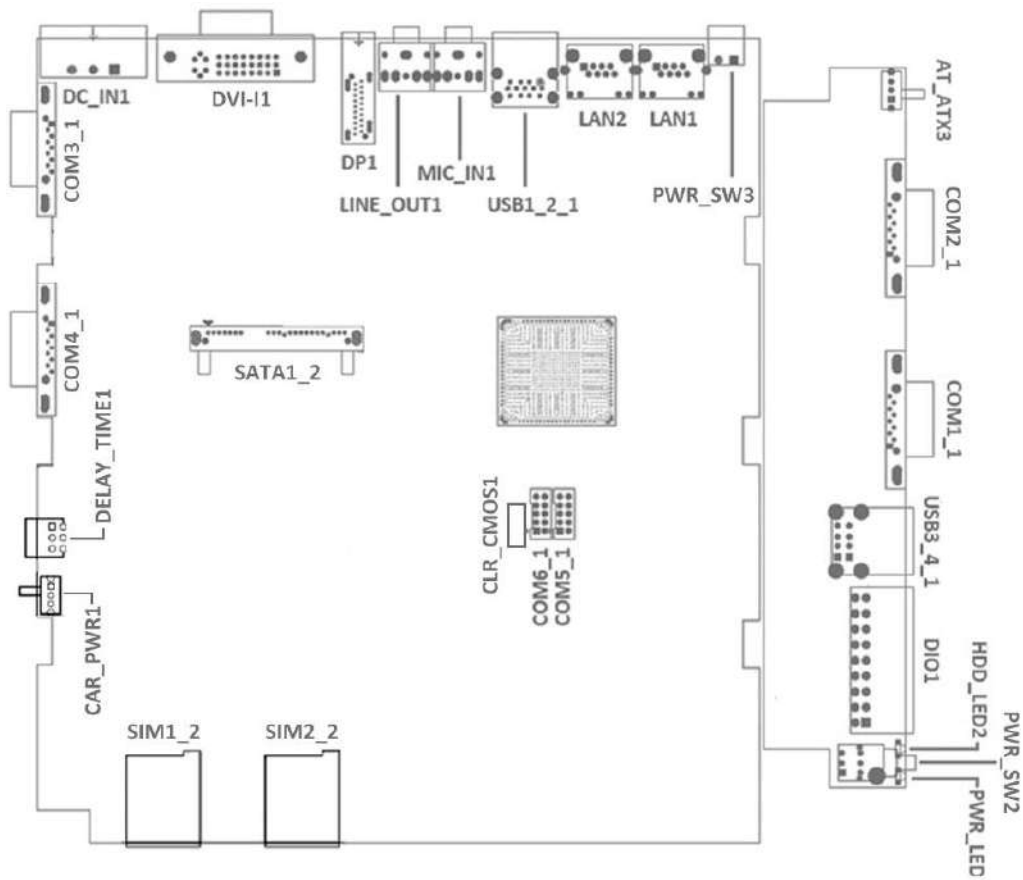


Chapter 2

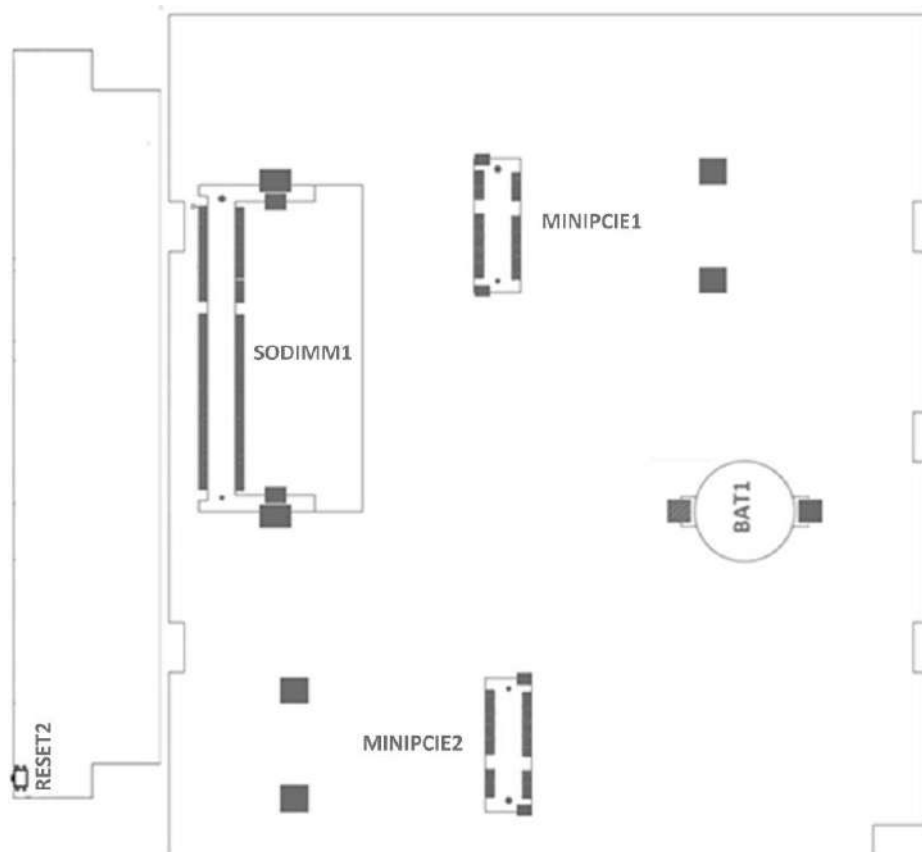
Switches and Connectors

2.1 Switch and Connector Locations

2.1.1 Top View



2.1.2 Bottom View



2.2 Connector / Switch Definition

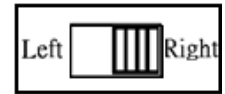
List of Connector / Switch

Connector Location	Definition
AT_ATX3	AT / ATX Power Mode Switch
CLR_CMOS1	Clear BIOS Switch
CAR_PWR1	PC / Car Mode Switch
DELAY_TIME2	Car mode PC turn off delay time
CFAST1_1	CFast Socket
PWR_SW2	Power Switch
RESET2	Reset Switch
USB1_2_1	USB 3.0 & USB 2.0 Port
USB3_4_1	USB 2.0 Port
SIM1_2, SIM2_2	SIM Card Socket
COM1_1, COM2_1, COM3_1, COM4_1	RS232 / RS422 / RS485 Connector
COM5_1, COM6_1	RS232 / RS422 / RS485 Connector
LAN1, LAN2	LAN Port
DC_IN1	3-pin DC 9~50V Power Input Connector
VGA1	VGA Connector
DP1	DisplayPort Connector
LINE_OUT1	Line-out Jack
MIC_IN1	Mic-in Jack
DIO1	8DI / 8DO Connector
PWR_SW3	Remote Power Switch
MINIPCI1	Mini PCI-Express / mSATA Socket
MINIPCI2	Mini PCI-Express Socket
SATA1_2	SATA with Power Connector
POWER1, POWER2	Power Connector
PWR_LED1	Power LED Status
HDD_LED1	HDD Access LED Status

2.3 Switches Definitions

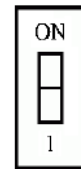
AT_ATX3: AT / ATX Power Mode Switch

Switch	Definition
1-2 (Left)	ATX Power Mode (Default)
2-3 (Right)	AT Power Mode



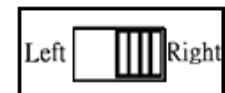
CLR_CMOS1: Clear BIOS Switch

Switch	Definition
Off	Normal Status (Default)
ON	Clear BIOS



CAR_PWR1: PC / Car Mode Switch

Switch	Definition
1-2 (Left)	PC Power Mode (Default)
2-3 (Right)	Power Ignition Mode



DELAY_TIME2: Power off delay time setup Switch

Switch 1 / 2 / 3	Definition
ON / ON / ON	3 sec. (Default Shutdown Timer by O.S)
ON / ON / OFF	1 min.
ON / OFF / ON	5 min.
ON / OFF / OFF	10 min.
OFF / ON / ON	30 min.
OFF / ON / OFF	1 hour
OFF / OFF / ON	2 hour



Step of Setting Power Ignition

Step 1:
To select power ignition by PC/CAR switch.

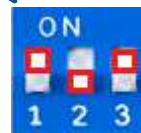
Step 2:
To configure the power off delay time, please check the Delay Time Setting Options in advance.

Step 3:
To connect the power and ignition power

Step 3

Switch 1 / 2 / 3	Power off delay time
ON / ON / ON	3 second
ON / ON / OFF	1 minute
ON / OFF / ON	5 minutes
ON / OFF / OFF	10 minutes
OFF / ON / ON	30 minutes
OFF / ON / OFF	1 hour
OFF / OFF / ON	2 hours

Step 1
Pin 1-2 (Right): PC Mode
Pin 2-3 (Left): Power Ignition Mode



Step 3
To connect the battery power and ignition signal



Example: Delay Time Setting for 5 minutes

1. If delay time set as "5 minutes"



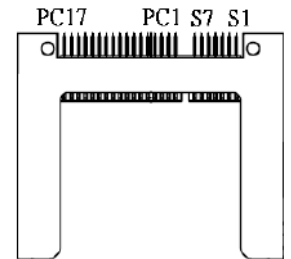
2. The system will shut down 5 minutes later after turning off the vehicle.



2.4 Connectors Definitions

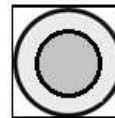
CFAST1_1: CFast Socket

Pin	Definition	Pin	Definition	Pin	Definition
S1	GND	PC1	NC	PC10	NC
S2	SATA_TXP1	PC2	GND	PC11	NC
S3	SATA_TXN1	PC3	NC	PC12	NC
S4	GND	PC4	NC	PC13	+3.3V
S5	SATA_RXN1	PC5	NC	PC14	+3.3V
S6	SATA_RXP1	PC6	NC	PC15	GND
S7	GND	PC7	GND	PC16	GND
		PC8	NC	PC17	NC
		PC9	NC		



PWR_SW2: Power Button

Pin	Definition	Pin	Definition
1	NC	4	GND
2	Power Button	5	NC
3	NC	6	GND



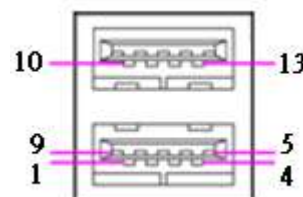
RESET2 : Reset Button

Pin	Definition
1	RESET
2	GND



USB1_2_1: USB3.0 & USB2.0 Connector, Type A

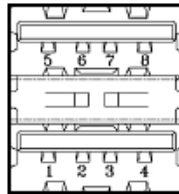
Pin	Definition	Pin	Definition
1	+5V	10	+5V
2	USB2_D0-	11	USB2_D1-
3	USB2_D0+	12	USB2_D1+
4	GND	13	GND
5	USB3_RX0-		
6	USB3_RX0+		
7	GND		
8	USB3_TX0-		
9	USB3_TX0+		



2.4 Connectors Definitions

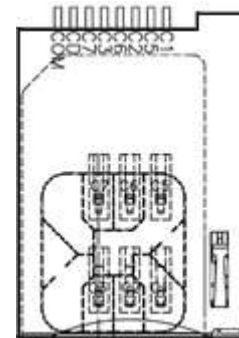
USB3_4_1: USB2.0 Connector, Type A

Pin	USB3_4_1 Definition
1	+5V
2	USB2_D2-
3	USB2_D2+
4	GND
5	+5V
6	USB2_D3-
7	USB2_D3+
8	GND



SIM1_2, SIM2_2 : SIM Card Socket

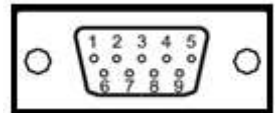
Pin	Definition	Pin	Definition
C1	UIM_PWR	C6	UIM_VPP
C2	UIM_RESET	C7	UIM_DATA
C3	UIM_CLK	CD	NC
C5	GND	COM	GND



COM1_1: RS232 / RS422 / RS485 Connector

Connector Type: 9-pin D-Sub

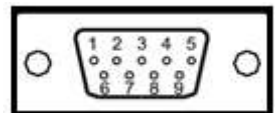
Pin	RS232 Definition	RS422 / 485 Full Duplex Definition	RS485 Half Duplex Definition
1	DCD1	TX1-	DATA1-
2	RXD1	TX1+	DATA1+
3	TXD1	RX1+	
4	DTR1	RX1-	
5	GND	GND	GND
6	DSR1		
7	RTS1		
8	CTS1		
9	RI1		



COM2_1: RS232 / RS422 / RS485 Connector

Connector Type: 9-pin D-Sub

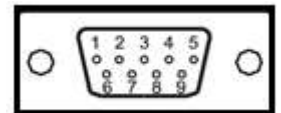
Pin	RS232 Definition	RS422 / 485 Full Duplex Definition	RS485 Half Duplex Definition
1	DCD2	TX2-	DATA2-
2	RXD2	TX2+	DATA2+
3	TXD2	RX2+	
4	DTR2	RX2-	
5	GND	GND	GND
6	DSR2		
7	RTS2		
8	CTS2		
9	RI2		



COM3_1 : RS232 / RS422 / RS485 Connector

Connector Type: 2X5 10-pin box header, 2.54mm pitch

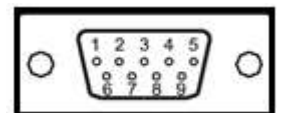
COM3_1			
Pin	RS232 Definition	RS422 / 485 Full Duplex Definition	RS485 Half Duplex Definition
1	DCD3	TX3-	DATA3-
2	RXD3	TX3+	DATA3+
3	TXD3	RX3+	
4	DTR3	RX3-	
5	GND	GND	GND
6	DSR3		
7	RTS3		
8	CTS3		
9	RI3		



COM4_1 : RS232 / RS422 / RS485 Connector

Connector Type: 2X5 10-pin box header, 2.54mm pitch

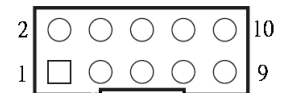
COM4_1			
Pin	RS232 Definition	RS422 / 485 Full Duplex Definition	RS485 Half Duplex Definition
1	DCD4	TX4-	DATA4-
2	RXD4	TX4+	DATA4+
3	TXD4	RX4+	
4	DTR4	RX4-	
5	GND	GND	GND
6	DSR4		
7	RTS4		
8	CTS4		
9	RI4		



COM5_1 : RS232 / RS422 / RS485 Connector

Connector Type: 2X5 10-pin box header, 2.54mm pitch

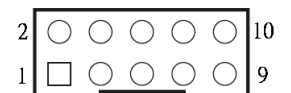
COM3_1			
Pin	RS232 Definition	RS422 / 485 Full Duplex Definition	RS485 Half Duplex Definition
1	DCD5	TX5-	DATA5-
2	RXD5	TX5+	DATA5+
3	TXD5	RX5+	
4	DTR5	RX5-	
5	GND	GND	GND
6	DSR5		
7	RTS5		
8	CTS5		
9	RI5		



COM6_1 : RS232 / RS422 / RS485 Connector

Connector Type: 2X5 10-pin box header, 2.54mm pitch

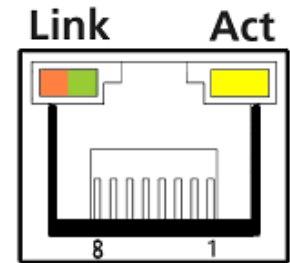
COM4_1			
Pin	RS232 Definition	RS422 / 485 Full Duplex Definition	RS485 Half Duplex Definition
1	DCD6	TX6-	DATA6-
2	RxD6	TX6+	DATA6+
3	TxD6	RX6+	
4	DTR6	RX6-	
5	GND	GND	GND
6	DSR6		
7	RTS6		
8	CTS6		
9	RI6		



LAN1, LAN2: RJ45 with LEDs Port

Connector Type: RJ45 Connector

Pin	Definition	Pin	Definition
1	LAN1_MDI0P	5	LAN1_MDI2N
2	LAN1_MDI0N	6	LAN1_MDI1N
3	LAN1_MDI1P	7	LAN1_MDI3P
4	LAN1_MDI2P	8	LAN1_MDI3N



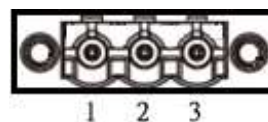
Pin	Definition	Pin	Definition
1	LAN2_MDI0P	5	LAN2_MDI2N
2	LAN2_MDI0N	6	LAN2_MDI1N
3	LAN2_MDI1P	7	LAN2_MDI3P
4	LAN2_MDI2P	8	LAN2_MDI3N

Link LED Status	Definition	Act LED Status	Definition
Steady Orange	1Gbps Network Link	Blinking Yellow	Data Activity
Steady Green	100Mbps Network Link	Off	No Activity
Off	10Mbps Network Link		

DC_IN1: DC Power Input Connector (+9~50V)

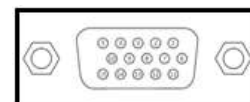
Connector Type: Terminal Block 1X3 3-pin, 5.0mm pitch

Pin	Definition
1	+9~50VIN
2	Power Ignition
3	GND



VGA1: VGA Connector

Pin	Definition	Pin	Definition
1	RED	9	+5V
2	GREEN	10	GND
3	BLUE	11	NC
4	NC	12	DDC_SDA
5	GND	13	HSYNC
6	RED_GND	14	VSYNC
7	GREEN_GND	15	DDC_SCL
8	BLUE_GND		



DP1: DisplayPort Connector

Pin	Definition	Pin	Definition
1	DP_LANE0_P	11	GND
2	GND	12	DP_LANE3_N
3	DP_LANE0_N	13	GND
4	DP_LANE1_P	14	GND
5	GND	15	DP_AUX_P
6	DP_LANE1_N	16	GND
7	DP_LANE2_P	17	DP_AUX_N
8	GND	18	DP_HPD
9	DP_LANE2_N	19	GND
10	DP_LANE3_P	20	DP_PWR



LINE_OUT1 : Line-out Jack (Green)

Connector Type: 5-pin Phone Jack

Pin	Definition
1	GND
2	OUT_R
3	NC
4	GND
5	OUT_L



MIC_IN1: Microphone Jack (Pink)

Connector Type: 5-pin Phone Jack

Pin	Definition
1	GND
2	MIC_R
3	NC
4	GND
5	MIC_L



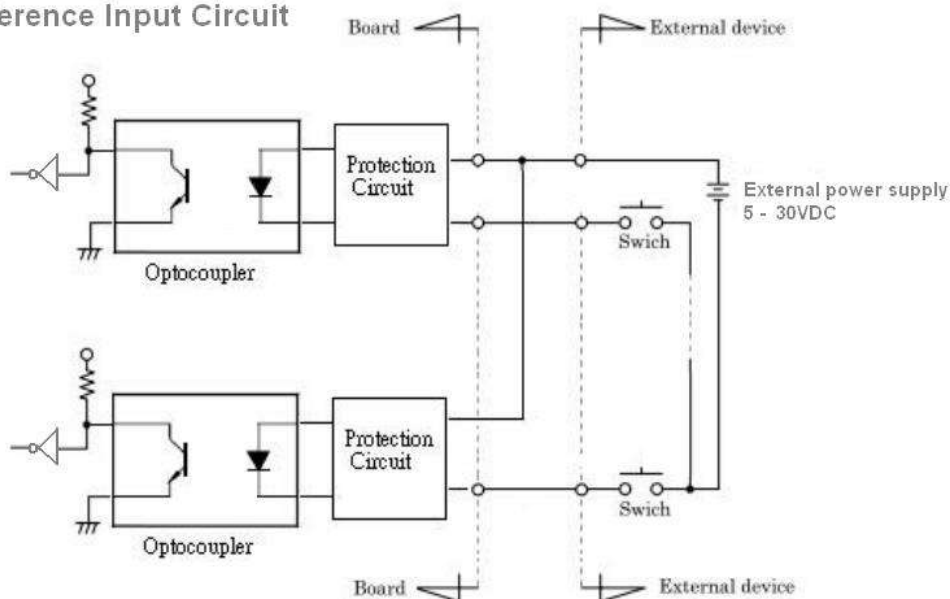
DIO1: Digital Input / Output Connector

Connector Type: Terminal Block 2X9 18-pin, 3.5mm pitch

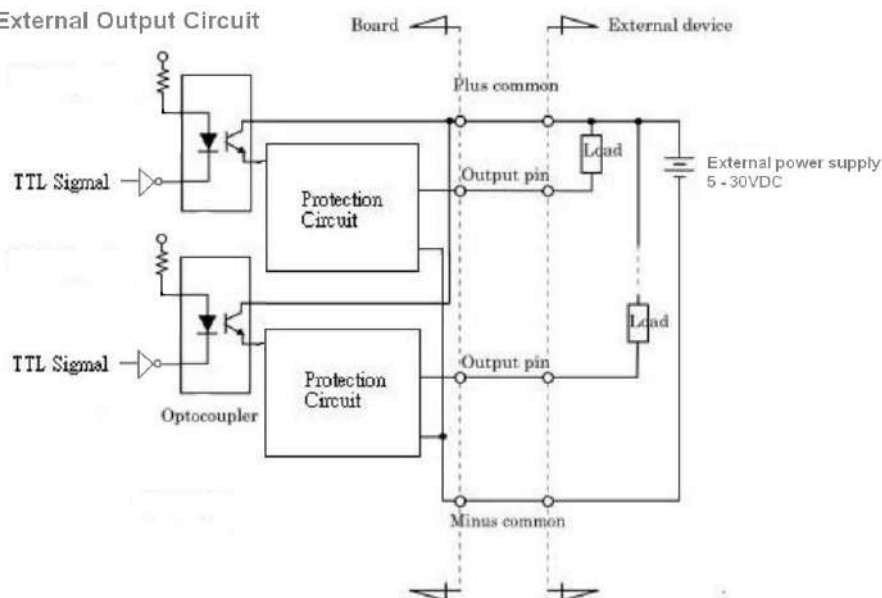
Pin	Definition	Pin	Definition
1	DI1	2	DO1
3	DI2	4	DO2
5	DI3	6	DO3
7	DI4	8	DO4
9	DI5	10	DO5
11	DI6	12	DO6
13	DI7	14	DO7
15	DI8	16	DO8
17	External DC INPUT	18	External GND

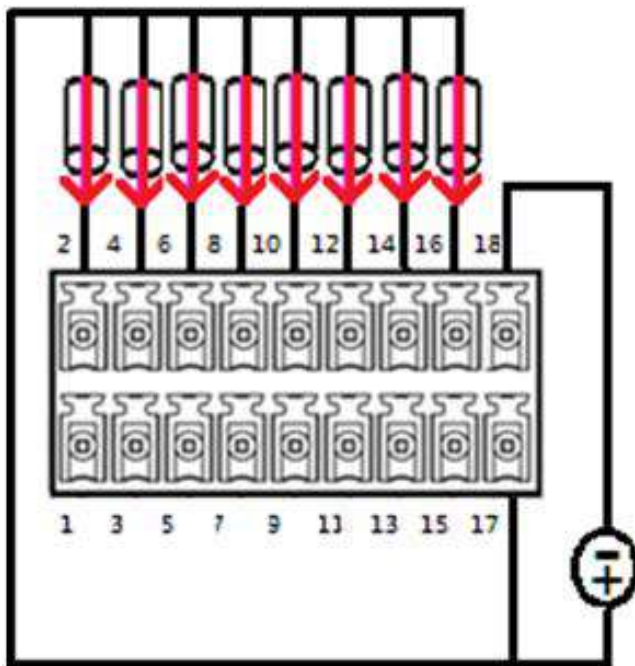
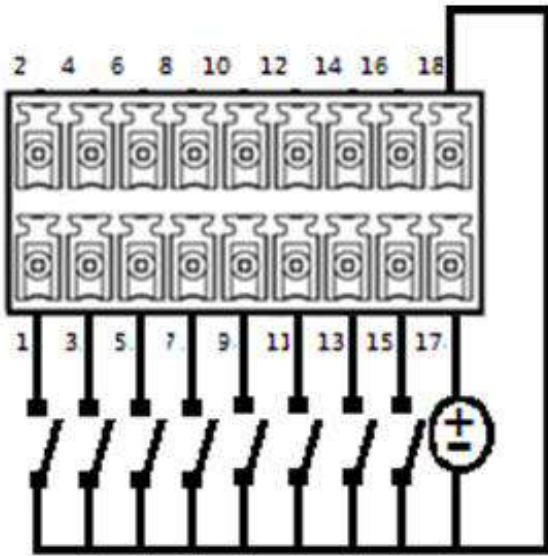


Reference Input Circuit



External Output Circuit





PWR_SW3 : Remote Power Switch

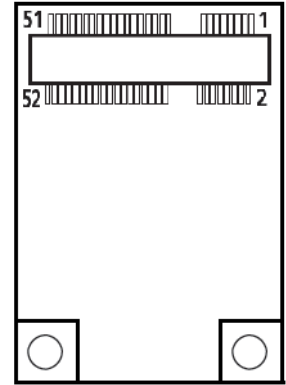
Connector Type: Terminal Block 1X2 2-pin, 3.5mm pitch

Pin	Definition
1	Power Button
2	GND

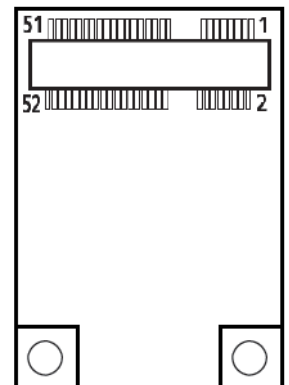


MINIPCIE1: Mini PCI-Express / mSATA Socket

Pin	Definition	Pin	Definition	Pin	Definition
1	WAKE#	19	NC	37	GND
2	+3.3V	20	+3.3V	38	USB_D4+
3	NC	21	GND	39	+3.3V
4	GND	22	PCIE_RST#	40	GND
5	NC	23	PCIE_RXN3 (SATA_RXN1)	41	+3.3V
6	+1.5V	24	+3.3V	42	NC
7	CLKREQ3#	25	PCIE_RXP3 (SATA_RXP1)	43	GND
8	USIM1_VCC	26	GND	44	NC
9	GND	27	GND	45	NC
10	USIM1_DATA	28	+1.5V	46	NC
11	PCIE_CLKN3	29	GND	47	NC
12	USIM1_CLK	30	SMB_CLK	48	+1.5V
13	PCIE_CLKP3	31	PCIE_TXN3 (SATA_TXN1)	49	NC
14	USIM1_RST	32	SMB_DATA	50	GND
15	GND	33	PCIE_TXP3 (SATA_TXP1)	51	NC
16	USIM1_VPP	34	GND	52	+3.3V
17	NC	35	GND		
18	GND	36	USB_D4-		

**MINIPCIE2: Mini PCI-Express**

Pin	Definition	Pin	Definition	Pin	Definition
1	WAKE#	19	NC	37	GND
2	+3.3V	20	+3.3V	38	USB_D6+
3	NC	21	GND	39	+3.3V
4	GND	22	MINIPCIE_RST#	40	GND
5	NC	23	PCIE_RXN4	41	+3.3V
6	+1.5V	24	+3.3V	42	NC
7	CLKREQ4#	25	PCIE_RXP4	43	GND
8	USIM2_VCC	26	GND	44	NC
9	GND	27	GND	45	NC
10	USIM2_DATA	28	+1.5V	46	NC
11	PCIE_CLKN4	29	GND	47	NC
12	USIM2_CLK	30	SMB_CLK	48	+1.5V
13	PCIE_CLKP4	31	PCIE_TXN4	49	NC
14	USIM2_RST	32	SMB_DATA	50	GND
15	GND	33	PCIE_TXP4	51	NC
16	USIM2_VPP	34	GND	52	+3.3V
17	NC	35	GND		
18	GND	36	USB_D6-		



SATA1_2: SATA with Power Connector

Pin	SATA1_1 Definition	Pin	SATA1_1 Definition	Pin	SATA2 Definition	Pin	SATA2 Definition
1	GND	12	GND	1	GND	12	GND
2	SATA_TXP0	13	GND	2	SATA_TXP1	13	GND
3	SATA_TXN0	14	+5V	3	SATA_TXN1	14	+5V
4	GND	15	+5V	4	GND	15	+5V
5	SATA_RXN0	16	+5V	5	SATA_RXN1	16	+5V
6	SATA_RXP0	17	GND	6	SATA_RXP1	17	GND
7	GND	18	GND	7	GND	18	GND
8	+3.3V	19	GND	8	+3.3V	19	GND
9	+3.3V	20	+12V	9	+3.3V	20	+12V
10	+3.3V	21	+12V	10	+3.3V	21	+12V
11	GND	22	+12V	11	GND	22	+12V



POWER1, POWER2: Power Connector

Connector Type: 1X4-pin Wafer, 2.0mm pitch

Pin	Definition
1	+5V
2	GND
3	GND
4	+12V



PWR_LED1: Power LED Status

Pin	Definition
1	POWER LED+
2	POWER LED-



HDD_LED1: HDD Access LED Status

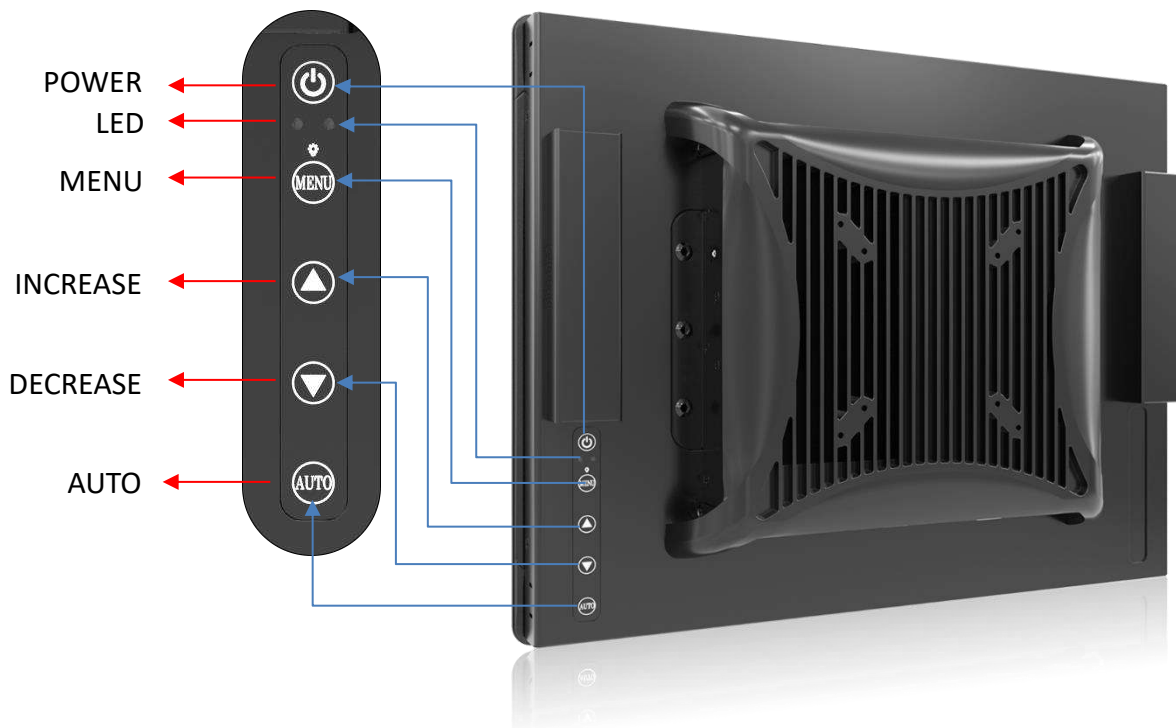
Pin	Definition
1	HDD LED+
2	HDD LED-




Chapter 3

Front Panel Controls


3.1 Users Controls




3.1.1  Power Button
Turns the monitor on or off.

3.1.2  LED
1. Blue indicates power on.
2. Yellow indicates HDD access status.

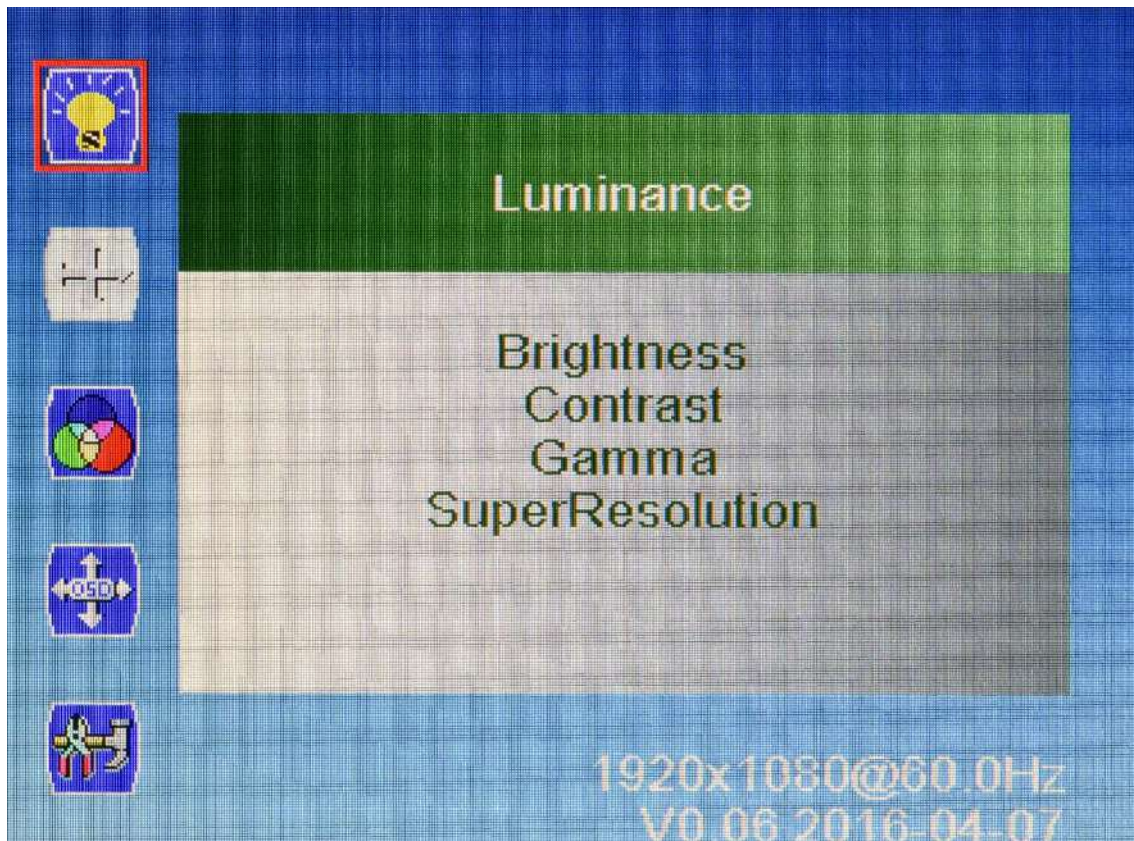
3.1.3 MENU / Enter Button
Press to view the OSD menu. Press it again to enter a selection in the OSD menu.

3.1.4  Increase Button
1. Activates the Volume control menu, and increases volume (with audio option).
2. Scrolls the OSD menu upward.
3. Increases the value of a selected function.

3.1.5  Decrease Button
1. Activates the Volume control menu, and decreases volume (with audio option).
2. Scrolls the OSD menu downward.
3. Decreases the value of a selected function.

3.1.6 AUTO / Exit Button
1. When the OSD menu is active, press this button to exit the OSD menu.
2. When the OSD menu is inactive, press this button for two seconds to activate the Auto Adjustment function and the monitor will automatically optimize the display position, focus, and clock of your display.

3.2 OSD Operation



3.2.1 Luminance



■ Brightness

Adjust the luminance level of the screen.

■ Contrast

Adjusts the contrast level of the screen.

■ Gamma

This item allows you to on or off the Gamma function.

■ SuperResolution

This setting allows you to select options for the SuperResolution. Select <Off> , <Weak>, <Median> or .

3.2.2 Picture



■ Phase

Adjust the monitor internal signal phase.

■ Clock

Adjust the monitor internal sampling clock rate.

■ H. Position

Adjusts the position of the screen image left and right.

■ V. Position

Adjusts the position of the screen image up and down.

3.2.3 Color



■ Color Temperature

6500K: Select the setting of screen color to be reddish white.

7500K: Select the setting of screen color to be bluish white.

9300K: Select the setting of screen color to be bluish white.

sRGB: Set the screen color to fit the sRGB standard color specification.

User Define: Individual adjustments for red (R), green (G), blue (B).

3.2.4 OSD Settings



■ Horizontal

Changes the viewing position of the OSD menu to the left or right area of the screen.

■ Vertical

Changes the viewing position of the OSD menu to the top or bottom area of the screen.

■ Transparency

Adjust to view the background information through the OSD.

■ OSD Time Out

Sets the time duration in seconds that the OSD is visible after the last button is pressed.

3.2.5 Setup



■ Language

Selects the language in which the OSD menu is displayed. The factory default is English.

■ Mute

Allows the user to turn the Mute On or Off.

■ Input

When press Input Select change Input signal to D-SUB, DVI or DP.

■ Reset

Reset monitor parameters back to factory preset values.

Chapter 4

System Setup

4.1 Set torque force to 3.5 kgf-cm to execute all the screwing and unscrewing

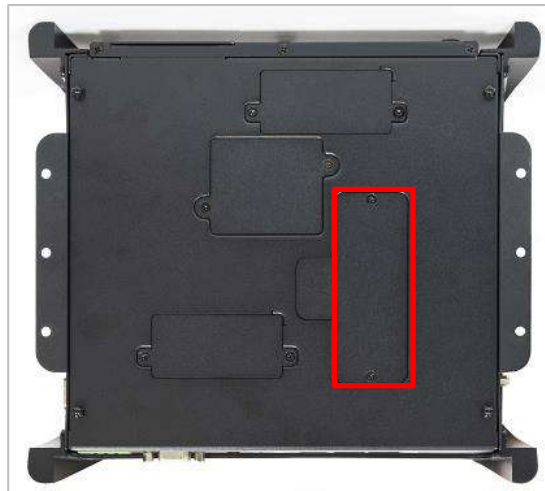


WARNING

In order to prevent electric shock or system damage, before removing the chassis cover, must turn off power and disconnect the unit from power source.

4.2 Installing SODIMM

1. Remove SODIMM cover in the below circled area for installing memory module.



2. Insert memory module from 45 degree direction.

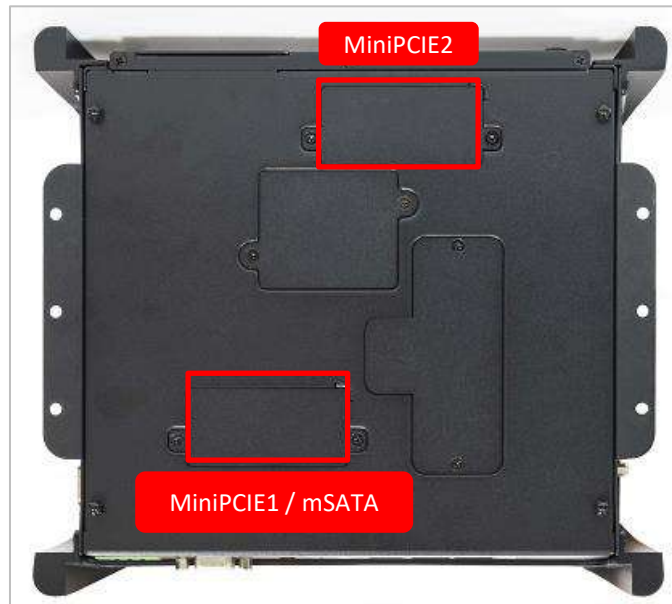


3. Press the memory module vertically downward until you hear the "click" sound. Make sure the memory module is firmly in place.



4.3 Installing mini PCIe card / mSATA

1. Two mini PCIe slots are available for PC100 series. MiniPCI E1 supports mSATA.



2. Insert mini PCIe card or mSATA module from 45 degree direction.



3. Press the mini PCIe card or mSATA module down and lock it with two screws (M2x3.7L).



4.4 Installing HDD on removable STAT HDD bay

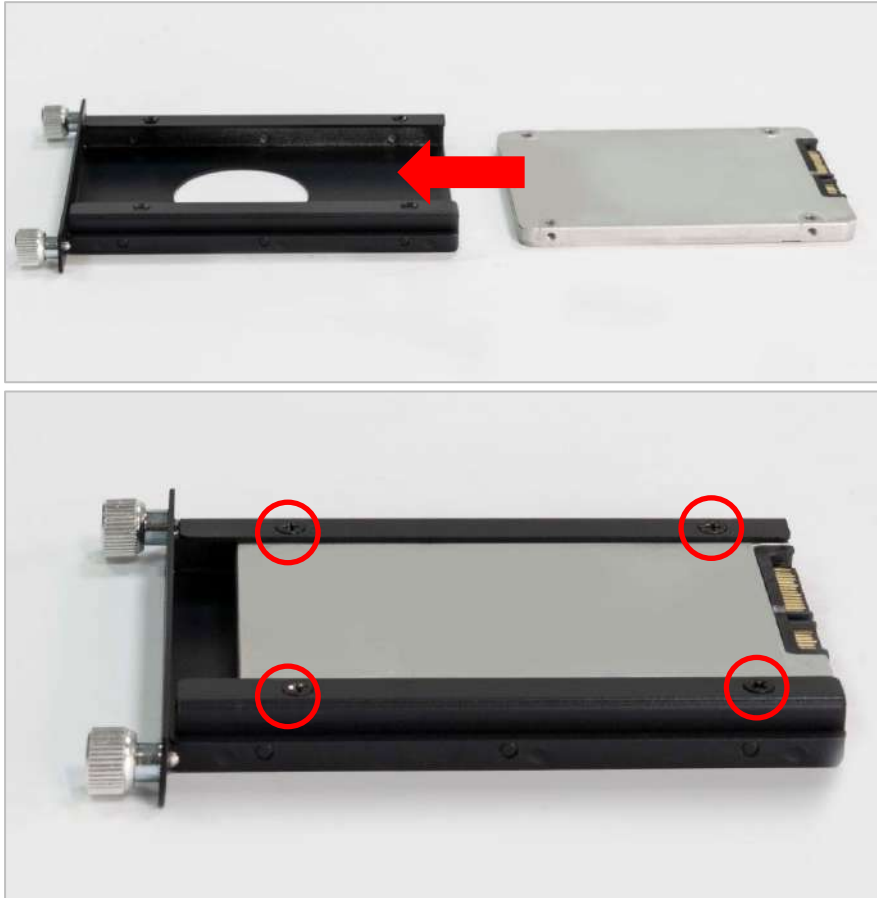
1. One removable SATA HDD bays is available for PC100 Series



2. Unscrew the two sun screws circled below to take out the removable SATA HDD bay.



3. Lock the 2.5" HDD with HDD bracket using four screws (M3x4L).



4. Slide the HDD bracket back and then fasten the sun screws.



4.5 Installing CFast card

1. One CFast socket is available for PC100 series. Unscrew two screws to remove the bracket.



2. Insert CFast card into the socket until you hear the “click” sound.



3. The socket is push-push type. Push the installed CFast card again to remove it.



4.6 Installing SIM card

1. For PC100 Series, two SIM card slots are available on system chassis between removable HDD bay and CFast slot.

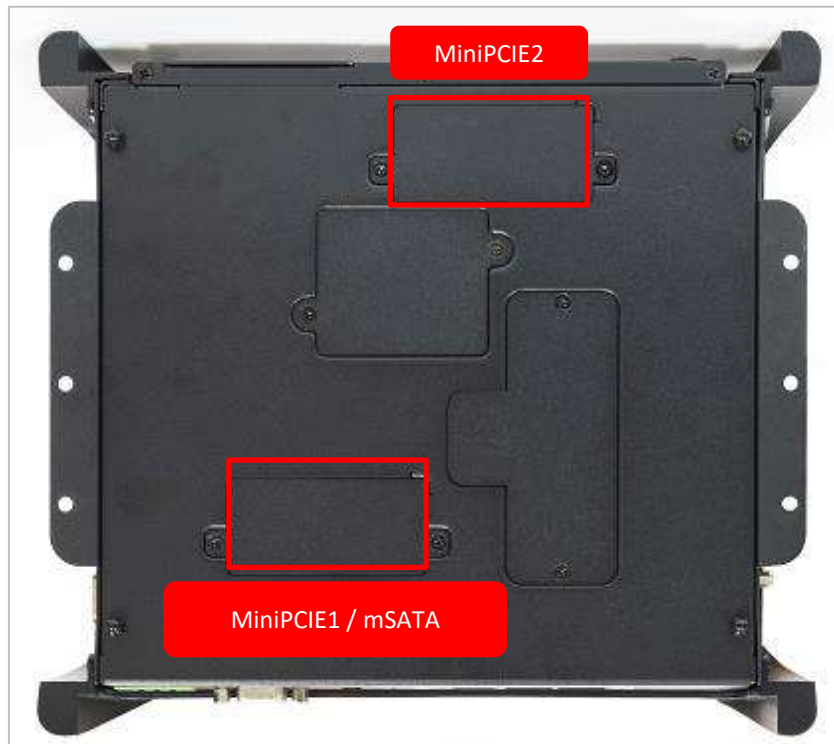


2. Press the SIM card in until you hear the “click” sound.



- Please note that the installation of SIM 1 and SIM 2 has to match the installation of mini PCIe slots.

SIM Card Socket Number	Matching Mini PCIe Slot
SIM 1	MiniPCIE1 / mSATA
SIM 2	MiniPCIE2



- To uninstall SIM card, simply press the installed SIM card and then the card will be pushed out

4.7 Removing chassis bottom cover

1. Unscrew the 6 screws (M3x5L) below.



2. Remove the top cover of PC module.



4.8 Installing antenna

1. Three antenna holes are available for PC100 series.



2. Remove antenna hole cover on the system panel.



3. Have antenna jack penetrate through the hole.



- Put on washer and fasten the nut with antenna jack.



- Attach the RF connector at the cable-end onto the communication module.



6. Assemble the antenna and antenna jack together.



4.9 Assemble chassis top cover

1. Ensure thermal pad is in place on the CPU thermal block.



2. Close the chassis top cover following the below direction and make sure the aluminum part on the top cover is touching the thermal pad on CPU thermal block.



3. Fasten the six screws (M3X5L) to lock the system body with top cover.



4.10 Connecting PC module with VIO display module

1. Hold the PC module with its connector facing towards the connector on the back of VIO display module.



2. Press the PC module downward to ensure two modules are firmly connected.



3. Lock the below 6 screws (M4X5L) to finish assembly.



Chapter 5

BIOS Setup

5.1 BIOS Introduction

The system BIOS software is stored on EEPROM. The BIOS provides an interface to modify the configuration. When the battery is removed, all the parameters will be reset.

BIOS Setup

Power on the embedded system and by pressing or <F2> immediately allows you to enter the setup screens. If the message disappears before you respond and you still wish to enter the Setup, restart the system by turning it OFF and ON or pressing the RESET button.

You may also restart the system by simultaneously pressing <Ctrl>, <Alt>, and <Delete> keys.

Control Keys	
<←> <→>	Select Screen
<↑> <↓>	Select Item
<Enter>	Select
<Page Up/+>	Increases the numeric value or makes changes
<Page Down/->	Decreases the numeric value or makes changes
<F1>	General Help
<F2>	Previous Value
<F3>	Load Optimized Defaults
<F4>	Save Configuration and Exit
<Tab>	Select Setup Fields
<Esc>	Exit BIOS Setup

Main Setup

The main menu lists the setup functions you can make changes to. You can use the arrow keys (↑ ↓) to select the item. The on-line description of the highlighted setup function is displayed at the bottom of the screen.

General Help <F1>

The BIOS setup program provides a General Help screen. You can call up this screen from any menu by simply pressing <F1>. The Help screen lists the appropriate keys to use and the possible selections for the highlighted item. Press <Esc> to exit the Help screen.

5.2 Main Setup

Press to enter BIOS CMOS Setup Utility. The Main setup screen is showed as following when the setup utility is entered. System Date/Time is set up in the Main Menu.



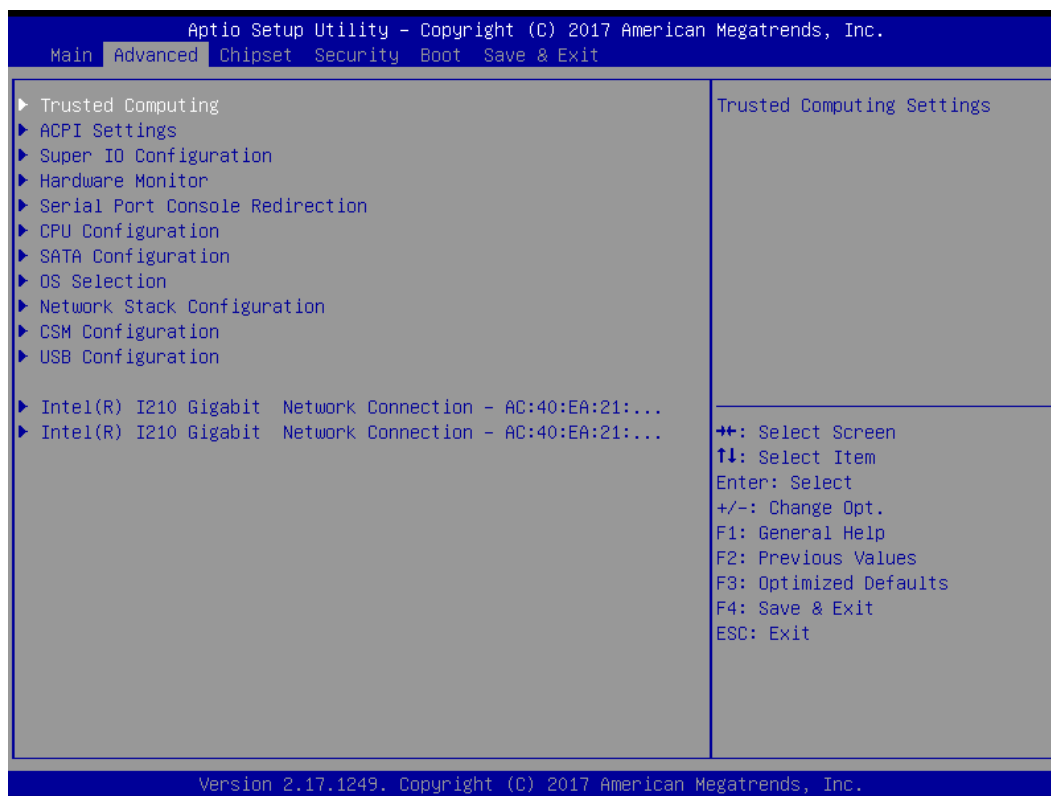
5.2.1 System Date

Set the system date. Please use <Tab> to switch between data elements.

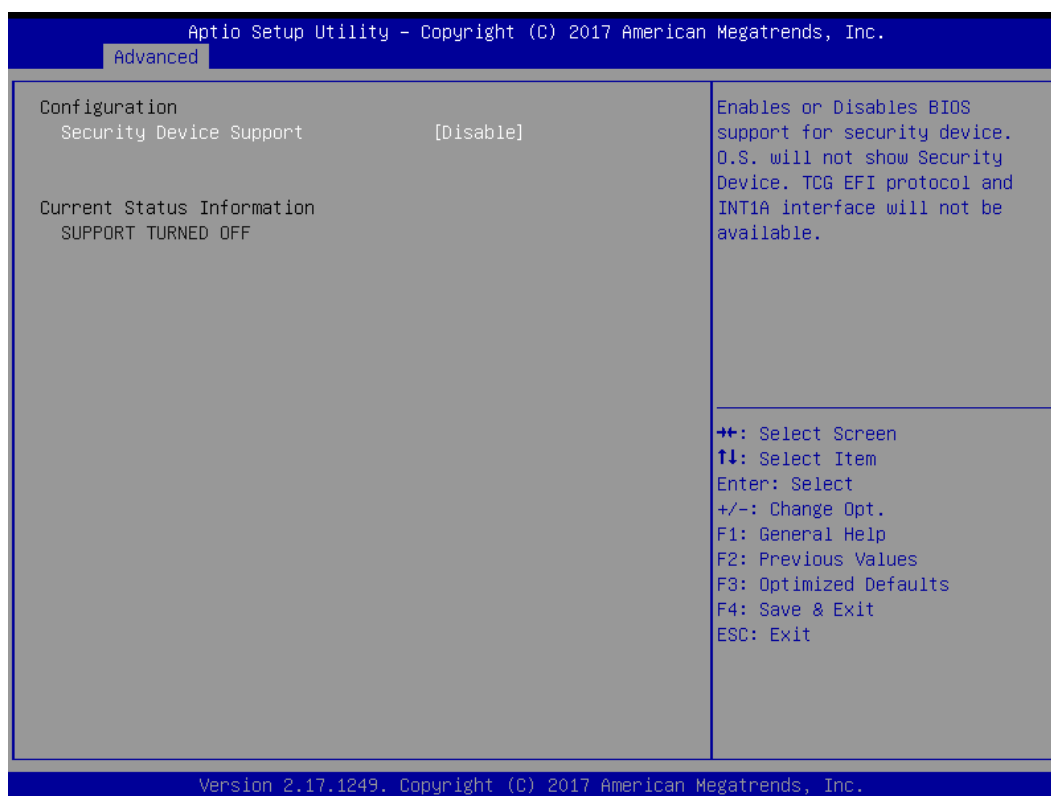
5.2.2 System Time

Set the system time. Please use <Tab> to switch between time elements.

5.3 Advanced Setup

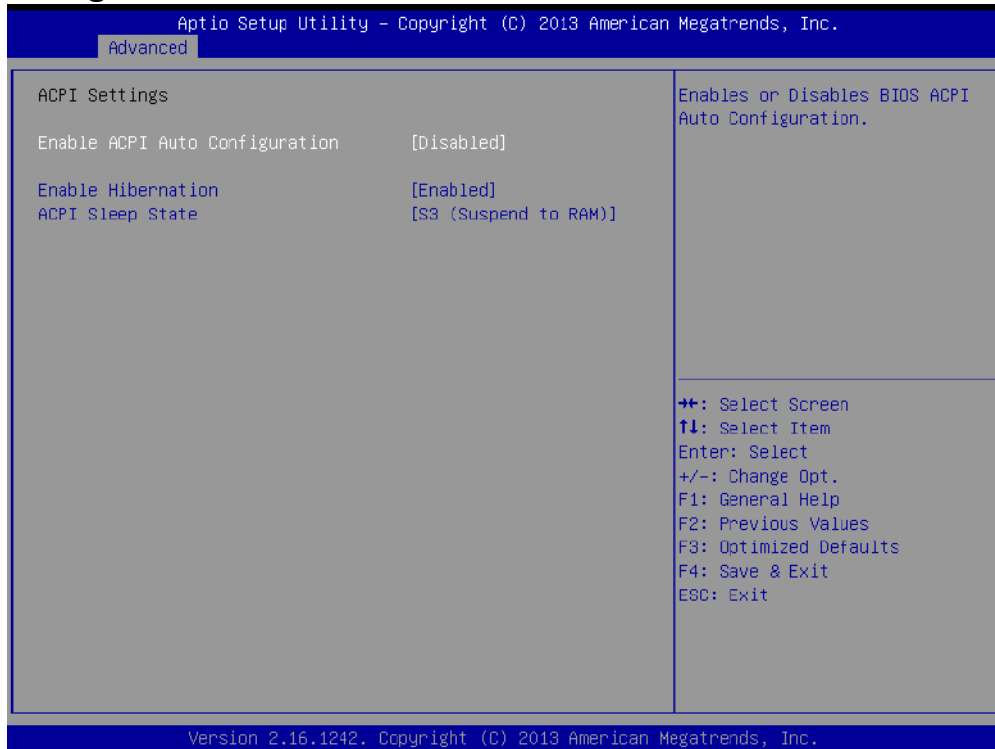


5.3.1 Trusted Computing (Optional)



- **Security Device Support**
Enable or disable TPM function

5.3.2 ACPI Settings



■ Enable ACPI Auto Configuration

This item allows you to enable or disable BIOS ACPI Auto Configuration.

■ Enable Hibernation

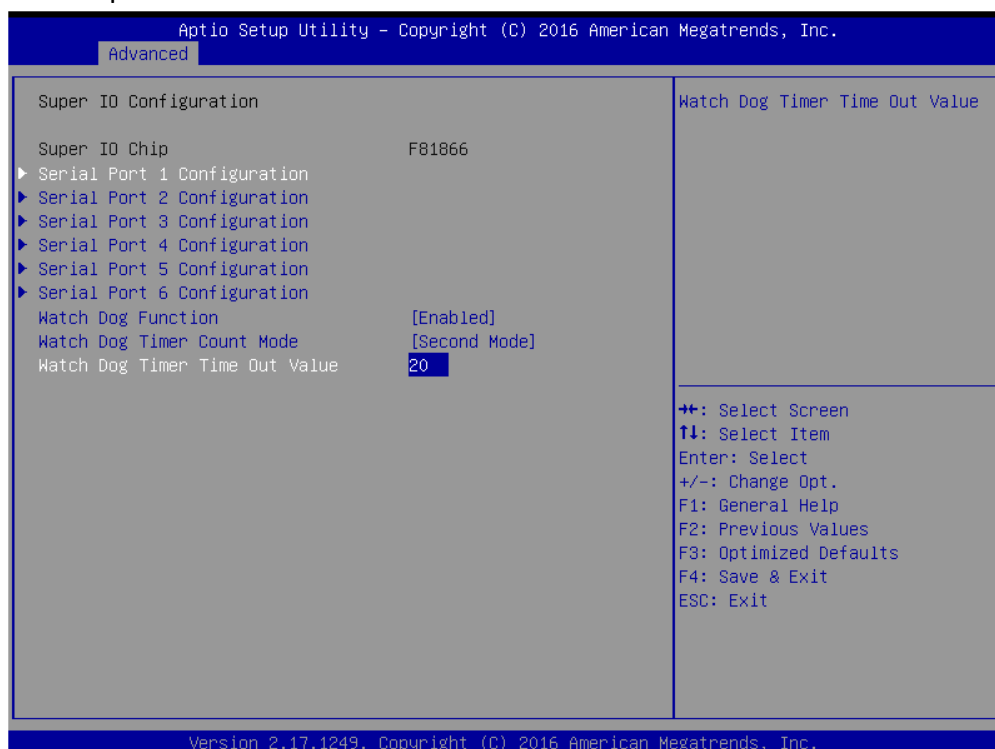
This item allows you to enable or disable system ability to hibernate.

■ ACPI Sleep State

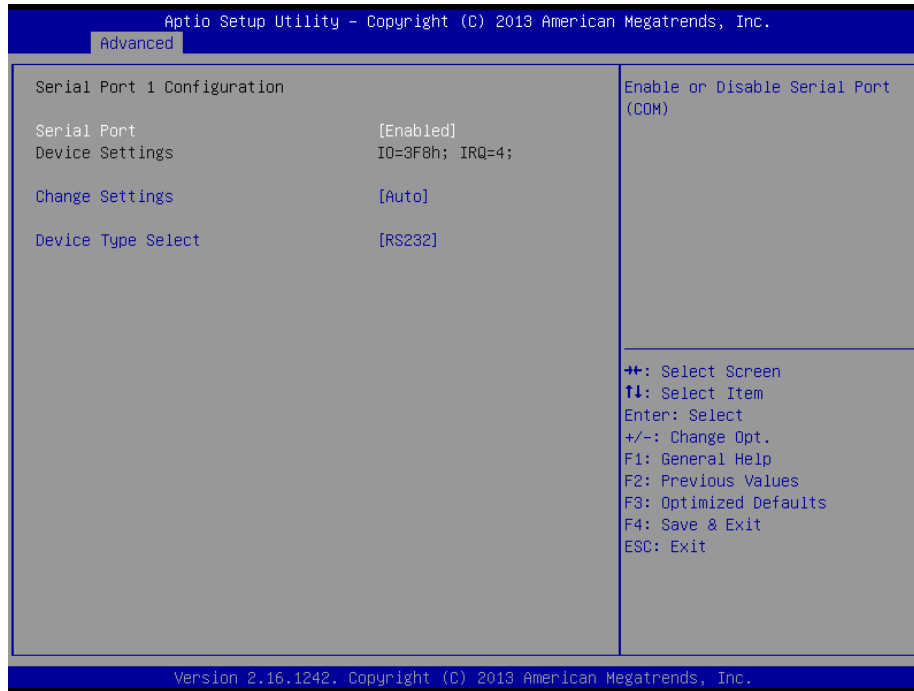
This item selects the highest ACPI sleep state the system will enter when the suspend button is pressed. Select <Suspend Disabled> or <S3 (Suspend to RAM)>.

5.3.3 Super IO Configuration

This setting allows you to select options for the Super IO Configuration, and change the value of the selected option.

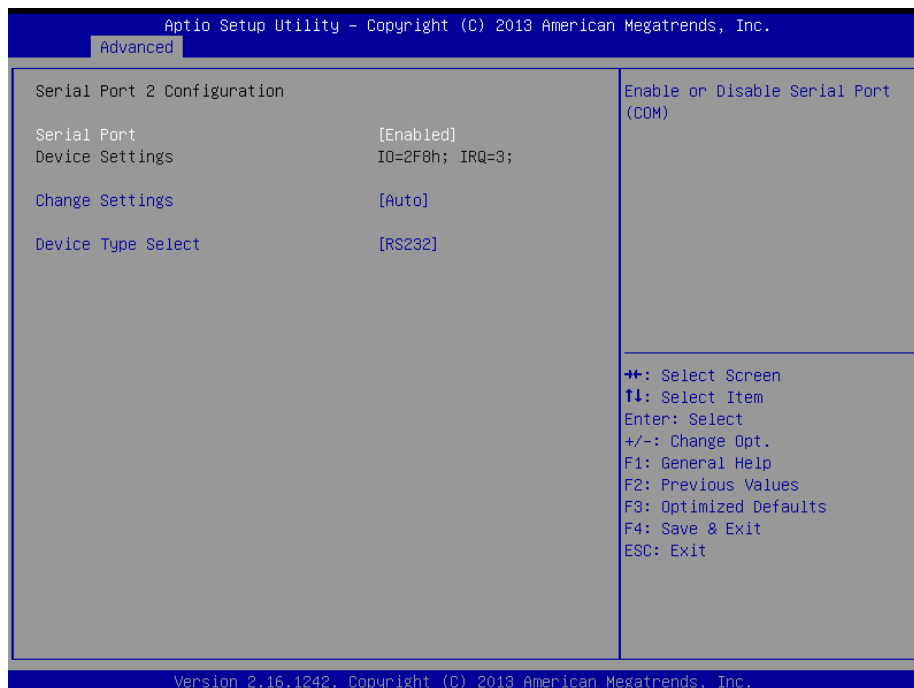


Serial Port 1 Configuration



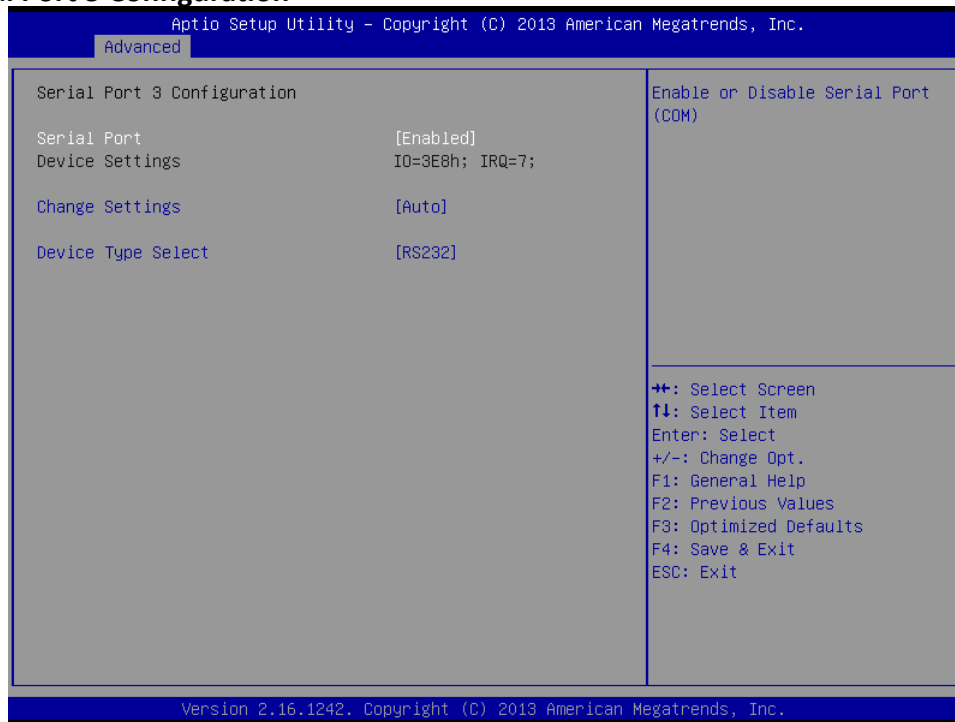
- **Serial Port**
This item allows you to enable or disable serial port.
- **Change Settings**
This item allows you to change the address & IRQ settings of the specified serial port.
- **Device Type Select**
Change the Serial interface. Select <RS232> ,<RS422 Full Duplex> or <RS485 Half Duplex> interface.

Serial Port 2 Configuration



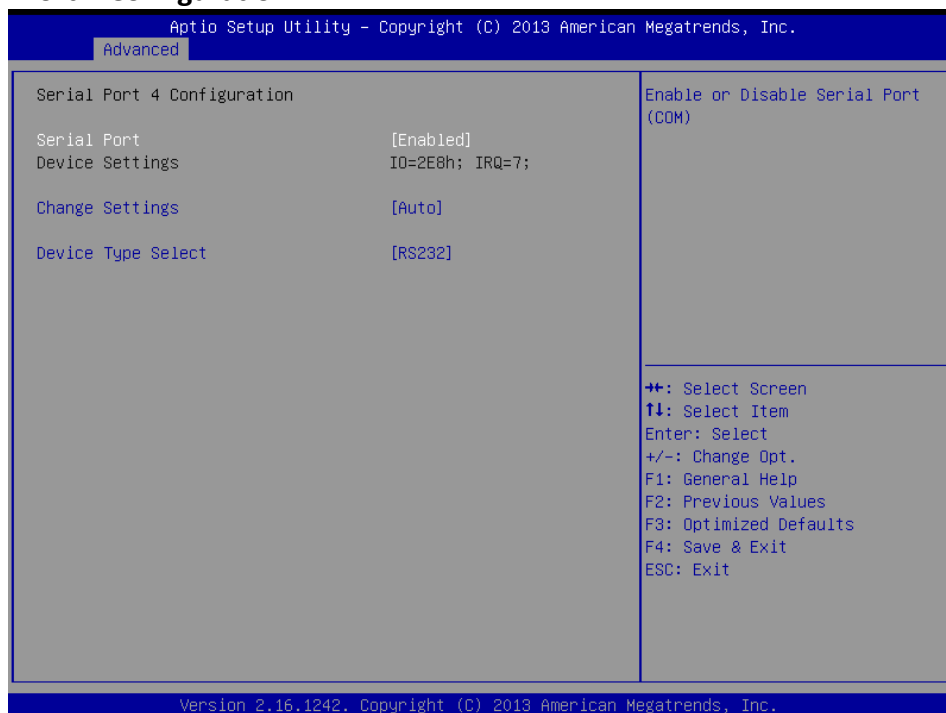
- **Serial Port**
This item allows you to enable or disable serial port.
- **Change Settings**
This item allows you to change the address & IRQ settings of the specified serial port.
- **Device Type Select**
Change the Serial interface. Select <RS232> ,<RS422 Full Duplex> or <RS485 Half Duplex> interface.

Serial Port 3 Configuration



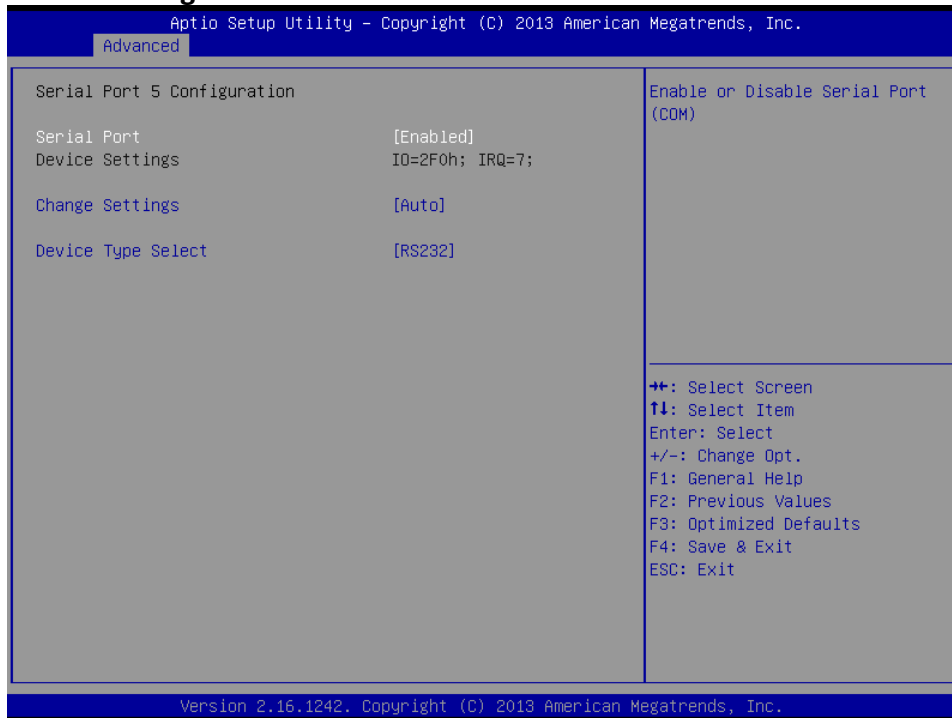
- **Serial Port**
This item allows you to enable or disable serial port.
- **Change Settings**
This item allows you to change the address & IRQ settings of the specified serial port.
- **Device Type Select**
Change the Serial interface. Select <RS232> ,<RS422 Full Duplex> or <RS485 Half Duplex> interface.

Serial Port 4 Configuration



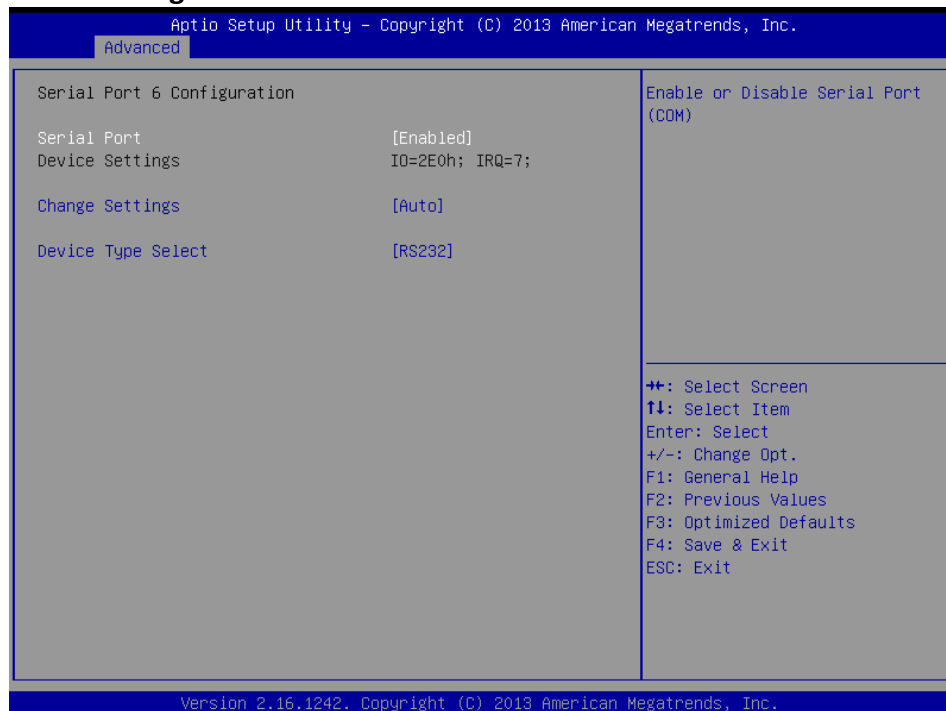
- **Serial Port**
This item allows you to enable or disable serial port.
- **Change Settings**
This item allows you to change the address & IRQ settings of the specified serial port.
- **Device Type Select**
Change the Serial interface. Select <RS232> ,<RS422 Full Duplex> or <RS485 Half Duplex> interface.

Serial Port 5 Configuration



- **Serial Port**
This item allows you to enable or disable serial port.
- **Change Settings**
This item allows you to change the address & IRQ settings of the specified serial port.
- **Device Type Select**
Change the Serial interface. Select <RS232> ,<RS422 Full Duplex> or <RS485 Half Duplex> interface.

Serial Port 6 Configuration



- **Serial Port**
This item allows you to enable or disable serial port.
- **Change Settings**
This item allows you to change the address & IRQ settings of the specified serial port.
- **Device Type Select**
Change the Serial interface. Select <RS232> ,<RS422 Full Duplex> or <RS485 Half Duplex> interface.

■ Watch Dog Function

This setting allows you to setup the system watch-dog timer, a hardware timer that generates a reset when the software that it monitors does not respond as expected each time the watch dog polls it.

- **Watch Dog Timer Count Mode**

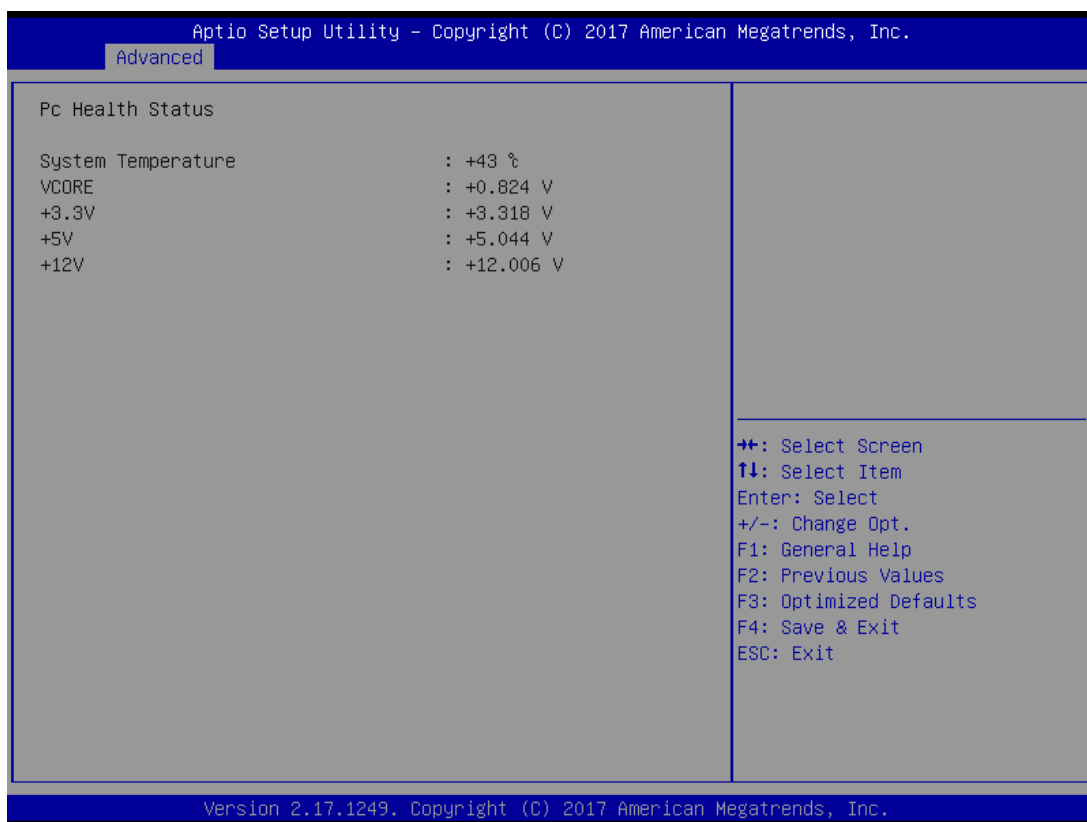
Change the Watch dog mode. Select <Second Mode> or <Minute Mode> mode.

- **Watch Dog Timer Time Out Value**

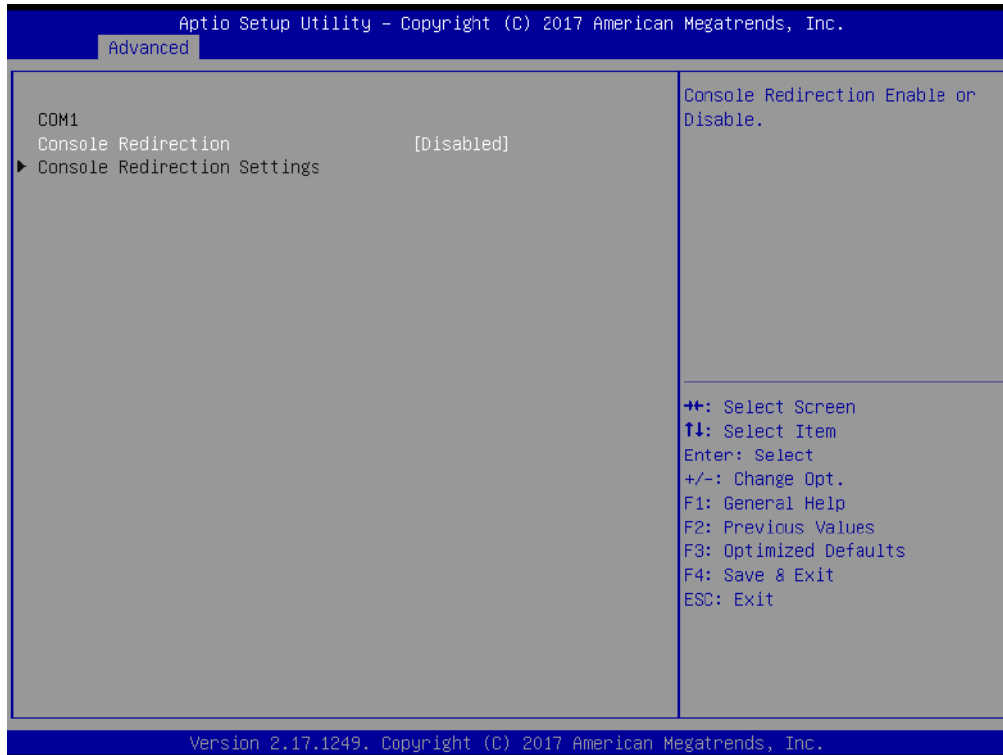
User can set a value in the range of 20 to 255.

5.3.4 Hardware Monitor

These items display the current status of all monitored hardware devices/ components such as voltages and temperatures.



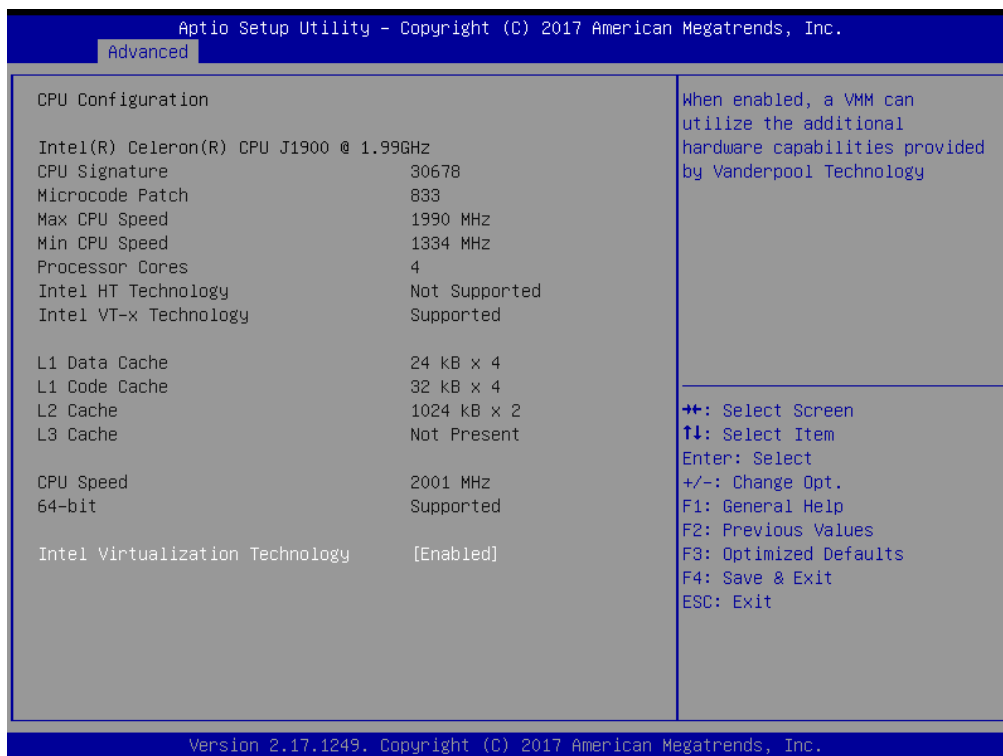
5.3.5 Serial Port Console Redirection



■ Console Redirection

These items allow you to enable or disable COM1 console redirection.

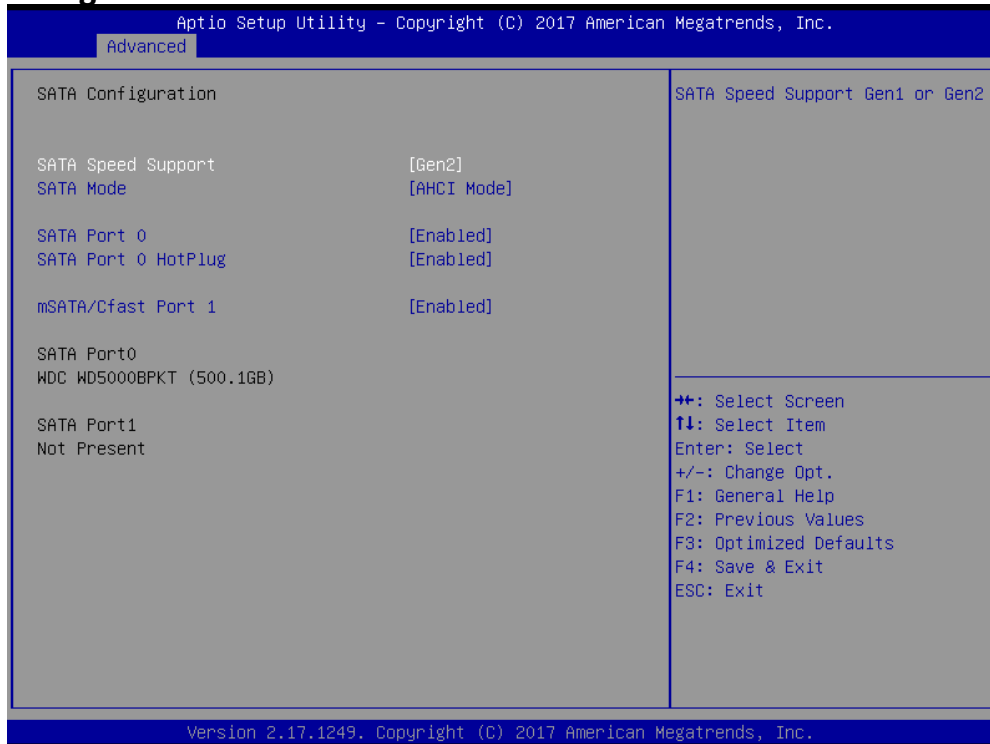
5.3.6 CPU Configuration



■ Intel Virtualization Technology

Virtualization enhanced by Intel Virtualization Technology will allow a platform to run multiple operating systems and applications in independent partitions. With virtualization, one computer system can function as multiple Virtual systems.

5.3.7 SATA Configuration



■ SATA Speed Support

Change the SATA Speed. Select <Gen1> or <Gen2> speed.

■ SATA Mode

This item allows you to select IDE or AHCI Mode.

■ SATA Port 0

This item allows you to enable or disable SATA Port 0.

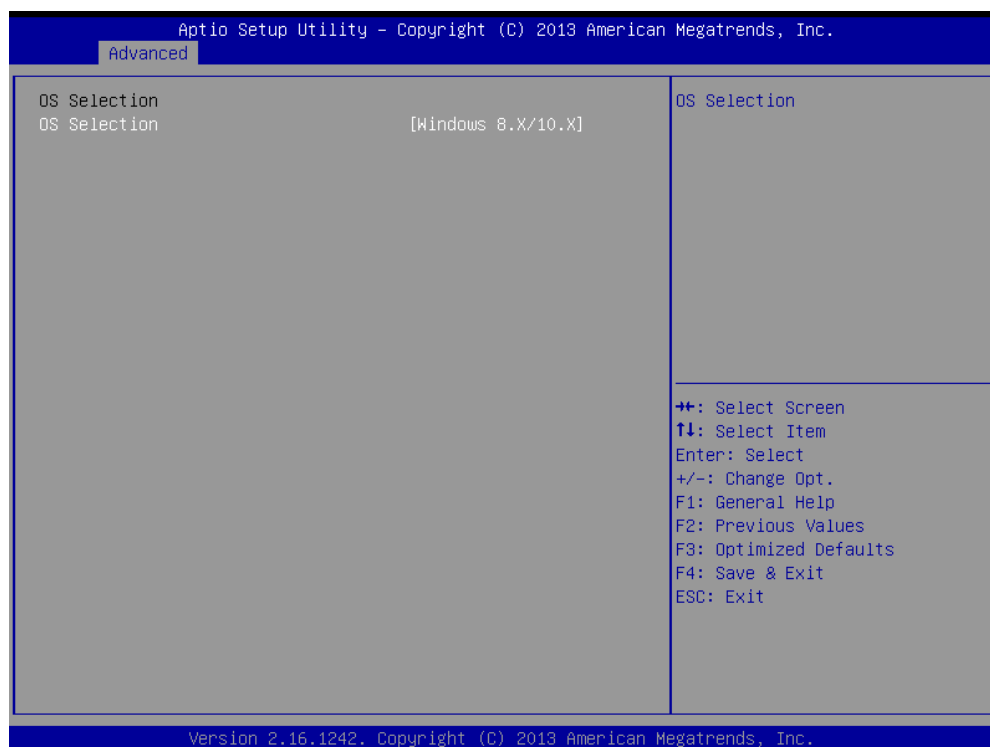
■ SATA Port 0 HotPlug

This item allows you to enable or disable SATA Port 0 hot plug function.

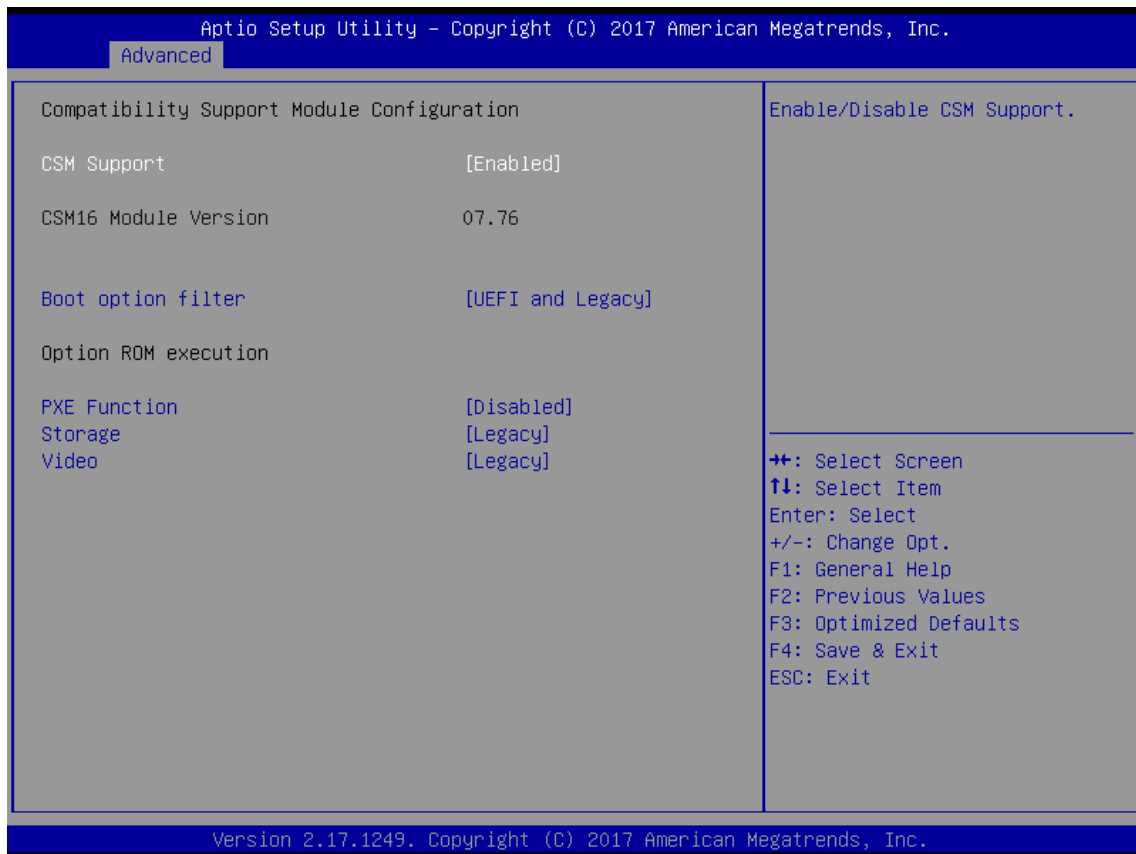
■ SATA Port 1/mSATA/Cfast

This item allows you to enable or disable SATA Port 1/mSATA/Cfast.

5.3.8 OS Selection



5.3.9 CSM Configuration



■ CSM Support

Enables or disables UEFI CSM (Compatibility Support Module) to support a legacy PC boot process.

■ Boot option filter

This item allows you to select which type of operating system to boot.

UEFI and Legacy: Allows booting from operating systems that support legacy option ROM or UEFI option ROM.

Legacy only: Allows booting from operating systems that only support legacy option ROM.

UEFI only: Allows booting from operating systems that only support UEFI option ROM.

This item is configurable only when CSM Support is set to Enabled.

■ PXE Function

This item allows you to enable or disable PXE function.

■ Storage

This setting allows you to select whether to enable the UEFI or legacy option ROM for the storage device controller.

Do not launch: Disables option ROM.

UEFI only: Enables UEFI option ROM only.

Legacy only: Enables legacy option ROM only.

■ Video

This item allows you to select whether to enable the UEFI or legacy option ROM for the storage device controller.

Do not launch: Disables option ROM.

UEFI only: Enables UEFI option ROM only.

Legacy only: Enables legacy option ROM only.

5.3.10 USB Configuration



■ Legacy USB Support

Allows USB keyboard/ mouse to be used in MS-DOS.

■ XHCI Hand-off

Determines whether to enable XHCI (USB3.0) Hand-off feature for an operating system without XHCI (USB3.0) Hand-off support.

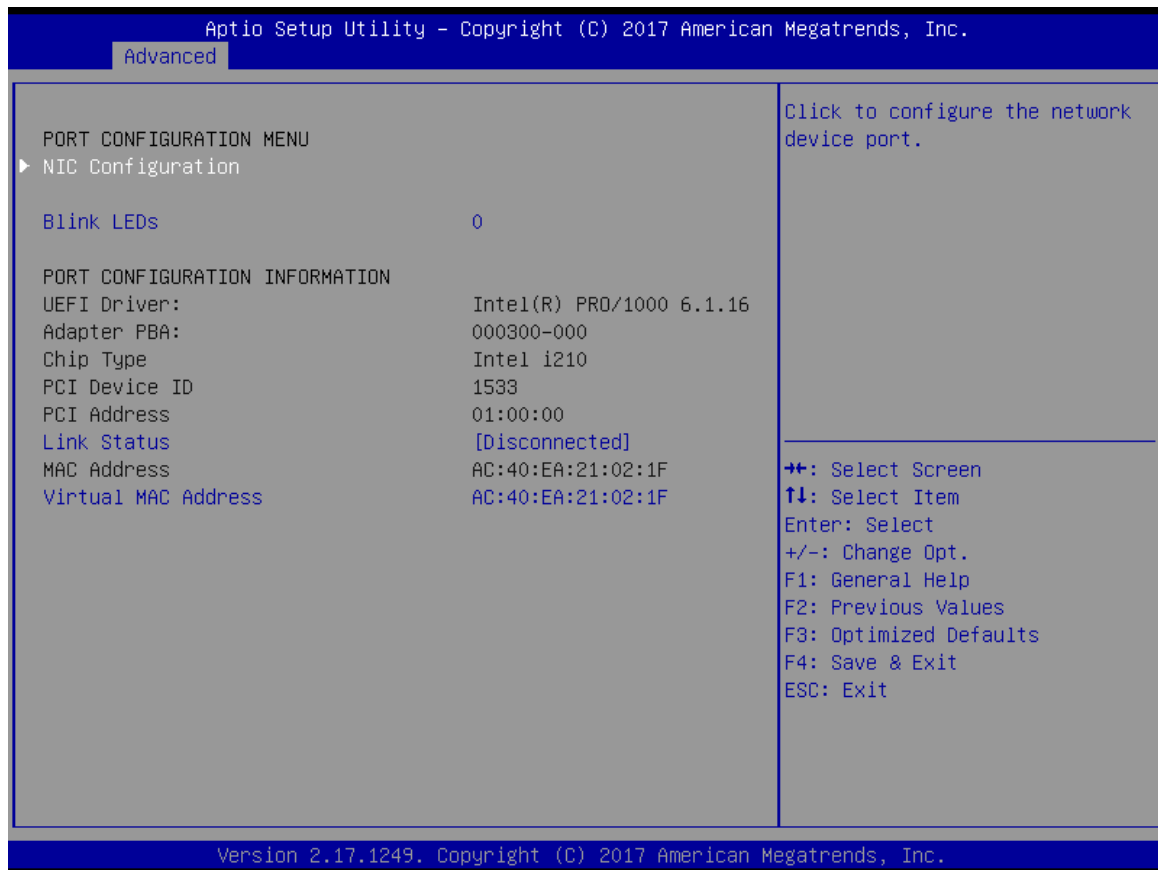
■ EHCI Hand-off

Determines whether to enable EHCI Hand-off feature for an operating system without EHCI Hand-off support.

■ USB Mass Storage Driver Support

Enables or disables support for USB storage devices.

5.3.11 Intel® I210 Gigabit Network Connection- XX:XX:XX:XX:XX:XX



■ NIC Configuration

Press enter to configure the network device port.

● Link Speed

Use this item to specify the port speed used for the selected boot protocol. Select <Auto Negotiated>, <10 Mbps Half>, <10 Mbps Full>, <100Mbps Half> or <100 Mbps Full>.

● Wake On LAN

Enables the server to be powered on using an in-band magic packet.

■ Blink LEDs

Use this item to identify the physical network port by blinking the associated LED.

■ Link Status

Use this item to specify the port speed used for the selected boot protocol. Select <Auto Negotiated>, <10 Mbps Half>, <10 Mbps Full>, <100 Mbps Half> or <100 Mbps Full>.

■ Virtual MAC Address

Displays the programmatically assignable MAC Address.

5.4 Chipset



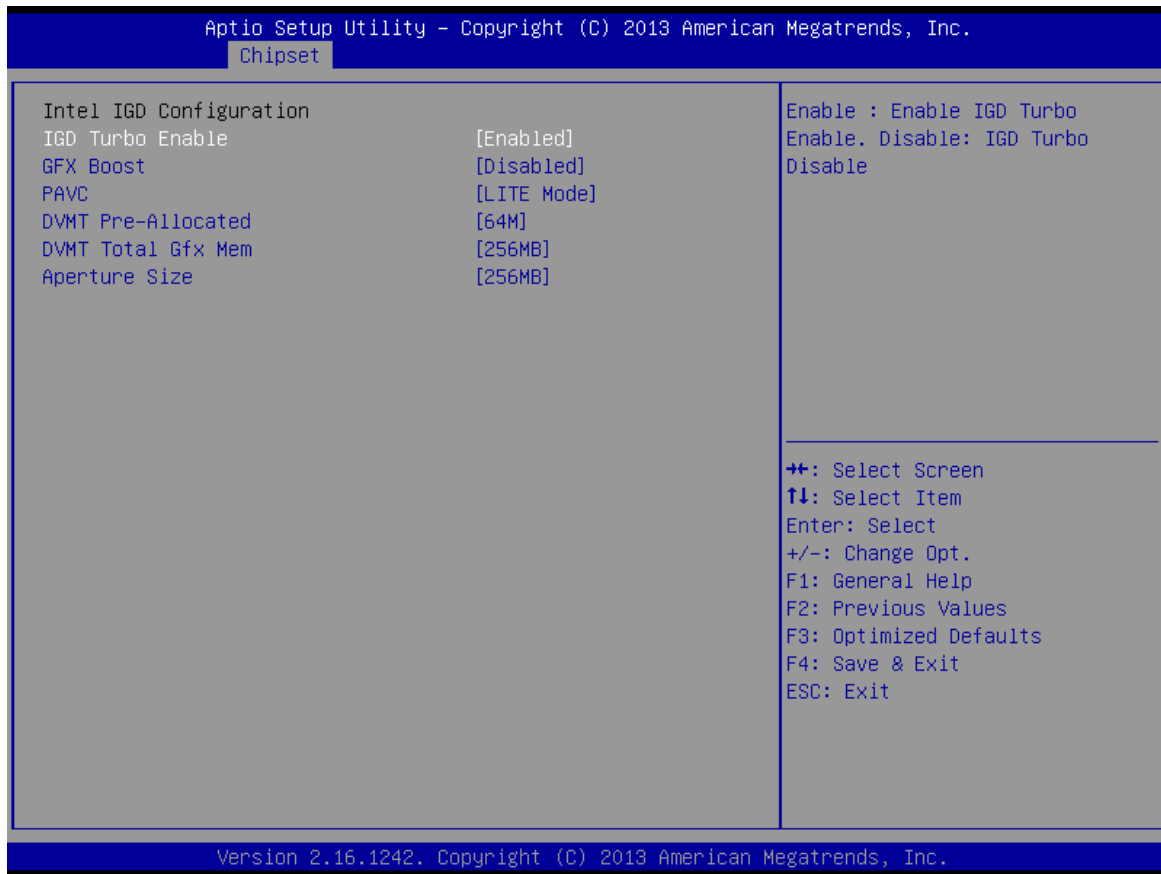
5.4.1 North Bridge

This section provides information on the installed memory size and memory/onboard graphics-related configuration options.



Intel IGD Configuration

This section provides onboard graphics-related configuration options.



- **IGD Turbo Enable**

This item allows you to enable or disable IGD Turbo.

- **GFX Boost**

This item allows you to enable or disable GFX Boost.

- **PAVC**

This item enables/disables Protected Audio Video Control. Select <Disabled>, <LITE Mode> or <SERPENT Mode>.

- **DVMT Pre-Allocated**

This item selects DVMT 5.0 Pre-Allocated (Fixed) Graphics Memory size used by the Internal Graphics Device. . Select <64M>, <96M>, <128M>, <160M>, <192M>, <224M>, <256M>, <288M>, <320M>, <352M>, <384M>, <416M>, <448M>, <480M> or <512M>.

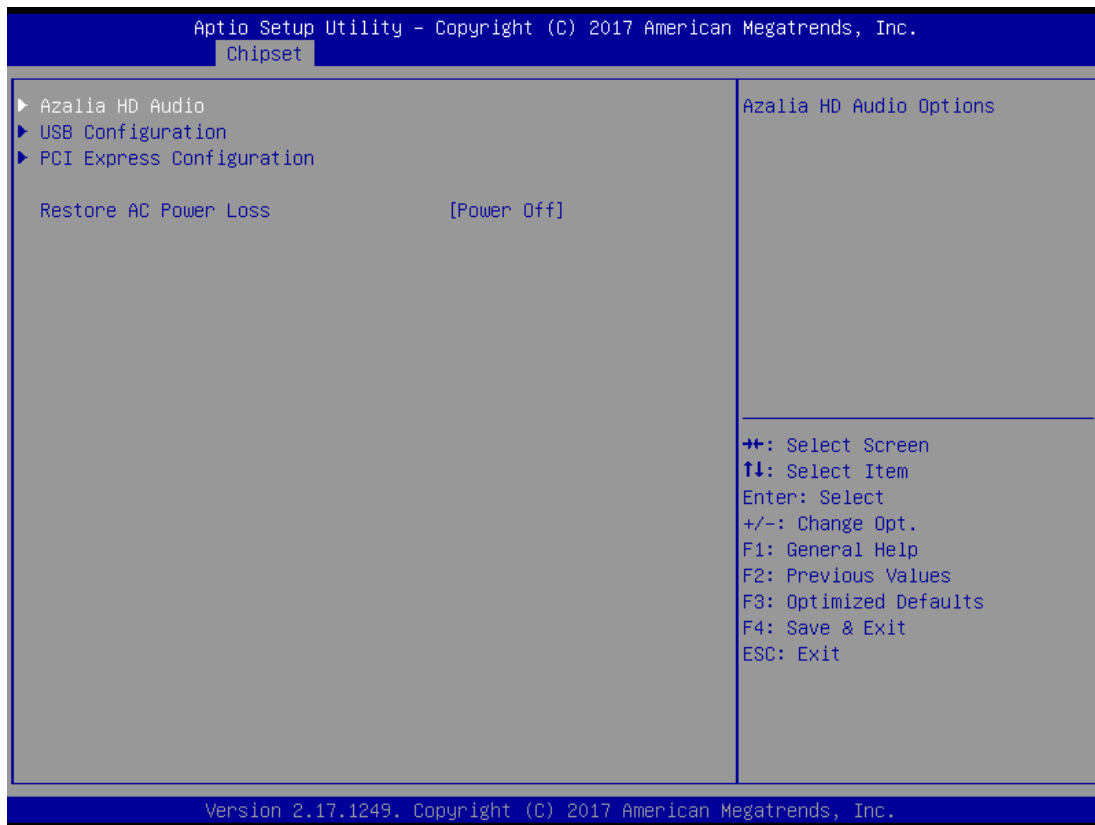
- **DVMT Total Gfx Mem**

This item selects DVMT5.0 Total Graphic Memory size used by the Internal Graphics Device. Select <128MB>, <256MB> or <Max>.

- **Aperture Size**

This item selects the Aperture Size. Select <128MB>, <256MB> or <512MB>.

5.4.2 South Bridge



■ Azalia HD Audio

Control detection of the Azalia device.

● Audio Controller

Enabled: Azalia will be unconditionally enabled.

Disabled: Azalia will be unconditionally disabled.

■ USB Configuration

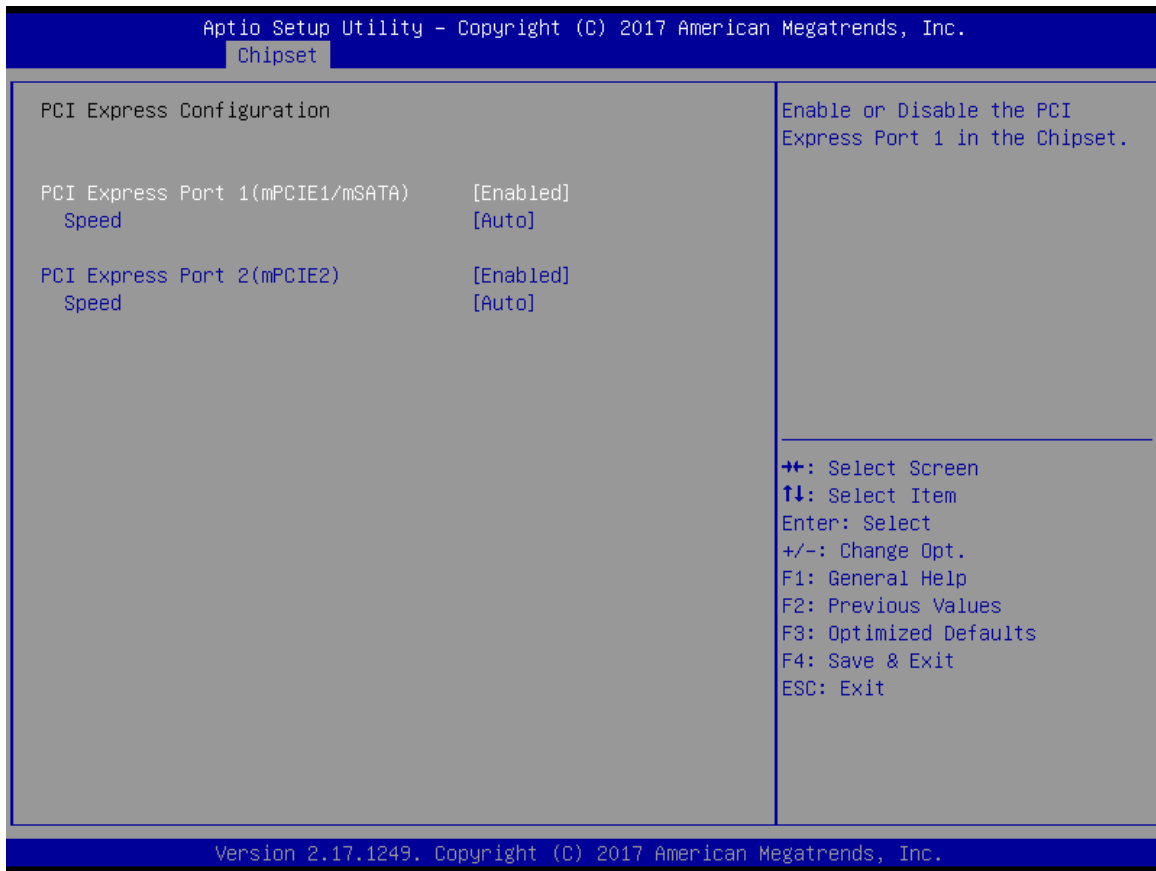
● XHCI Mode

This item allows you to enable or disable the USB XHCI controller.

● USB 2.0 (EHCI) Support

This item allows you to enable or disable the USB EHCI support.

■ PCI Express Configuration



- **PCI Express Port 1 (mPCIIE1/mSATA)**

This item allows you to enable or disable PCI Express Port 1 (Mpcie1/mSATA) in the Chipset.

- **Speed**

Change the PCIe Port Speed. Select <AUTO> ,<Gen 2> or <Gen 1>

- **PCI Express Port 2 (mPCIIE2)**

This item allows you to enable or disable PCI Express Port 2 (mPCIIE2) in the Chipset.

- **Speed**

Change the PCIe Port Speed. Select <AUTO> ,<Gen 2> or <Gen 1>

■ Restore AC Power Loss

This item specifies whether your system will reboot after a power failure or interrupt occurs.

Available settings are:

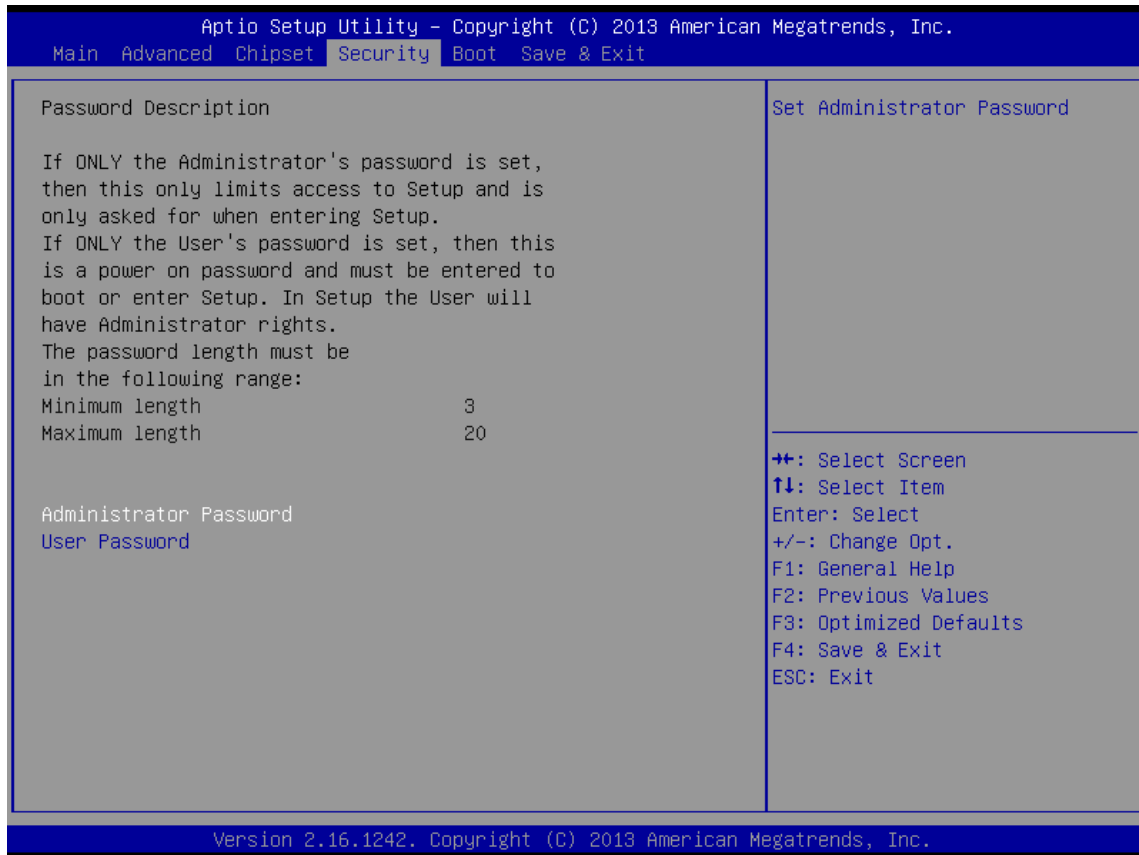
Power Off: Leave the computer in the power off state.

Power On: Leave the computer in the power on state.

Last State: Restore the system to the previous status before power failure or interrupt occurred.

5.5 Security

Security menu allow you to change administrator password and user password settings.



5.5.1 Administrator Password

This item allows you to set Administrator Password.

5.5.2 User Password

This item allows you to set User Password.

5.6 Boot

This menu allows you to setup the system boot options.



5.6.1 Setup Prompt Timeout

This item sets number of seconds to wait for setup activation key.

5.6.2 Bootup NumLock State

This item selects the keyboard NumLock state. Select <On> or <Off>.

5.6.3 Full Screen Logo Show

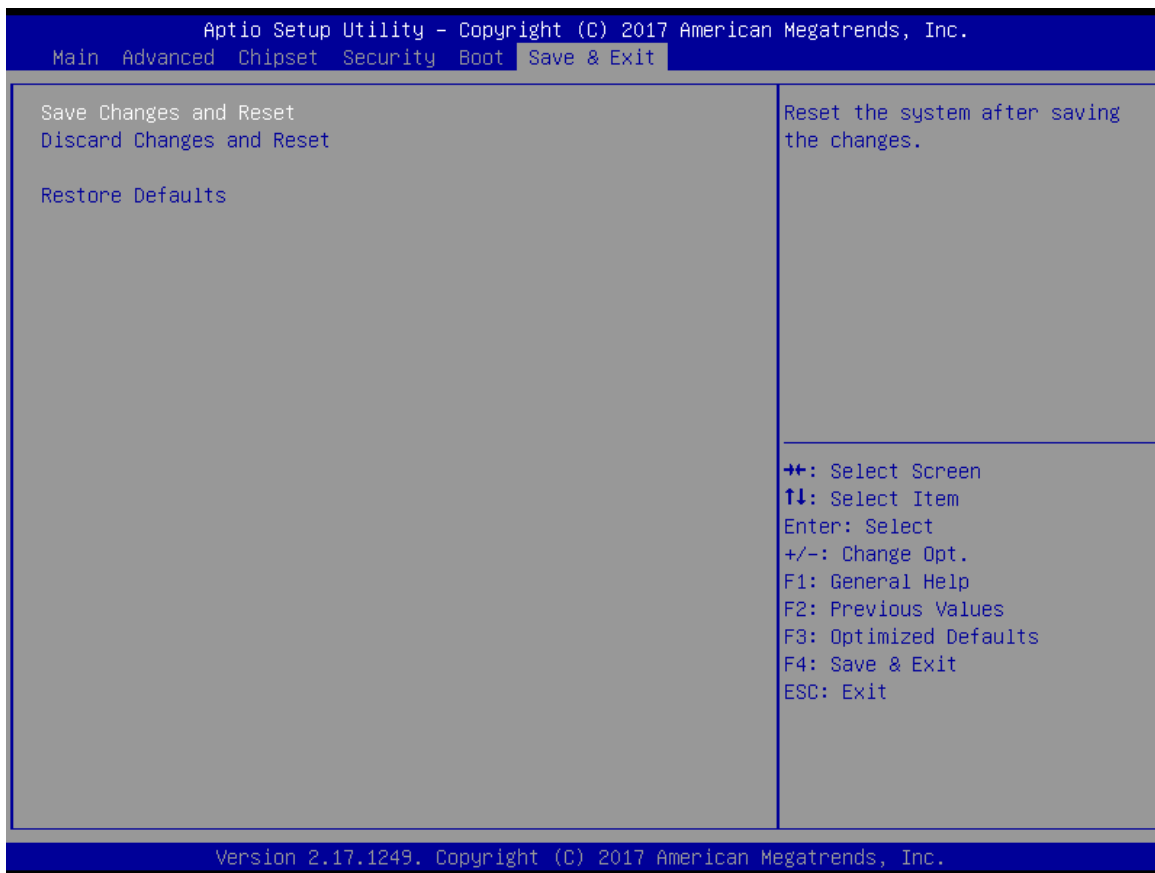
This item allows you to enable or disable Full Screen Logo Show function.

5.6.4 Boot Option Priorities

The items specify the boot device priority sequence from the available devices. The number of device items that appears on the screen depends on the number of devices installed in the system.

5.7 Save & Exit

This setting allows you to configure the boot settings.



5.7.1 Save Changes and Reset

This item allows you reset the system after saving the changes.

5.7.2 Discard Changes and Reset

Select this option to quit Setup without making any permanent changes to the system configuration.

5.7.3 Restore Defaults

This selection allows you to reload the BIOS when problem occurs during system booting sequence. These configurations are factory settings optimized for this system.

Appendix

WDT & GPIO & Mounting Guide

WDT Sample Code

Sample Code:

Set watchdog timer to 30 seconds

```
AddrPort =0x4e;
DataPort=0x4f;
SIO_UNLOCK_VALUE=0x87;
SIO_LOCK_VALUE=0xaa;
WATCHDOG_LDN=0x07;
WDT_UNIT=0x60; // 0x60=sec, 0x68=min, 0x40=disable watchdog timer
WDT_TIMER= 30;

// Set watchdog timer to 30 seconds
// enable config mode, switch WDT configuration
WriteByte(AddrPort, SIO_UNLOCK_VALUE);
usleep(4000); //delay
WriteByte(AddrPort, SIO_UNLOCK_VALUE);
WriteByte(AddrPort, 0x07);
WriteByte(DataPort, WATCHDOG_LDN);

// activate wdt
WriteByte(AddrPort, 0x30);
data=ReadByte(DataPort);
data=data|0x01;
WriteByte(DataPort, data);

// set timer value
WriteByte(AddrPort, 0xf6);
WriteByte(DataPort, WDT_TIMER);

// set unit
WriteByte(AddrPort, 0xf5);
WriteByte(DataPort, WDT_UNIT);

// enable reset
WriteByte(AddrPort, 0xfa);
data=ReadByte(DataPort);
data=data|0x01;
WriteByte(DataPort, data);

// close config mode
WriteByte(AddrPort, SIO_LOCK_VALUE);
```

GPIO Sample Code

● GPI 0 ~ GPI 3

	GPI 0	GPI 1	GPI 2	GPI 3
IO Address	0xA03	0xA03	0xA03	0xA03
Bit	4	5	6	7
Sample code	#1			

● GPO 0 ~ GPO 3

	GPO 0	GPO 1	GPO 2	GPO 3
IO Address	0xA02	0xA02	0xA02	0xA02
Bit	0	1	2	3
Sample code	#2			

Sample Code:

```
GPI_REG = 0xA03;
GPO_REG = 0xA02;
GPO_0 = 0x01; //bit0 is 1
```

```
#1 : Get GPI 0 status
// Get GPI 0 Pin Status
data=ReadByte(GPI_REG); // data bit4 is GPI 0 status
```

```
#2 : Set GPO 0 status to high
// Set GPO 0 Pin to High
data=ReadByte(GPO_REG);
data |= GPO_0;
WriteByte(GPO_REG, data); //data bit0 set GPO 0 status to high
```

● GPI 4 ~ GPI 7

	GPI 4	GPI 5	GPI 6	GPI 7
IO Address	0xA06	0xA06	0xA06	0xA06
Bit	0	1	2	3
Sample code	#3			

● GPO 4 ~ GPO 7

	GPO 4	GPO 5	GPO 6	GPO 7
IO Address	0xA06	0xA07	#5	0xA04
Bit	4	7	0	7
Sample code	#4		#5	

Sample Code:

```
GPI_REG = 0xA06;
GPO_REG = 0xA06;
GPO_4 = 0x10; //bit4 is 1
```

```
#3 : Get GPI 4 status
// Get GPI 4 Pin Status
data=ReadByte(GPI_REG); // data bit0 is GPI 4 status
```

```
#4 : Set GPO 4 status to high
// Set GPO 4 Pin to High
data=ReadByte(GPO_REG);
data |= GPO_4;
WriteByte(GPO_REG, data); //data bit4 set GPO 4 status to high
```

#5 : Set GPO 6 status to high

Ps. GPO 6 must be accessed by gpio configuration (IO address is protected)

```
AddrPort =0x4e;
DataPort=0x4f;
SIO_UNLOCK_VALUE=0x87;
SIO_LOCK_VALUE=0xaa;
SIO_LDN_GPIO =0x06;
GPO_REG=0xd1;
GPO_6 =0x01; //bit0 is 1
```

```
// enable config mode, switch GPIO configuration
WriteByte(AddrPort, SIO_UNLOCK_VALUE);
usleep(4000); //delay
WriteByte(AddrPort, SIO_UNLOCK_VALUE);
WriteByte(AddrPort, 0x07);
WriteByte(DataPort, SIO_LDN_GPIO);
```

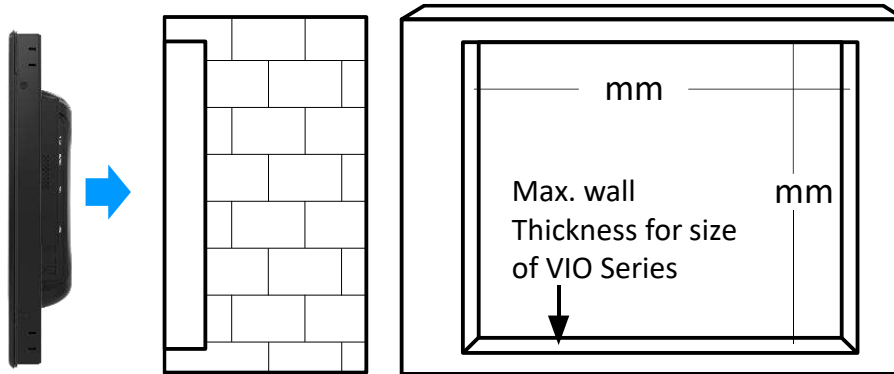
```
// Set GPO 6 Pin to high
WriteByte(AddrPort, GPO_REG);
data=ReadByte(DataPort);
data=data| GPO_6;
WriteByte(DataPort, data); // data bit0 set GPO 6 status to high
```

```
// close config mode
WriteByte(AddrPort, SIO_LOCK_VALUE);
```

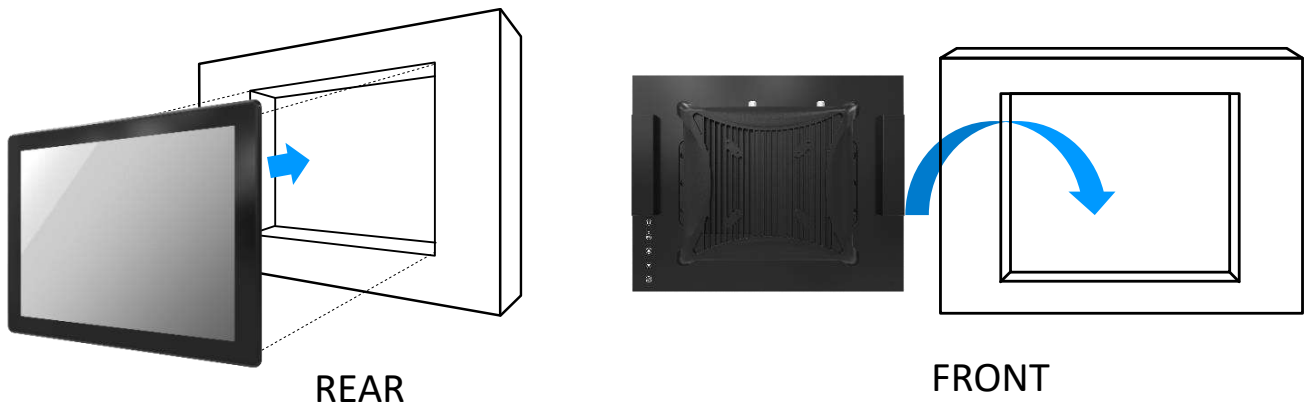
Mounting Guide

Flush Mount / Panel Mount:

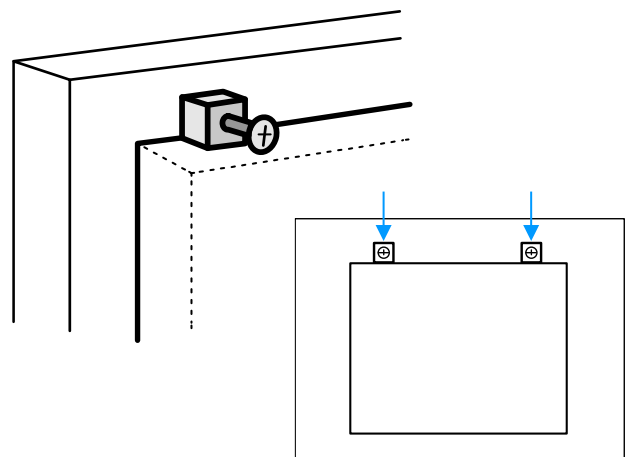
- Cut hole in the wall w/ dimensions according to the screen size you have purchased. Please refer to the next page for the list of cutout dimensions and max wall depths



- From the FRONT of the wall, place the VIO Panel PC with its rear (display screen forward) into the measured cutout hole.



- Install the mounting clips around the VIO and screw them in to secure against the wall. If the wall's thickness is greater than maximum wall thickness allowed, the clips will not fit. Please refer to the next page for the list of max wall depths



VIO-100(200) / PC100(PC110) Series

Model	Wall Cut-Out (W x H) Unit: mm	Max Wall Thickness (mm)
VIO-110R(C) / PC100(PC110)	292 x 229	7.5
VIO-212R(C) / PC100(PC110)	310 x 249	8
VIO-215R(C) / PC100(PC110)	368 x 292.5	10
VIO-217R(C) / PC100(PC110)	400 x 331.5	13
VIO-219R(C) / PC100(PC110)	442 x 367	14
VIO-W215R(C) / PC100(PC110)	389.5 x 238.5	10.5
VIO-W221R(C) / PC100(PC110)	519.5 x 315	11
VIO-W224R(C) / PC100(PC110)	580 x 352	11

